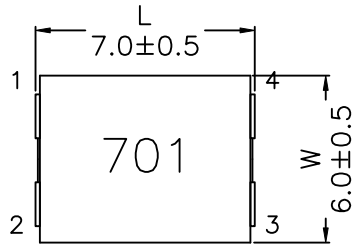
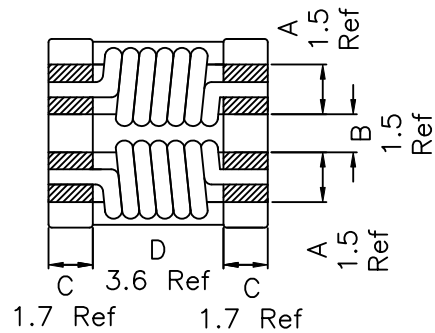
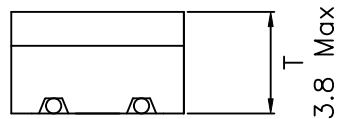
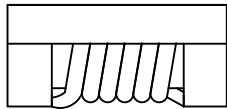


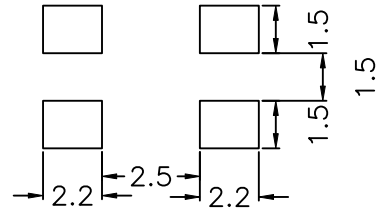
1. Mechanical Dimensions:



Top view

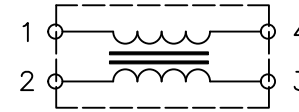


Bottom view



PCB layer

2. Schematic:



3. Electrical Specifications: @25C

Impedance: 700 Ohms Typ 500 Ohms Min @100MHz

Q: 8 Min @100KHz 0.1V

DCR: 15 mOhms Max

Rated Current: 4A_{dc}

Insulation resistance: 10 MOhms Min

Rated voltage: 80V

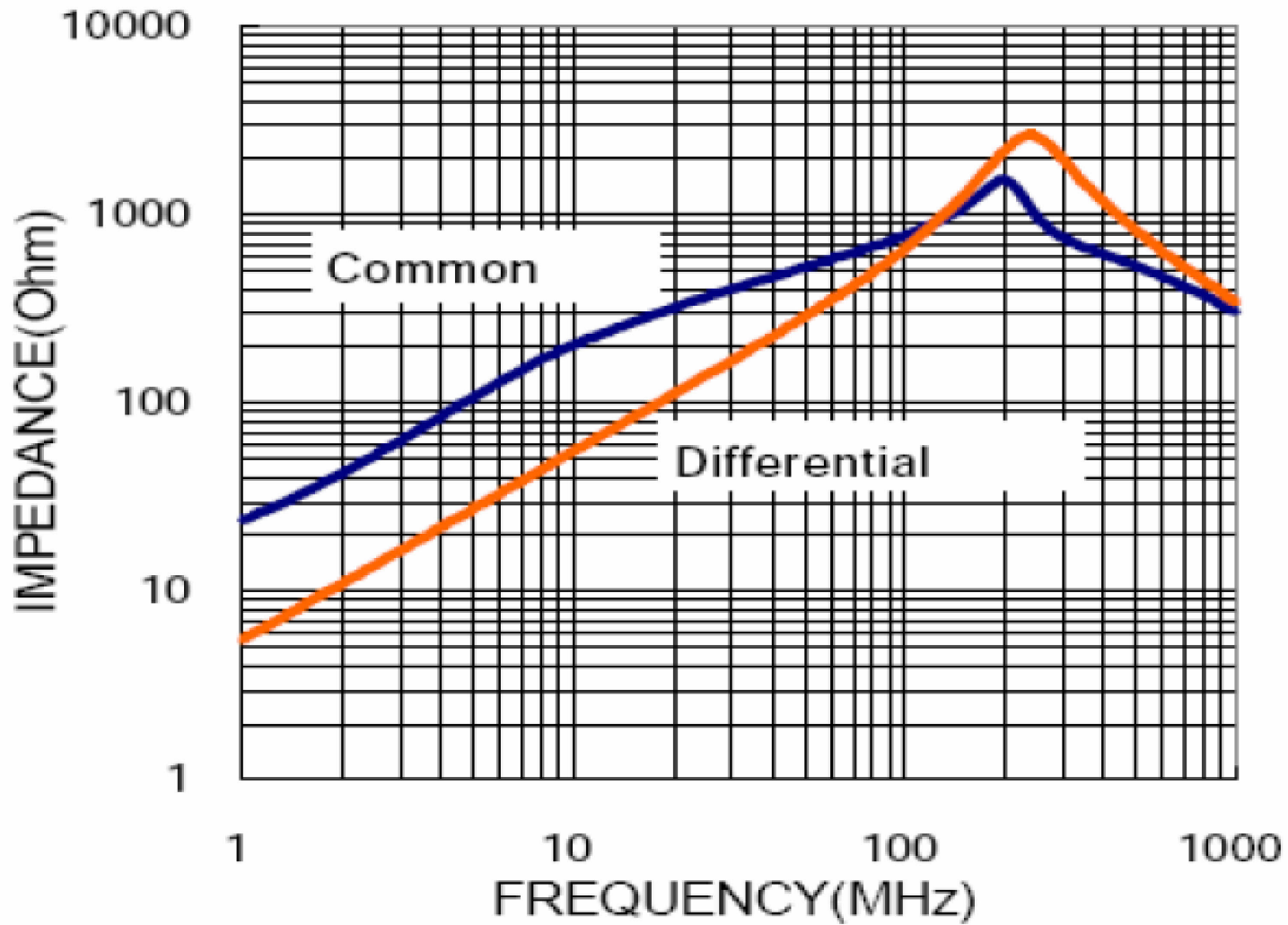
SRF: 180MHz Min

Notes:

1. Solderability: Leads shall meet MIL-STD-202G, Method 208H for solderability.
2. Flammability: UL94V-0
3. ASTM oxygen index: > 28%
4. Insulation System: Class F 155°C. UL file E151556
5. Operating Temperature Range: All listed parameters are to be within tolerance from -40°C to +125°C unless otherwise noted
6. Storage Temperature Range: -55°C to +125°C
7. Aqueous wash compatible
8. SMD Lead Coplanarity: ±0.004"(0.102mm)
9. Electrical and mechanical specifications 100% tested
10. RoHS Compliant Component
11. Outsourced item processed & controlled under XFMRs QA system

DOC. REV: A/8

XFMRs® www.XFMRs.com		Title: Common Mode Choke	
UNLESS OTHERWISE SPECIFIED TOLERANCES: .xx ±0.20 Dimensions in MM	P/N: XFWCMC706035-701		REV A
	DWN.	Xiang	Apr-13-20
	CHK.	YK Liao	Apr-13-20
SHEET 1 OF 2		APP.	TCH Apr-13-20

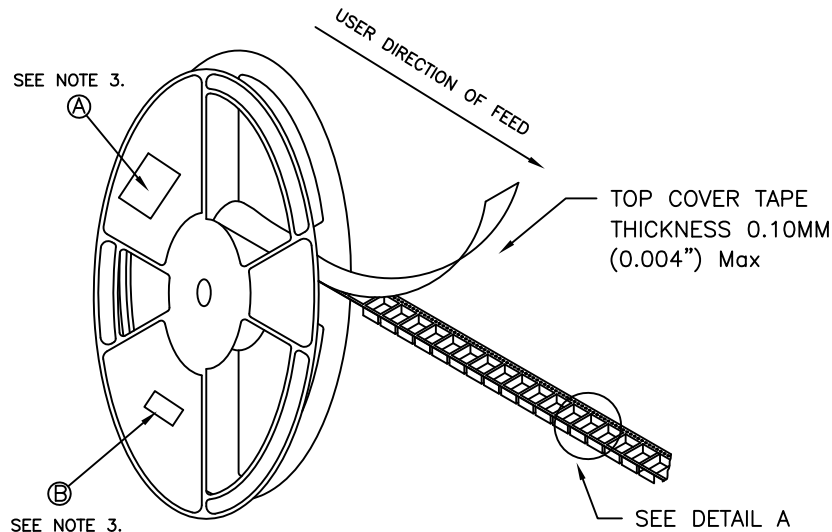


DOC. REV: A/8

XFMRs® www.XFMRs.com		Title: Common Mode Choke	
UNLESS OTHERWISE SPECIFIED TOLERANCES: .xx ±0.20 Dimensions in MM		P/N: XFWCMC706035-701	REV A
		DWN. Xiang	Apr-13-20
SHEET 2 OF 2		CHK. YK Liao	Apr-13-20
		APP. TCH	Apr-13-20

PROPRIETARY Document is the property of XFMRs Group & is not allowed to be duplicated without authorization.

TAPE AND REEL SPECIFICATION:



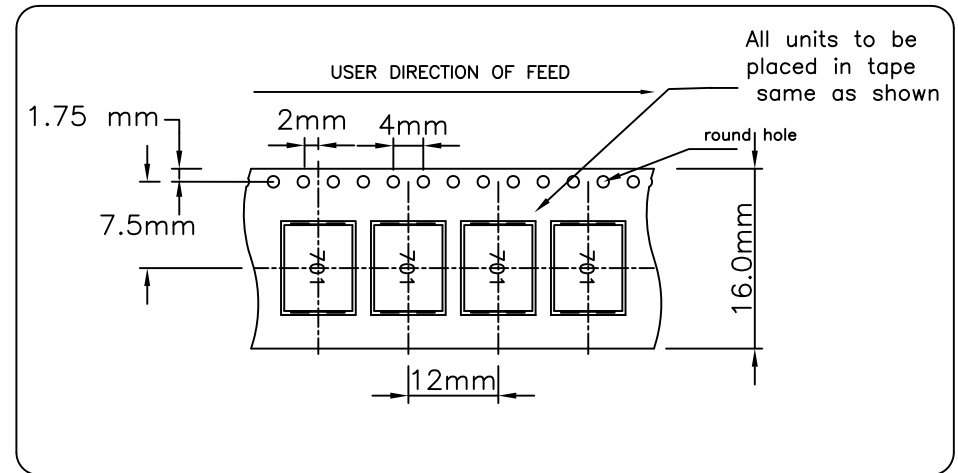
REEL AND TAPE ORIENTATION

13" REEL DIAMETER

NOTES:

- 1) PROCESS IN ACCORDANCE WITH EIA-481-2 STANDARDS
 - * TAPE LEADER DIMENSION 15.30" MIN.
 - * TAPE TRAILER DIMENSION 6.30" MIN.
- 2) PARTS SHOULD BE PACKAGED IN ACCORDANCE WITH ESD GUIDELINES IN EIA-541.
- 3) REEL LABEL: 'A' * PART NUMBER
 - * QUANTITY
 - * DATE CODE
- 4) 1500PCS PER 13" REEL

DETAIL A



DOC REV: A/1

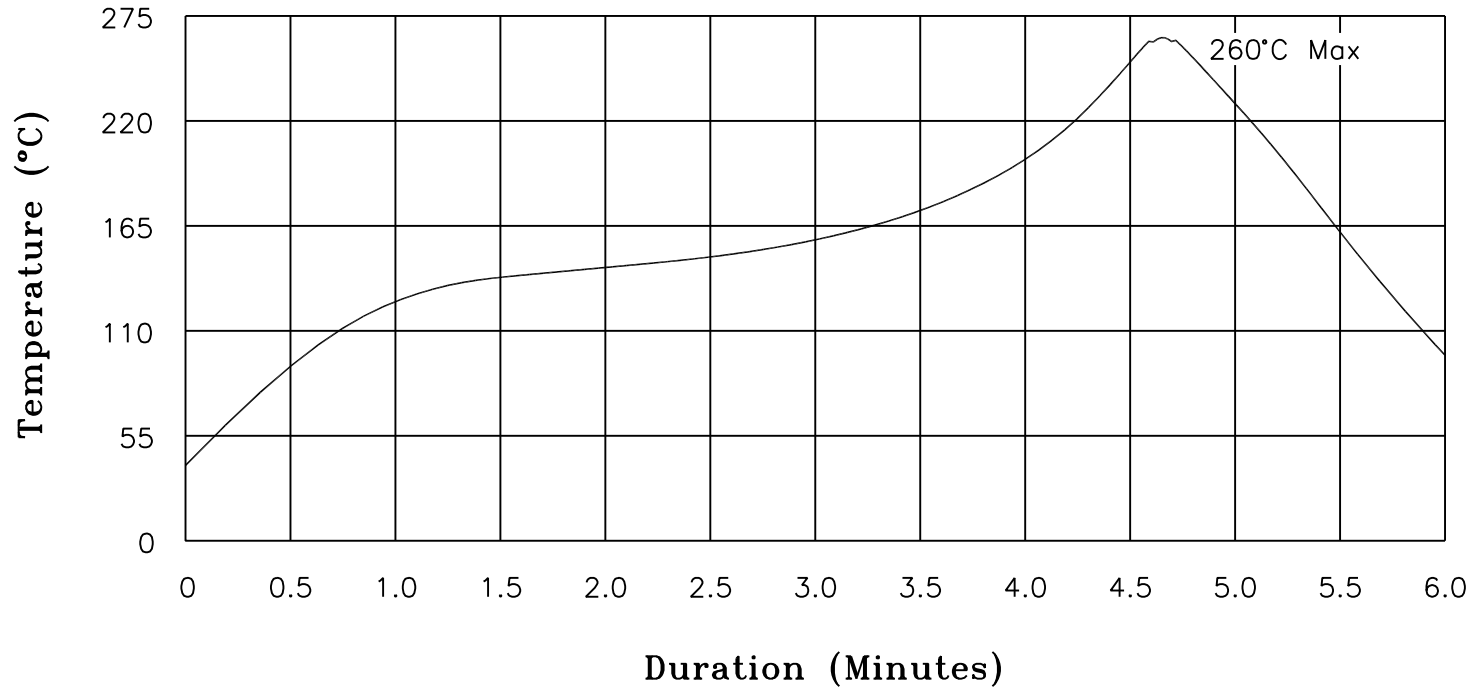
XFMRs Inc	Title: T&R SPEC		
	UNLESS OTHERWISE SPECIFIED TOLERANCES: .xxs ±xxxxx Dimensions in mm		P/N:XFWCMC706035-XXX
SHT 2 OF 2	DWN.	Kong	May-25-16
	CHK.	YK Liao	May-25-16
	APP.	GL	May-25-16

PROPRIETARY

Document is the property of XFMRs Group & is allowed to be duplicated without authorization.

XFMRs

Recommended Infrared Reflow Temperature Profile for RoHS Compliant Parts



NOTES: Maximum duration at 260°+0/-5° shall be 10-15 seconds.
 Maximum duration above 217° shall be 60-150 seconds.
 ALL Temperatures refer to topside of the package, measured on the package body surface.

XFMRs Inc www.XFMRs.com	Title: IR REFLOW CHART (RoHS Compliant parts)		
	UNLESS OTHERWISE SPECIFIED TOLERANCES: N/A	P/N: N/A	REV. A
	DWN.	Juan Mao	Jan-16-05
	CHK.	YK Liao	Jan-16-05
SHEET 1 OF 1	APP.	MS	Jan-16-05

PROPRIETARY Document is the property of XFMRs Group & is not allowed to be duplicated without authorization.