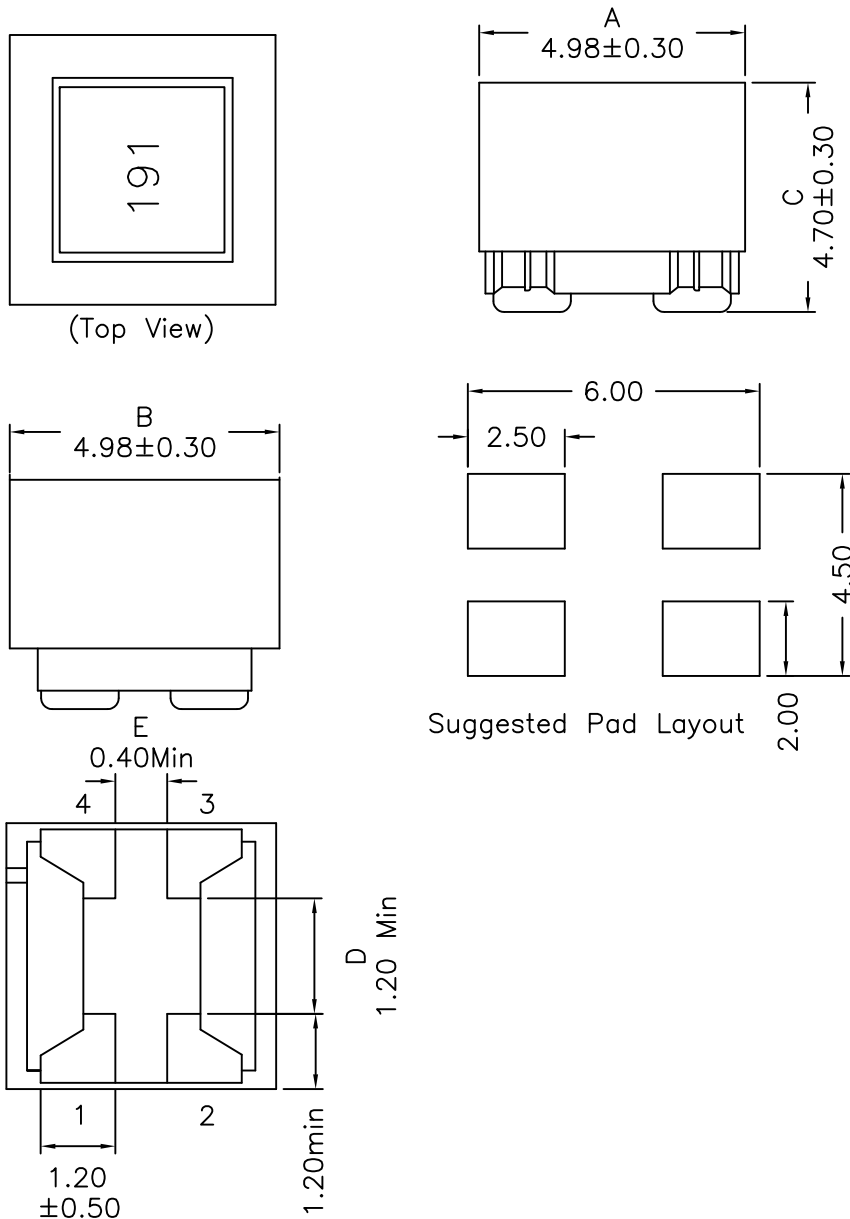
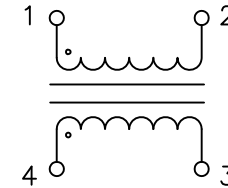


1. Mechanical Dimensions:



2. Schematic:



3. Electrical Specification: @25°C

Common Mode Impedance: 190 Ohms Typ @100MHz
 Rated Current: 5000mAac
 Rated Voltage: 50Vdc
 Insulation Resistance: 10 MOhms min
 Withstand Voltage: 125Vdc
 DC Resistance: 0.020 Ohms Max, Each Wdg

Notes:

- Solderability: Leads shall meet MIL-STD-202G, Method 208H for solderability.
- Flammability: UL94V-0
- ASTM oxygen index: > 28%
- Insulation System: Class F 155°C. UL file E151556
- Operating Temperature Range: All listed parameters are to be within tolerance from -40°C to +125°C (temp rise included)
- Storage Temperature Range: -55°C to +125°C
- Aqueous wash compatible
- SMD Lead Coplanarity: $\pm 0.004''$ (0.102mm)
- Electrical and mechanical specifications 100% tested
- RoHS Compliant Component

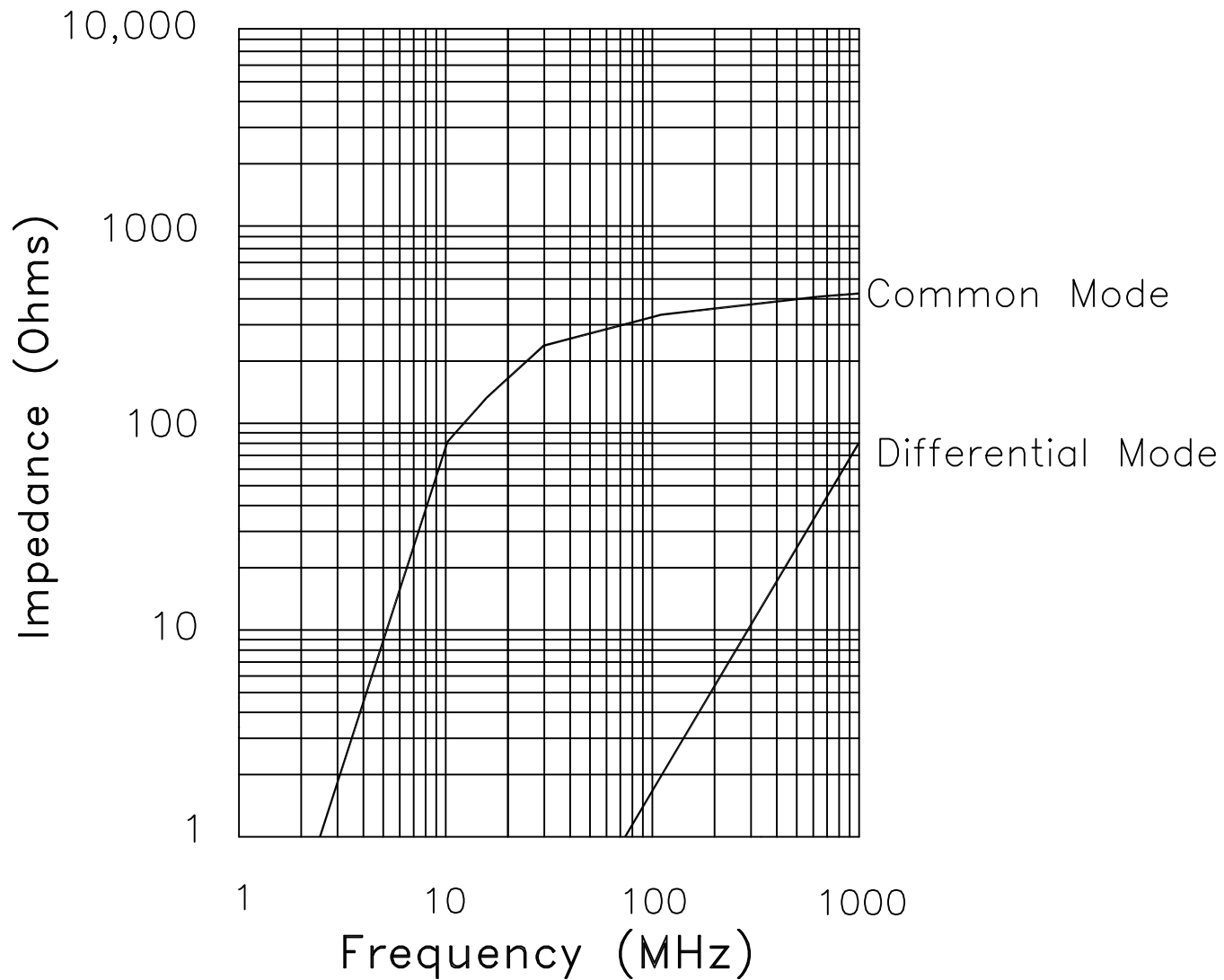
DOC. REV: A/9

XFMRs Inc www.XFMRs.com	Title: EMI filter		
UNLESS OTHERWISE SPECIFIED TOLERANCES: .xx ± 0.25 . Dimensions in MM	P/N: XFWCMC636347-191	Rev. A	
	DWN.	Yuan	May-02-19
	CHK.	YK Liao	May-02-19
SHEET 1 OF 2	APP.	BSJ	May-02-19

PROPRIETARY

Document is the property of XFMRs Group & is not allowed to be duplicated without authorization.

Impedance Curves



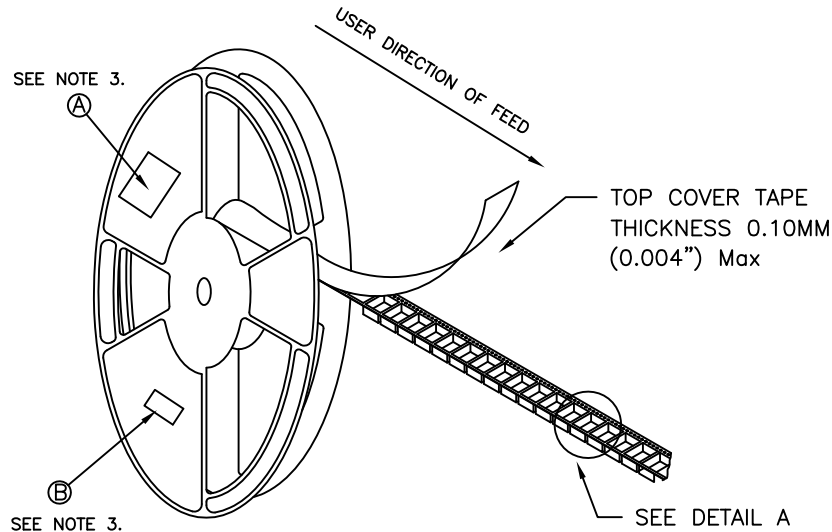
DOC. REV: A/9

XFMRs Inc www.XFMRs.com	Title: EMI filter		
	UNLESS OTHERWISE SPECIFIED		P/N: XFwCMC636347-191
TOLERANCES: .xx ±0.25. Dimensions in MM	DWN.	Yuan	May-02-19
	CHK.	YK Liao	May-02-19
SHEET 2 OF 2	APP.	BSJ	May-02-19

PROPRIETARY

Document is the property of XFMRs Group & is not allowed to be duplicated without authorization.

TAPE AND REEL SPECIFICATION:



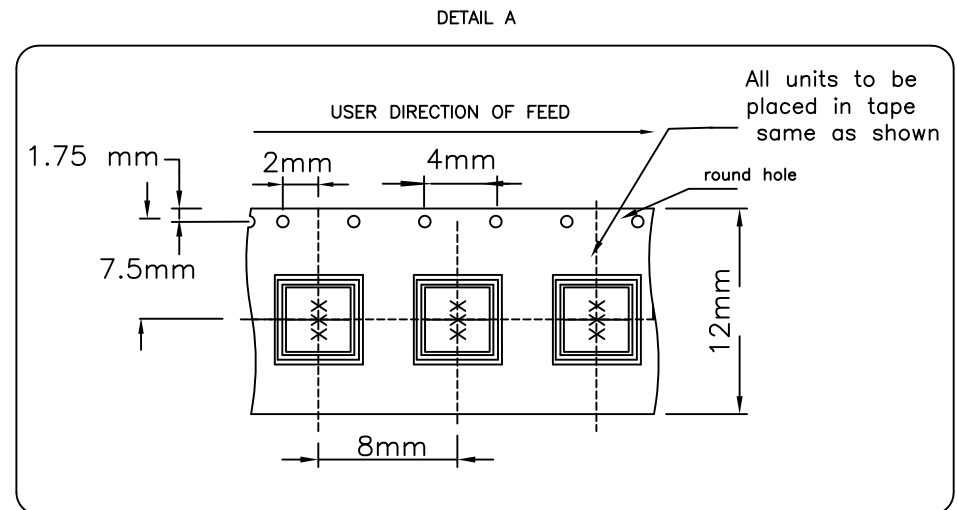
REEL AND TAPE ORIENTATION

13" REEL DIAMETER

FOR XFWCMC636347 SERIES

NOTES:

- 1) PROCESS IN ACCORDANCE WITH EIA-481-2 STANDARDS
 - * TAPE LEADER DIMENSION 15.30" MIN.
 - * TAPE TRAILER DIMENSION 6.30" MIN.
- 2) PARTS SHOULD BE PACKAGED IN ACCORDANCE WITH ESD GUIDELINES IN EIA-541.
- 3) REEL LABEL: 'A' * PART NUMBER
 - * QUANTITY
 - * DATE CODE
 'B'- ANTI-STATIC CAUTION LABEL
- 4) 1000PCS PER 13"REEL



DOC REV:A/2

XFMRs Inc	Title: T&R SPEC		
	UNLESS OTHERWISE SPECIFIED	P/N:XFWCMC636347 SERIES	REV: A
	TOLERANCES: .xxs ±xxxxx	DWN. Kong	Aug-30-07
	Dimensions in mm	CHK. YK Liao	Aug-30-07
SHT 2 OF 2	APP. MS	Aug-30-07	