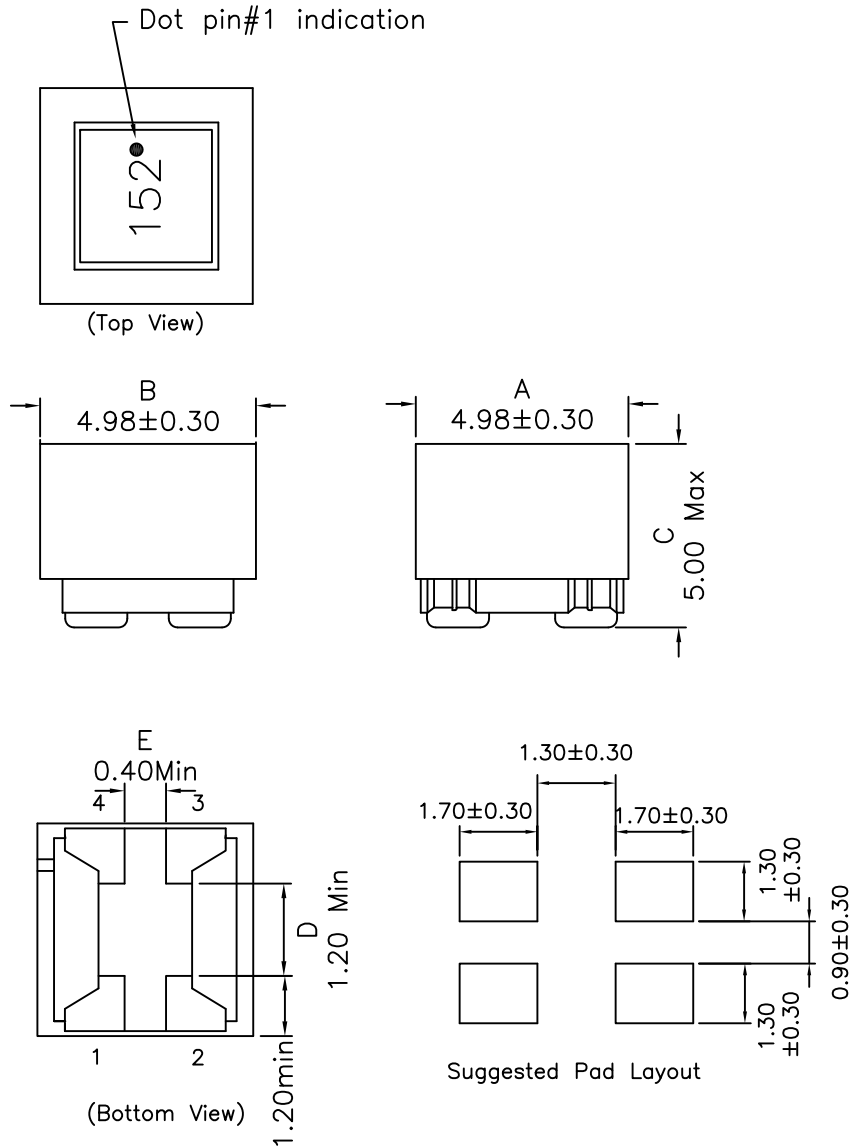
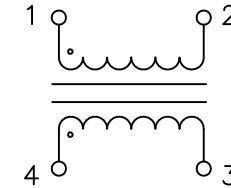


1. Mechanical Dimensions:



2. Schematic:



3. Electrical Specification: @25°C

Common Mode Impedance: 1500 Ohms Typ @100MHz
 Rated Current: 1000mA
 Rated Voltage: 50Vdc
 Insulation Resistance: 10 MOhms min
 Withstand Voltage: 125Vdc
 DC Resistance: 0.10 Ohms Max, Each Wdg

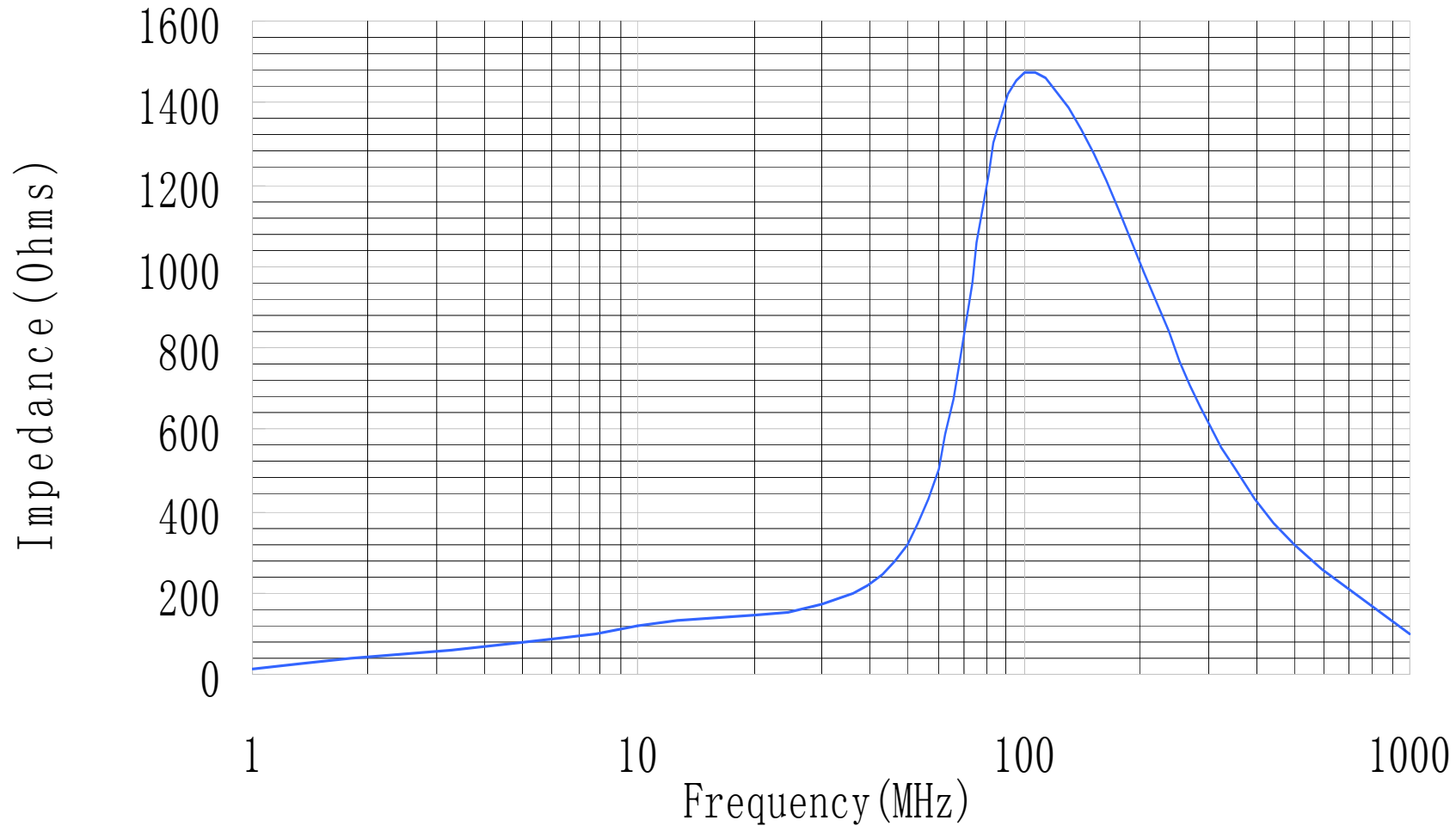
Notes:

1. Solderability: Leads shall meet MIL-STD-202G, Method 208H for solderability.
2. Flammability: UL94V-0
3. ASTM oxygen index: > 28%
4. Insulation System: Class F 155°C. UL file E151556
5. Operating Temperature: -40°C to +85°C
6. Storage Temperature Range: -55°C to +125°C
7. Aqueous wash compatible
8. SMD Lead Coplanarity: 0.004"(0.102mm) Max
9. Electrical and mechanical specifications 100% tested
10. RoHS Compliant Component
11. Recommended IR Reflow peak temp of 250°C Max.

DOC REV: A/9

XFMRs Inc www.XFMRs.com	Title: EMI filter		
	UNLESS OTHERWISE SPECIFIED	P/N: XFwCMC636347-152	Rev. A
TOLERANCES: .xx ±0.25.	DWN.	Huo	Nov-16-17
Dimensions in MM	CHK.	YK Liao	Nov-16-17
SHEET 1 OF 2	APP.	BW	Nov-16-17

Impedance & Frequency graph



DOC REV: A/9

XFMRs Inc www.XFMRS.com	Title: EMI filter		
	UNLESS OTHERWISE SPECIFIED TOLERANCES: .xx ±0.25. Dimensions in MM		P/N: XFWCMC636347-152
SHEET 2 OF 2	DWN.	Huo	Nov-16-17
	CHK.	YK Liao	Nov-16-17
	APP.	BW	Nov-16-17

PROPRIETARY

Document is the property of XFMRs Group & is not allowed to be duplicated without authorization.