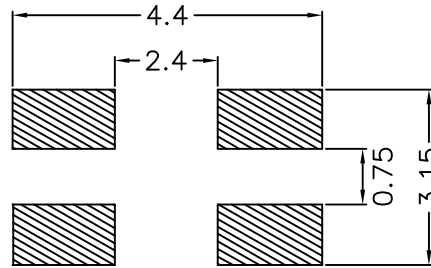
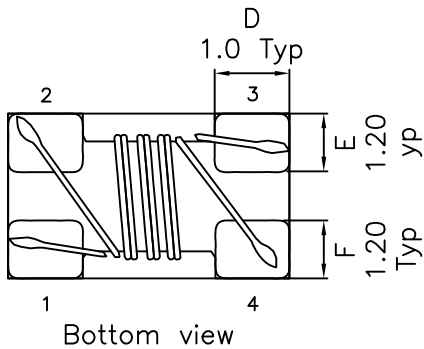
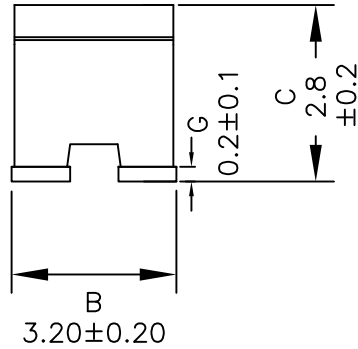
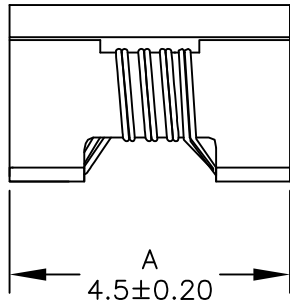


## 1. Mechanical Dimensions:



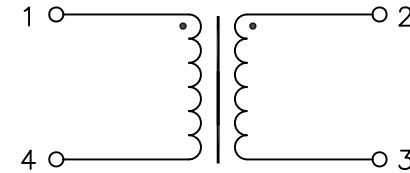
Suggested PCB Layout

### Notes:

1. Solderability: Leads shall meet MIL-STD-202G, Method 208H for solderability.
2. Flammability: UL94V-0
3. ASTM oxygen index: > 28%
4. Insulation System: Class F 155°C. UL file E151556
5. Operating Temperature Range: All listed parameters are to be within tolerance from -25°C to +125°C
6. Storage Temperature Range: -40°C to +85°C
7. Aqueous wash compatible
8. SMD Lead Coplanarity: ±0.004"(0.102mm)
9. Electrical and mechanical specifications 100% tested
10. RoHS Compliant Component
11. Recommended IR Reflow peak temp of 250°C Max.

DOC. REV: A/-

## 2. Schematic:



## 3. Electrical Specifications: @25°C

Common Mode Impedance: 1900 Ohms @ 100MHz

OCL: 100.0uH +50%/-30% 100KHz, 0.1V each wdg

DCR: 2.0 Ohms Max (Each Wdg)

Rated Current: 200mA dc Max

Rated Voltage: 50Vdc Typ

Insulation Resistance: 10 MOhms Min.

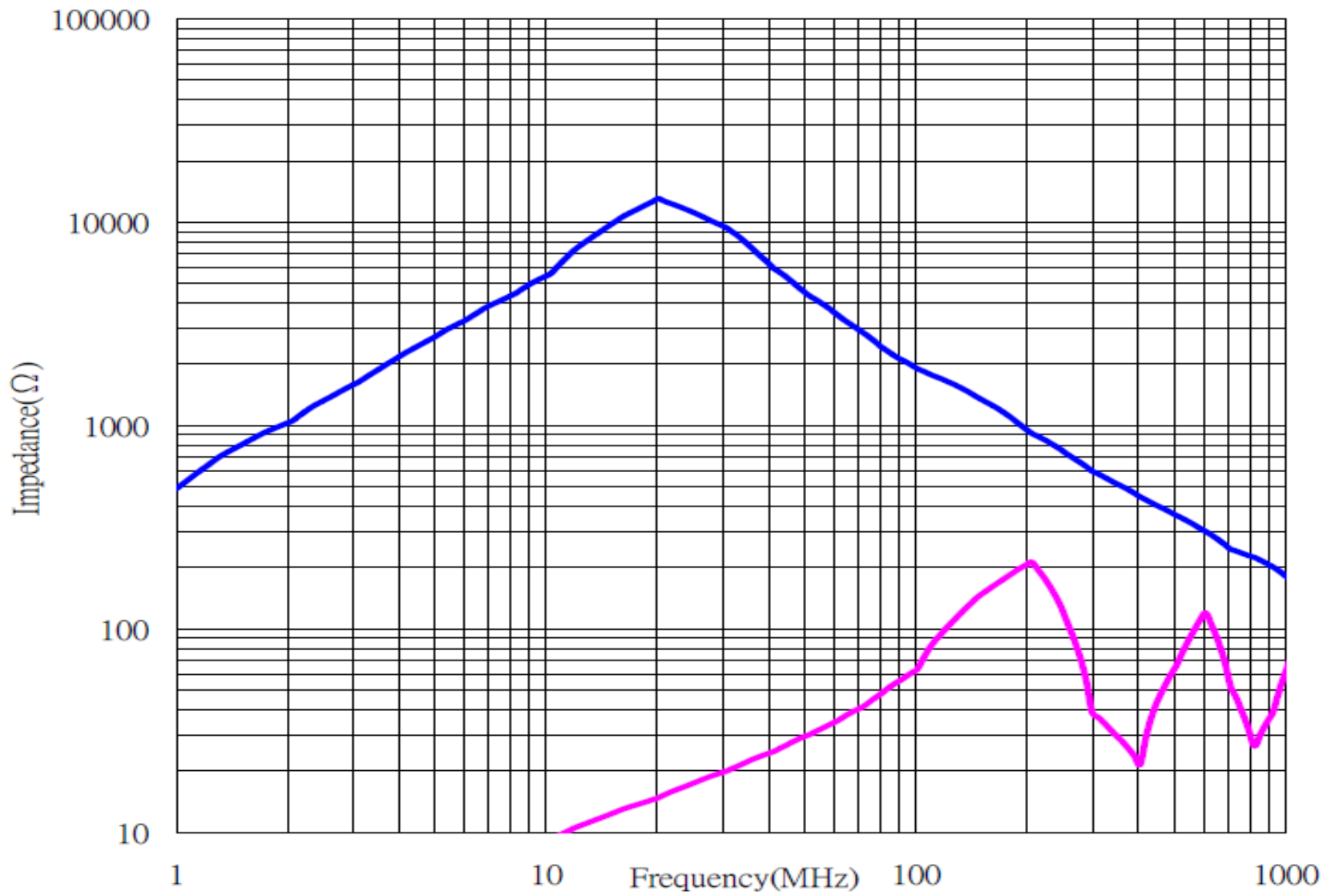
Withstand Voltage: 125Vdc

**PRELIMINARY**

<b>XFMRs Inc</b> <a href="http://www.XFMRs.com">www.XFMRs.com</a>	Title: Common Mode Choke		
	UNLESS OTHERWISE SPECIFIED TOLERANCES: .xx ±0.25 Dimensions in MM	P/N: XFWCMC4532A-101	REV. A
SHEET 1 OF 2	DWN.	Yuan	Jul-12-16
	CHK.	YK Liao	Jul-12-16
	APP.	GL	Jul-12-16

**PROPRIETARY**

Document is the property of XFMRs Group & is not allowed to be duplicated without authorization.



DOC. REV: A/-

<b>XFMRs Inc</b> www.XFMRS.com	Title: Common Mode Choke		
	P/N: XFWCMC4532A-101	REV. A	
UNLESS OTHERWISE SPECIFIED TOLERANCES: .xx ±0.25 Dimensions in MM	DWN.	Yuan	Jul-12-16
	CHK.	YK Liao	Jul-12-16
SHEET 2 OF 2	APP.	GL	Jul-12-16

**PROPRIETARY**

Document is the property of XFMRs Group & is not allowed to be duplicated without authorization.