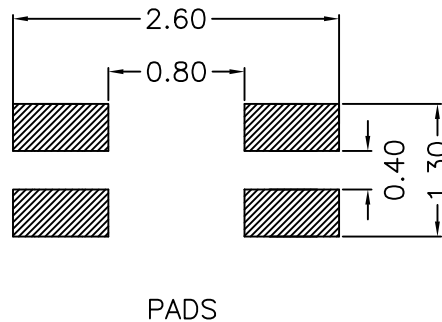
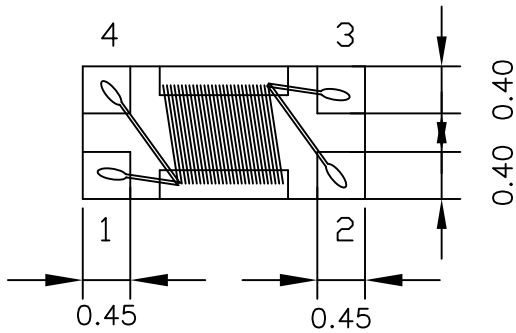
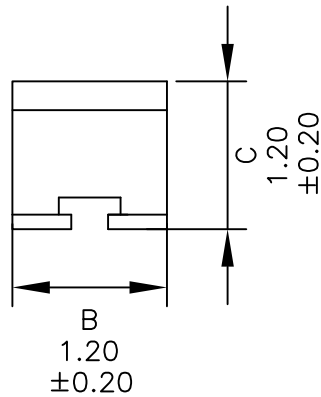
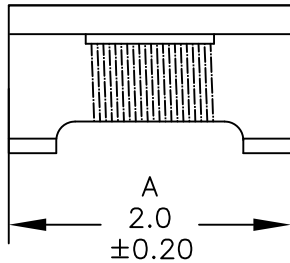
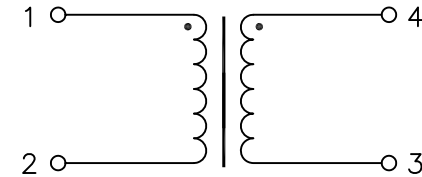


1. Mechanical Dimensions:



2. Schematic:



3. Electrical Specifications:

Common Mode Impedance: $42 \pm 20\% \Omega$ @ 100MHz
 Differential Mode impedance: 2.3dB @ 100MHz
 Rated Current: 500mA Max
 Rated Voltage: 50Vdc
 DCR: 0.12 Ohms Max each
 Withstand Voltage: 125Vdc

Notes:

1. Solderability: Leads shall meet MIL-STD-202G, Method 208H for solderability.
2. Flammability: UL94V-0
3. ASTM oxygen index: $> 28\%$
4. Insulation System: Class F 155°C. UL file E151556
5. Operating Temperature Range: All listed parameters are to be within tolerance from -40°C to $+85^\circ\text{C}$
6. Storage Temperature Range: -55°C to $+125^\circ\text{C}$
7. Aqueous wash compatible
8. SMD Lead Coplanarity: $\pm 0.004'' (0.102\text{mm})$
9. Electrical and mechanical specifications 100% tested
10. RoHS Compliant Component

DOC. REV: A/1

XFMRs Inc www.XFMRS.com	Title: Common Mode Choke		
	UNLESS OTHERWISE SPECIFIED TOLERANCES: .xx ± 0.20 Dimensions in MM	P/N: XFWCMC201213-420	REV A
Scale 2.5:1 SHT 1 OF 1	DWN.	Xiany	Mar-08-16
	CHK.	YK Liao	Mar-08-16
	APP.	GL	Mar-08-16