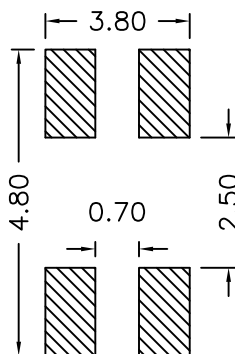
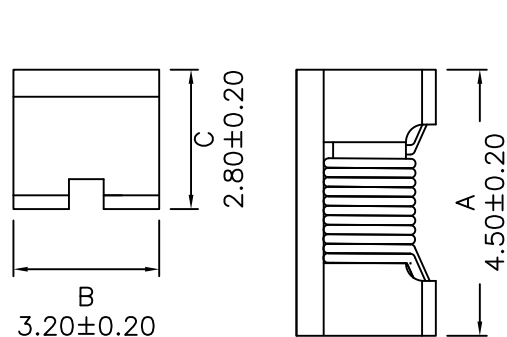


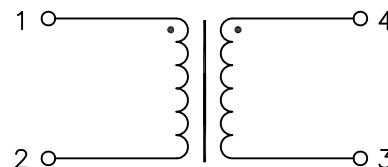
XFWACT453228 Series

Mechanical Dimensions:



Pad layout

Schematic:



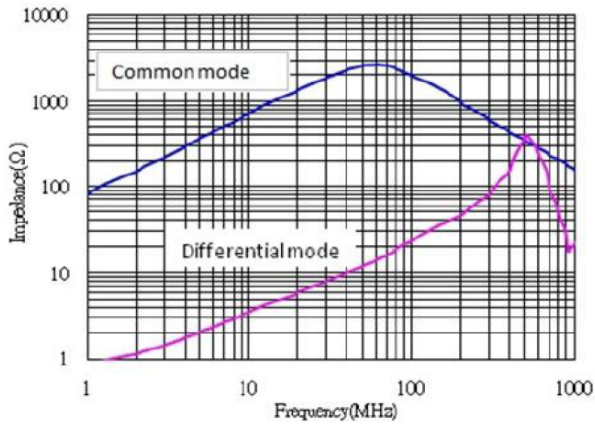
.xx ±0.25
Dimensions in MM

Part Number	Common Mode Inductance(uH) (+50%/-30%)	Rated Current (mA)	Rated Voltage (Vdc)	Insulation Resistance (M ohm)	Withstand Voltage (Vdc)	DCR (Max) (Ohm)
XFWACT453228-110	11uH @100KHz	250	50	10 Min	125	0.05
XFWACT453228-220	22uH @100KHz	200	50	10 Min	125	0.05
XFWACT453228-510	51uH @100KHz	200	50	10 Min	125	0.24
XFWACT453228-101	100uH @100KHz	150	50	10 Min	125	0.25

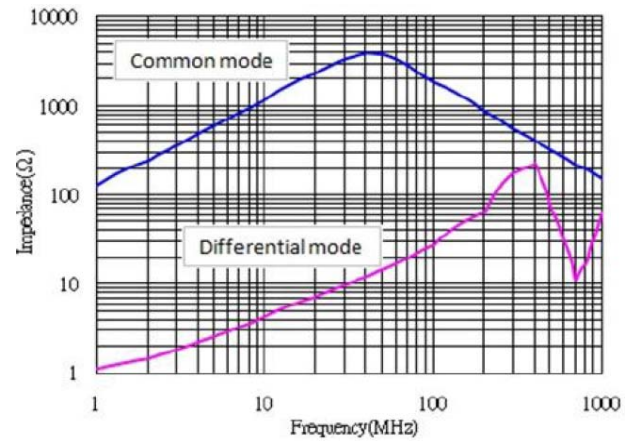
Notes:

- Solderability: Leads shall meet MIL-STD-202G, Method 208H for solderability.
- Flammability: UL94V-0
- ASTM oxygen index: > 28%
- Insulation System: Class F 155°C. UL file E151556
- Operating Temperature: -40°C to +125°C
- Storage Temperature Range: -55°C to +125°C
- Aqueous wash compatible
- SMD Lead Coplanarity: 0.004"(0.102mm) Max
- Electrical and mechanical specifications 100% tested
- RoHS Compliant Component
- Recommended IR Reflow peak temp of 260°C Max.
- Outsourced item processed & controlled under XFMRs QA system
- Measurement ambient temperature of electrical: at 20°C

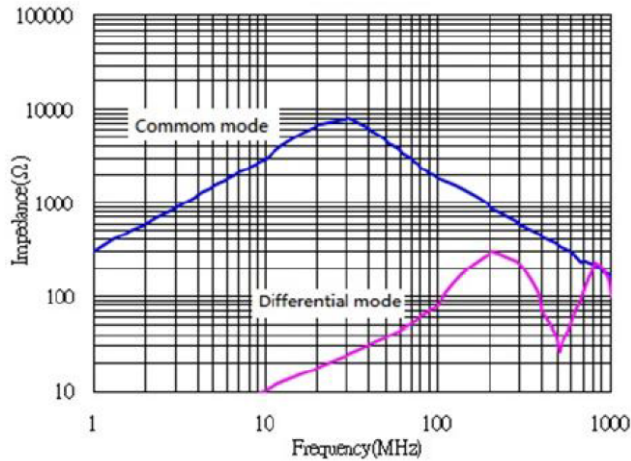
XFWACT453228-110



XFWACT453228-220



XFWACT453228-510



XFWACT453228-101

