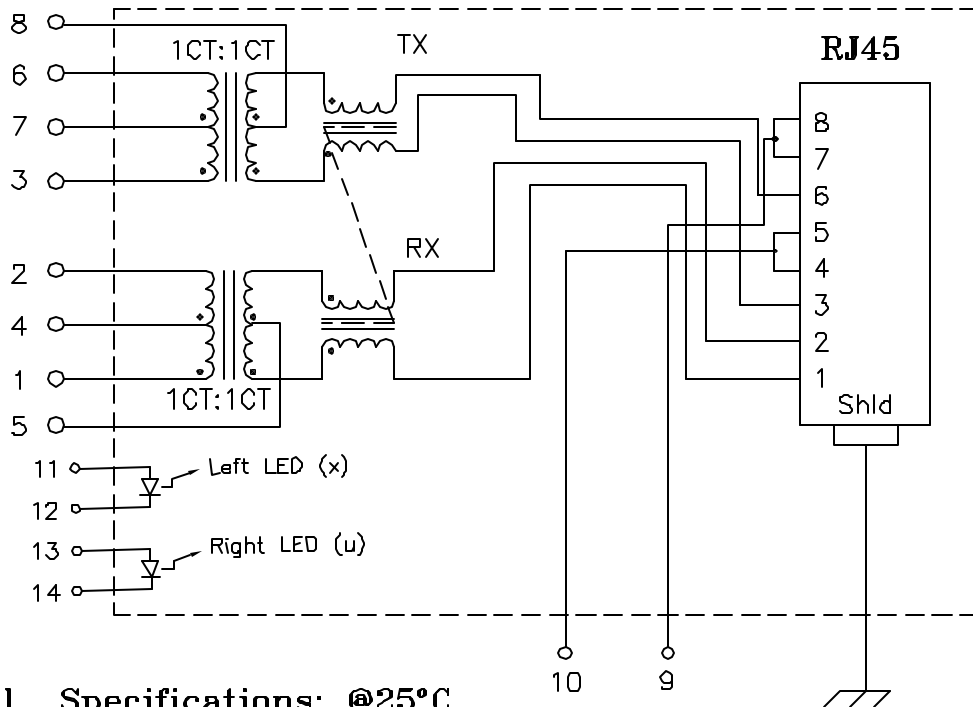


**Schematic:**



**Electrical Specifications: @25°C**

Isolation Voltage: 1500 Vrms (Input to Output)

Isolation Voltage: 500 Vrms (P1+2+4 to P3+6+7)

Q:18 Min 100Khz 0.1V

Turns Ratio: TX 1CT:1CT ±3% RX 1CT:1CT ±3%

Insertion Loss: -1.2dB Max @1-100 MHz

Return Loss: 1-30MHz 40MHz 50MHz 60-80MHz  
 -16dB -14dB -13dB -12dB (Min)

Differential to Common Mode Rejection:

30MHz	60MHz	100MHz
-50dB	-43dB	-35dB (Min)

Cross Talk: 30MHz	60MHz	100MHz
-43dB	-37dB	-33dB (Min)

DC Current: 350mA

Complete the Combo P/N as follows:

Replace 'x' & 'u' in the part number with one of the LED color letters:  
 Y=Yellow  
 G=Green  
 A=Amber  
 R=Red  
 C=Green(1)/Amber(2) Bicolor  
 D=Amber(1)/Green(2) Bicolor  
 M=Green(1)/Yellow(2) Bicolor  
 N=Yellow(1)/Green(2) Bicolor  
 P=Red(1)/Green(2) Bicolor  
 Q=Green(1)/Red(2) Bicolor  
 E=Red(1)/Yellow(2) Bicolor  
 F=Yellow(1)/Red(2) Bicolor  
 H=Amber(1)/Yellow(2) Bicolor  
 J=Green(1)/Green(2) Bicolor

'x' = Left LED Color  
 'u' = Right LED Color

Single Color LED: Bi-Color LED:

**Notes:**

- Solderability: Leads shall meet MIL-STD-202G, Method 208H for solderability.
- Flammability: UL94V-0
- ASTM oxygen index: > 28%
- Insulation System: Class F 155°C. UL file E151556
- Operating Temperature Range: All listed parameters are to be within tolerance from -40°C to +85°C
- Storage Temperature Range: -55°C to +125°C
- Aqueous wash compatible
- Electrical and mechanical specifications 100% tested
- RoHS Compliant Component

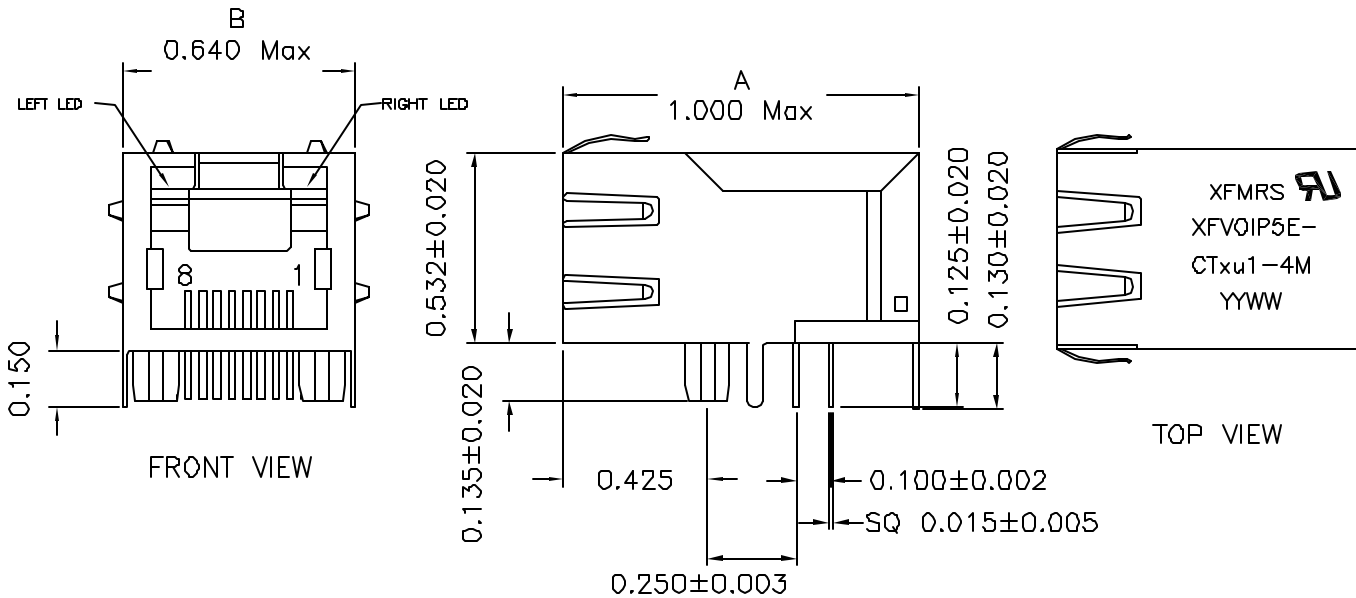
DOC. REV: A/8

<b>XFMRs Inc.</b> www.XFMRs.com	Title: <b>SINGLE PORT COMBO</b>		
	UNLESS OTHERWISE SPECIFIED TOLERANCES: .xxx ±0.010 Dimensions in Inch	P/N: XFVOIP5E-CTxu1-4M	REV. A
SHEET 1 OF 2	DWN.	Xianyí	Nov-05-08
	CHK.	YK Liao	Nov-05-08
	APP.	BW	Nov-05-08

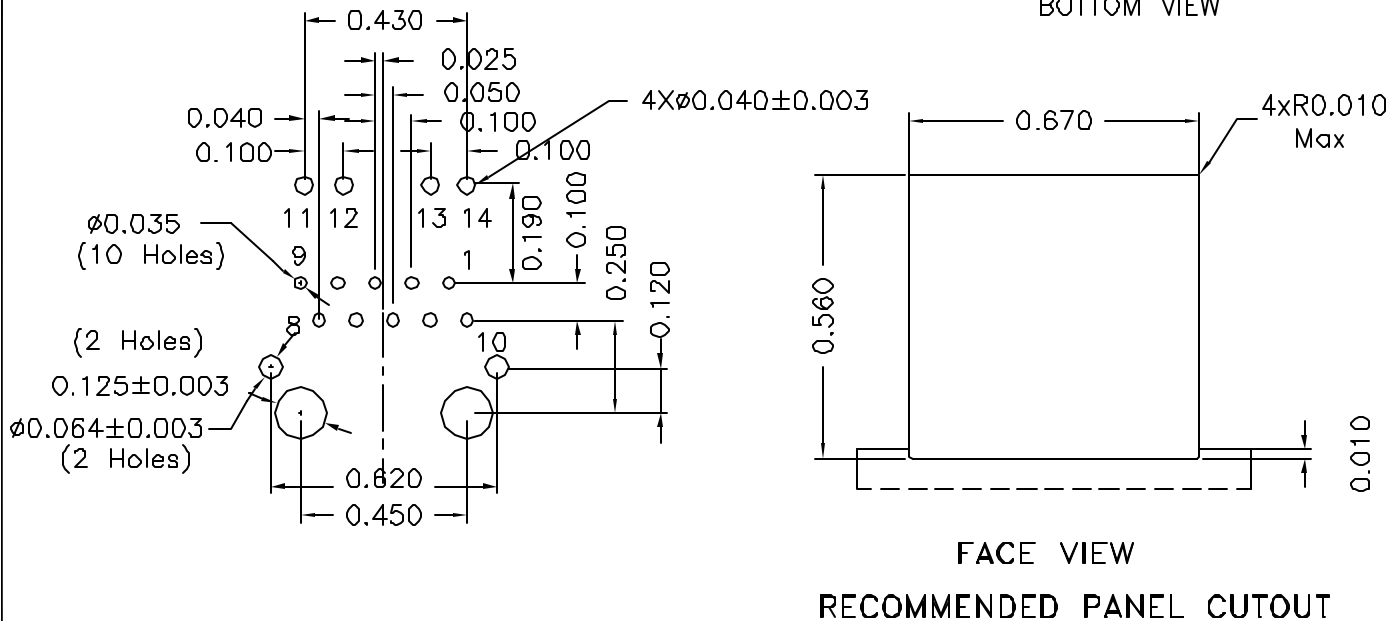
**PROPRIETARY:**

Document is the property of XFMRs Group & is not allowed to be duplicated without authorization.

### Mechanical Dimensions:



### Mounting Pattern: (Top View)



DOC. REV A/8

<b>XFMRs Inc.</b> www.XFMRs.com	Title: Mechanical Dimensions For TAB UB RJ45 COMBO		
	UNLESS OTHERWISE SPECIFIED TOLERANCES: .xxx ±0.010 Dimensions in Inch	P/N: XFVOIP5E-CTxu1-4M	REV. A
	DWN.	Xianyí	Nov-05-08
	CHK.	YK Liao	Nov-05-08
SHEET 2 OF 2	APP.	BW	Nov-05-08

**PROPRIETARY:**

Document is the property of XFMRs Group & is not allowed to be duplicated without authorization.