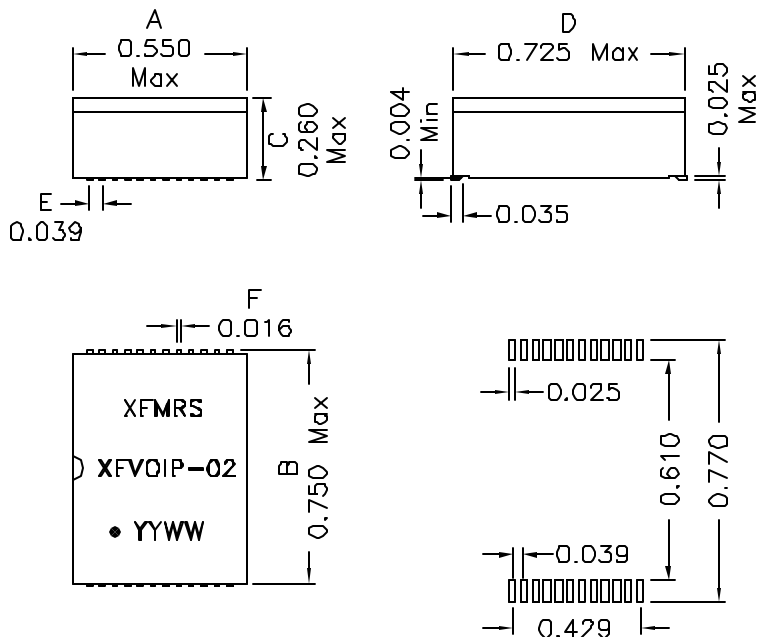
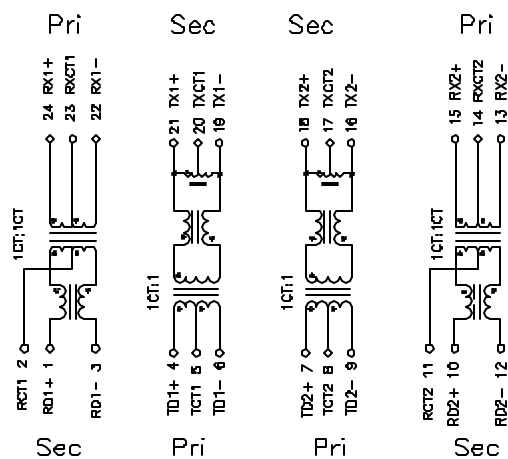


1. Mechanical Dimensions:



SUGGESTED PAD LAYOUT

2. Schematic:



DOC. REV: B/1

3. Electrical Specifications: @25°C

- ISOLATION: 1500 Vrms
- INSERTION LOSS: -1.2dB MAX @1MHz-100MHz
- PRI OCL: 350 uH Min @100KHz 100mV 8mADC
- RETURN LOSS: 16dB Min @1-30MHz
 - 14dB Min @40MHz
 - 13dB Min @50MHz
 - 12dB Typ @60-80MHz
- Differential to Common Mode Rejection:
 - 50dB Min @30MHz
 - 43dB Min @60MHz
 - 35dB Min @100MHz
- Crosstalk: -45dB Min @30MHz
 - 40dB Min @60MHz
 - 35dB Min @100MHz
- Q: 5 Min @10KHz 50mV

Notes:

1. Solderability: Leads shall meet MIL-STD-202G, Method 208H for solderability.
2. Flammability: UL94V-0
3. ASTM oxygen index: > 28%
4. Insulation System: Class F 155°C. UL file E151556
5. Operating Temperature Range: All listed parameters are to be within tolerance from -40°C to +85°C
6. Storage Temperature Range: -55°C to +125°C
7. Aqueous wash compatible
8. SMD Lead Coplanarity: ±0.004" (0.102mm)
9. Electrical and mechanical specifications 100% tested
10. RoHS Compliant Component
11. Designed for 802.3af applications

| | | | |
|--|----------------|---|-----------|
| XFMRs Inc www.XFMRs.com | | Title: 10/100TX DUAL MAGNETICS MODULES | |
| UNLESS OTHERWISE SPECIFIED TOLERANCES: .xxx ±0.010 Dimensions in INCH | P/N: XFVOIP-02 | REV. B | |
| | DWN. | Feng | Sep-27-11 |
| SHT 1 OF 1 | CHK. | YK Liao | Sep-27-11 |
| | APP. | Joe Huff | Sep-27-11 |

PROPRIETARY

Document is the property of XFMRs Group & is not allowed to be duplicated without authorization.