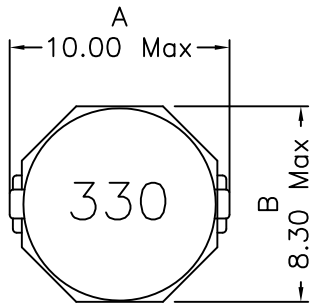
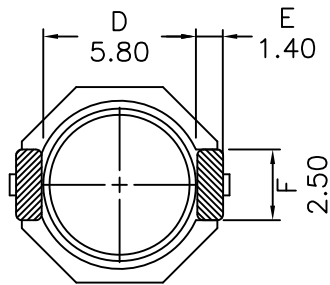
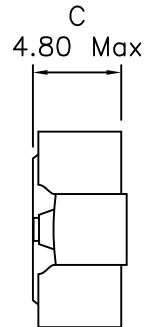


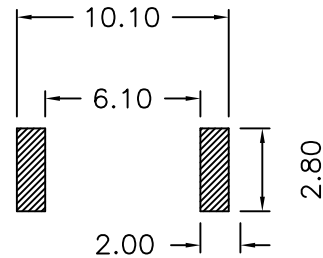
1. Mechanical Dimensions:



TOP VIEW

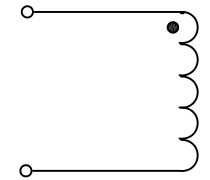


BOTTOM VIEW



PCB LAYOUT

2. Schematic:



3. Electrical Specification: @25°C

OCL: 33uH±30% @100KHz 0.1V

Q: 12 Min @100KHz 0.1V

DCR: 0.125 Ohms Max

Isat: 2.2Adc (Based on 35% Drop in OCL)

Irrated: 1.40A (Based on 40°C Rise in Temp)

Notes:

1. Solderability: Leads shall meet MIL-STD-202G, Method 208H for solderability.
2. Flammability: UL94V-0
3. ASTM oxygen index: > 28%
4. Insulation System: Class F 155°C. UL file E151556
5. Operating Temperature Range: All listed parameters are to be within tolerance from -40°C to +85°C
6. Storage Temperature Range: -55°C to +125°C
7. Aqueous wash compatible
8. SMD Lead Coplanarity: ±0.004"(0.102mm)
9. Electrical and mechanical specifications 100% tested
10. RoHS Compliant Component

DOC. REV. A/3

XFMRs Inc. www.XFMRS.com	Title: SMD INDUCTOR		
	UNLESS OTHERWISE SPECIFIED	P/N: XFTPRH8D43-330N	REV. A
TOLERANCES: .xxx ±0.25	DWN.	Feng	Sep-15-14
Dimensions in mm	CHK.	YK Liao	Sep-15-14
SHEET 1 OF 1	APP.	YK Liao	Sep-15-14