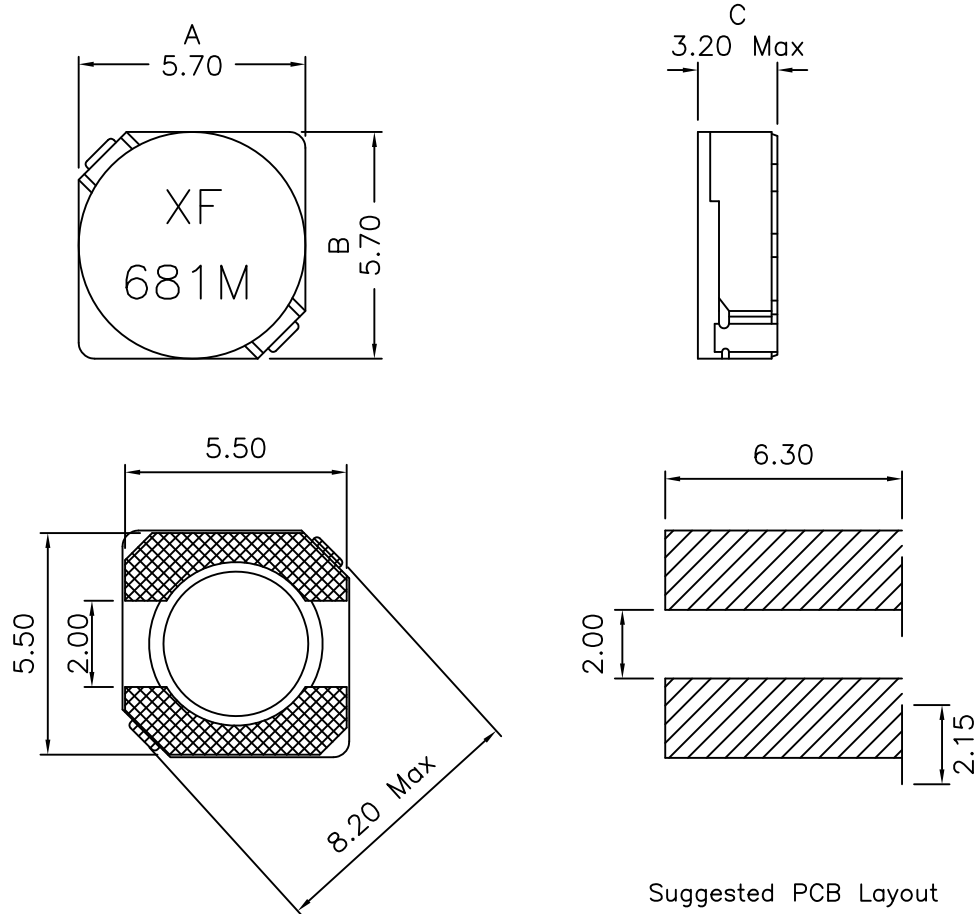
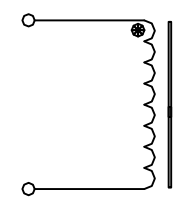


## 1. Mechanical Dimensions:



Suggested PCB Layout

## 2. Schematic:



## 3. Electrical Specifications:

OCL: 680uH±20% @100KHz, 0.1V  
 Q : 5 Min @10KHz 50mV  
 DCR: 4.0 Ohms Max.  
 Isat: 0.20A<sub>dc</sub> (Based on 30% Typ drop in OCL)  
 Irms: 0.26A (Based on 40°C Temp Rise)

- Notes:
1. Solderability: Leads shall meet MIL-STD-202G, Method 208H for solderability.
  2. Flammability: UL94V-0
  3. ASTM oxygen index: > 28%
  4. Insulation System: Class F 155°C. UL file E151556
  5. Operating Temperature Range: All listed parameters are to be within tolerance from -40°C to +85°C
  6. Storage Temperature Range: -55°C to +125°C
  7. Aqueous wash compatible
  8. SMD Lead Coplanarity: ±0.004"(0.102mm)
  9. Electrical and mechanical specifications 100% tested
  10. RoHS Compliant Component

DOC. REV A/1

<b>XFMRs Inc</b> www.XFMRS.com	Title: INDUCTOR		
	UNLESS OTHERWISE SPECIFIED	P/N: XFTPRH5D28-681M	REV. A
TOLERANCES: .xx ±0.30	DWN.	Yuan	Oct-08-12
Dimensions in MM	CHK.	YK Liao	Oct-08-12
SHT 1 OF 1	APP.	BSJ	Oct-08-12