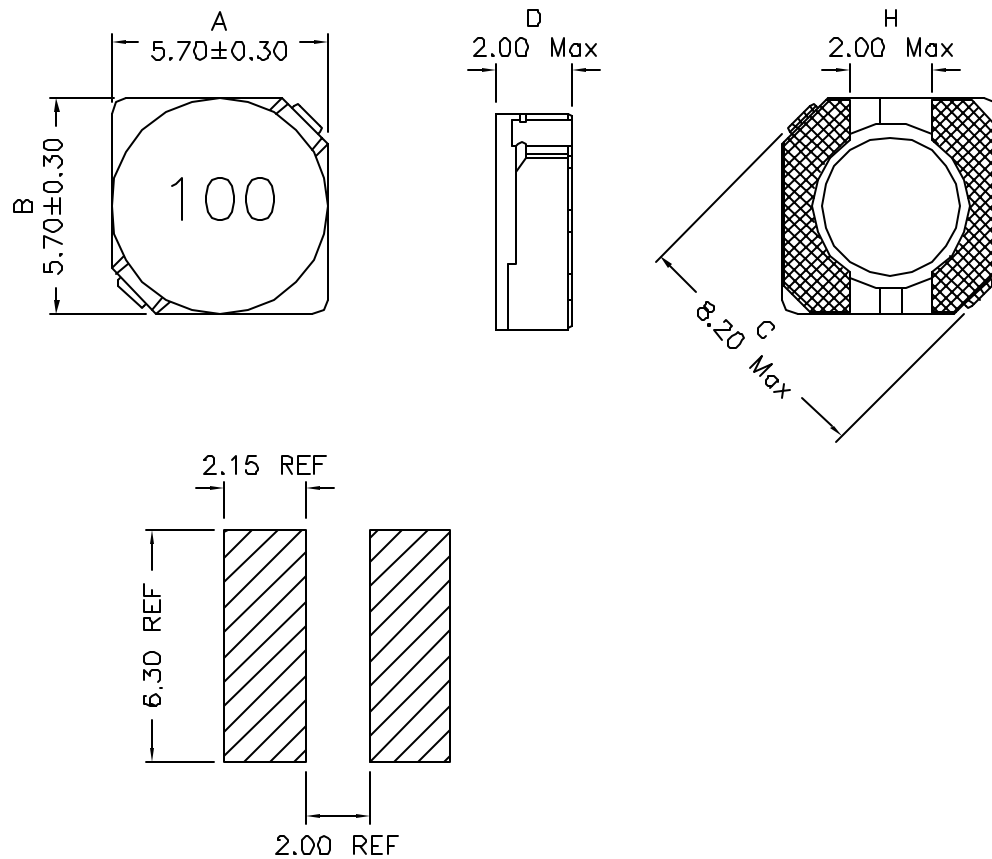


### 1. Mechanical Dimensions:

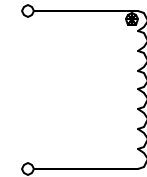


**Notes:**

1. Solderability: Leads shall meet MIL-STD-202G, Method 208H for solderability.
2. Flammability: UL94V-0
3. ASTM oxygen index: > 28%
4. Insulation System: Class F 155°C. UL file E151556
5. Operating Temperature Range: All listed parameters are to be within tolerance from -40°C to +85°C
6. Storage Temperature Range: -55°C to +125°C
7. Aqueous wash compatible
8. SMD Lead Coplanarity: ±0.004" (0.102mm)
9. Electrical and mechanical specifications 100% tested
10. RoHS Compliant Component

DOC REV: A/1

### 2. Schematic:



### 3. Electrical Specifications: @25°C

OCL: 10uH±30% @10KHz 0.25V

Isat: 1.2A<sub>dc</sub> (Based on 35% drop in OCL)

Q: 6 Min @10KHz 0.25V

DCR: 0.124 Ohms Max

<b>XFMRs Inc</b> www.XFMRs.com	Title: <b>INDUCTOR</b>		
UNLESS OTHERWISE SPECIFIED TOLERANCES: .xx ±0.25 Dimensions in MM	P/N: XFTPRH5D18-100N		REV. A
	DWN.	Feng	Jan-20-11
SHT 1 OF 1	CHK.	YK Liao	Jan-20-11
	APP.	Joe Huff	Jan-20-11