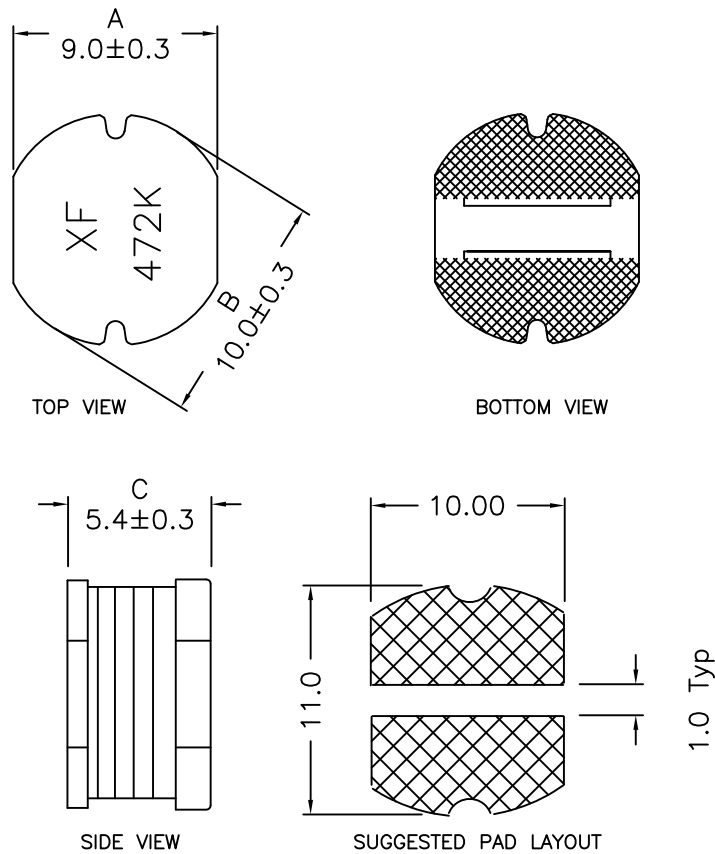
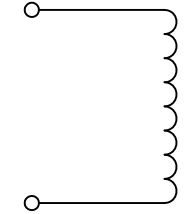


1. Mechanical Dimensions:



2. Schematic:



3. Electrical Specifications:

OCL: 4700uH \pm 20% @100KHz, 0.1V

Q: 32 Typ @252KHz, 0.1V

DC Res.: 18 Ohms Max

Isat: 0.24Adc (Based on 10% Drop in OCL)

Irms: 0.10A (Based on 40°C Temp Rise)

SRF: 0.80MHz Min

Notes:

- Solderability: Leads shall meet MIL-STD-202G, Method 208H for solderability.
- Flammability: UL94V-0
- ASTM oxygen index: > 28%
- Insulation System: Class F 155°C, UL file E151556
- Operating Temperature Range: All listed parameters are to be within tolerance from -40°C to +85°C
- Storage Temperature Range: -55°C to +125°C
- Aqueous wash compatible
- SMD Lead Coplanarity: $\pm 0.004''$ (0.102mm)
- Electrical and mechanical specifications 100% tested
- RoHS Compliant Component

DOC. REV: A/1

XFMRs Inc www.XFMRS.com	Title: SMD Inductor			
	UNLESS OTHERWISE SPECIFIED TOLERANCES:	P/N: XFSDR105-472K	REV A	
.xx \pm 0.25	DWN.	Mei Chen	Dec-05-12	
Dimensions in MM	CHK.	YK Liao	Dec-05-12	
SHEET 1 OF 1	APP.	BW	Dec-05-12	