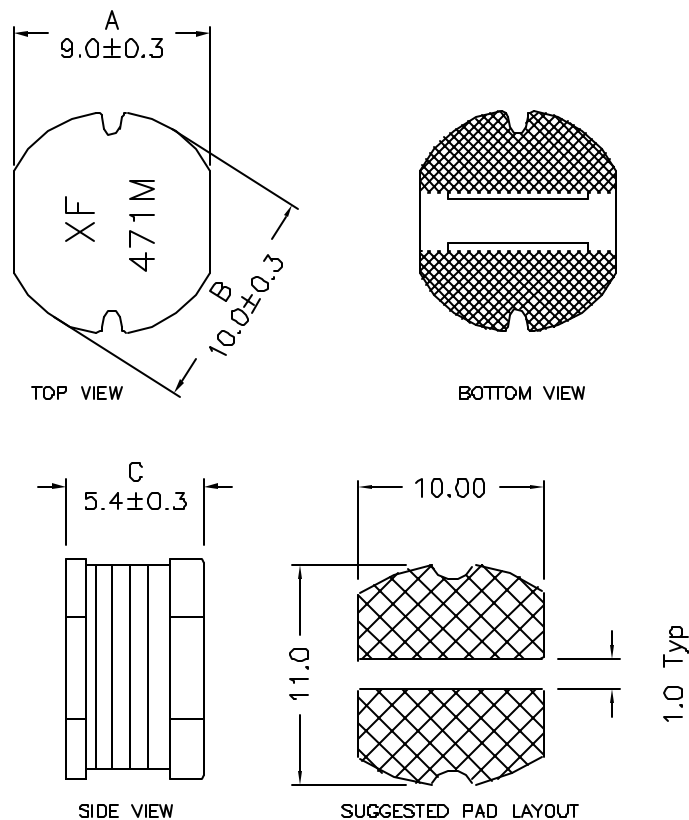


## 1. Mechanical Dimensions:



### Notes:

1. Solderability: Leads shall meet MIL-STD-202G, Method 208H for solderability.
2. Flammability: UL94V-0
3. ASTM oxygen index: > 28%
4. Insulation System: Class F 155°C. UL file E151556
5. Operating Temperature Range: All listed parameters are to be within tolerance from -40°C to +85°C
6. Storage Temperature Range: -55°C to +125°C
7. Aqueous wash compatible
8. SMD Lead Coplanarity:  $\pm 0.004^\circ$  (D.1D2mm)
9. Electrical and mechanical specifications 100% tested
10. RoHS Compliant Component

DOC. REV: A/3

## 2. Schematic:



## 3. Electrical Specifications:

OCL:  $470 \mu\text{H} \pm 20\%$  @100KHz, 0.1V

Q: 12 Min @100KHz, 0.1V

DC Res.: 1.480 Ohms Max

Irated: 0.42Adc Max

**PROPRIETARY** Document is the property of XFMRS Group & is not allowed to be duplicated without authorization.

<b>XFMRS Inc</b> www.XFMRS.com		Title: <b>SMD Inductor</b>	
UNLESS OTHERWISE SPECIFIED TOLERANCES: .xx $\pm 0.25$ Dimensions in MM	P/N: XF5DR105-471M	REV A	
	DWN.	Mei Chen	Jul-22-10
	CHK.	YK Liao	Jul-22-10
SHEET 1 OF 1	APP.	Joe Huff	Jul-22-10