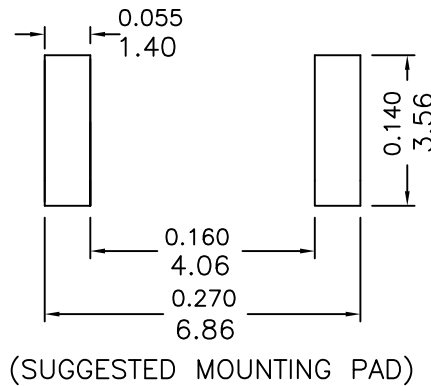
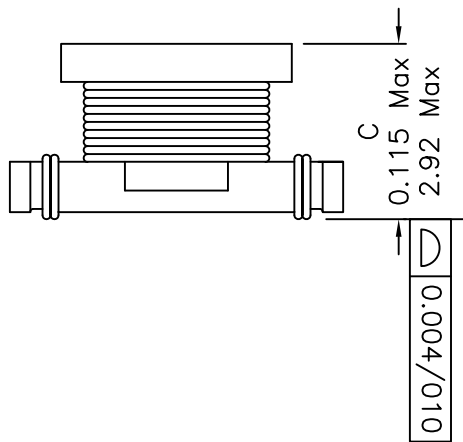
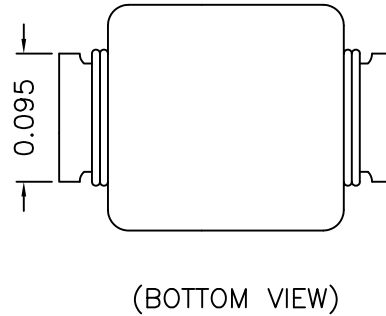
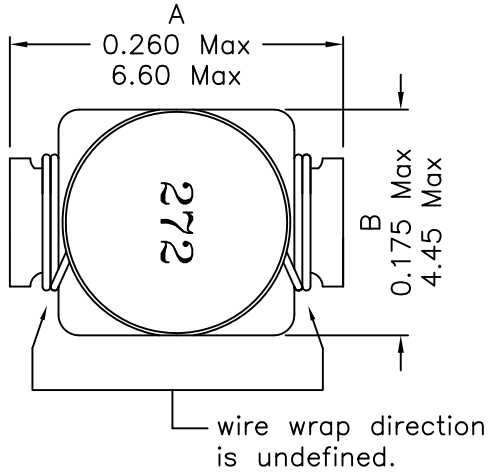
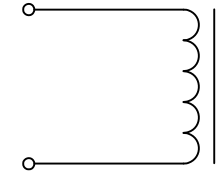


## 1. Mechanical Dimensions:



## 2. Schematic:



## 3. Electrical Specifications:

OCL: 2.7uH±20% @7.96MHz 0.1V

Q: 12 Min @100KHz 0.1V

DCR: 0.065 Ohms Max

Isat: 2.50Adc (Based on 10% Typ Drop in OCL)

Irms: 2.50A (Based on 20°C Rise in Temp)

SRF: 80MHz Typ

### Notes:

1. Solderability: Leads shall meet MIL-STD-202G, Method 208H for solderability.
2. Flammability: UL94V-0
3. ASTM oxygen index: > 28%
4. Insulation System: Class F 155°C. UL file E151556
5. Operating Temperature Range: All listed parameters are to be within tolerance from -40°C to +85°C
6. Storage Temperature Range: -55°C to +125°C
7. Aqueous wash compatible
8. SMD Lead Coplanarity: ±0.004\*(0.102mm)
9. Electrical and mechanical specifications 100% tested
10. RoHS Compliant Component

DOC REV: A/2

<b>XFMRs Inc</b> <a href="http://www.XFMRs.com">www.XFMRs.com</a>	Title: SMT POWER INDUCTORS		
	UNLESS OTHERWISE SPECIFIED TOLERANCES: .xxx ±0.010/.xx ±0.25 Dimensions in INCH/MM	P/N: XFS1MDR1714-272	REV. A
	DWN.	Yuan	Jun-05-14
	CHK.	YK Liao	Jun-05-14
SHT 1 OF 1	APP.	DDC	Jun-05-14

**PROPRIETARY**

Document is the property of XFMRs Group & is not allowed to be duplicated without authorization.