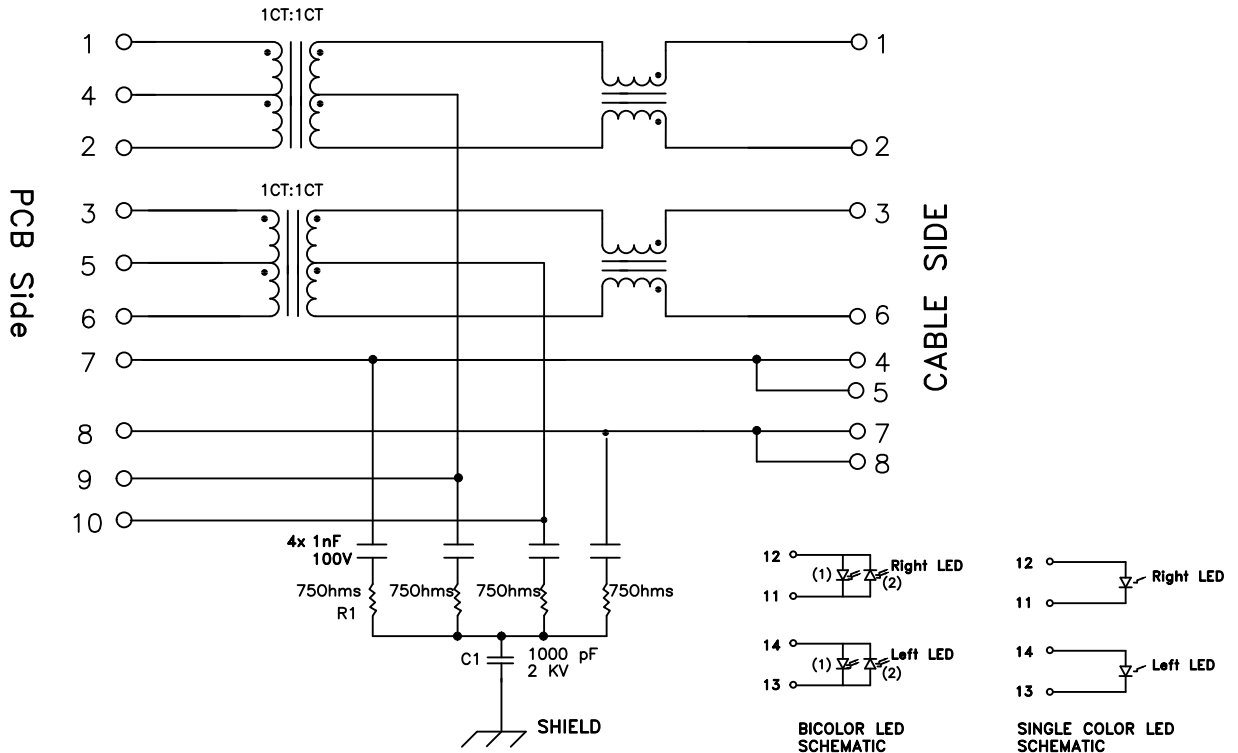


Schematic:



Electrical Specifications: @25°C

Isolation Voltage: 1500 Vac (Input to Output), 1Min

Turns Ratio: TX 1CT:1CT ±5% RX 1CT:1CT ±5%

Q: 5 Min @100KHz,100mV

Insertion Loss(TX/RX): -1.15dB Max @1-100MHz

Return Loss: 1-10MHz 10-30MHz 30-60MHz 60-80MHz
 -20dB Typ -16dB Typ -12dB Typ -10dB Typ

Crosstalk: 1-30MHz 30-60MHz 60-100MHz
 -40dB Typ -35dB Typ -30dB Typ

Common Mode Rejection: 1-50MHz 50-150MHz
 -30dB Typ -20dB Typ

OCL: 350uH MIN @100KHz 100mV 8mADC

Rated Current: P7,8,9,10 350mA Max @57Vdc Continuous

Rated Current: P7,8,9,10 500mA Max @57Vdc 200mS

Notes:

1. Solderability: Leads shall meet MIL-STD-202G, Method 208H for solderability.
2. Flammability: UL94V-0
3. ASTM oxygen index: > 28%
4. UL Recognized Component: File Number E165866
5. Operating Temperature Range: All listed parameters are to be within tolerance from -40°C to +85°C
6. Storage Temperature Range: -25°C to +125°C
7. Aqueous wash compatible
8. Electrical and mechanical specifications 100% tested
9. RoHS Compliant Component

Complete the Combo P/N as follows:

Replace 'x' & 'u' in the part number with one of the LED color letters:

Y=Yellow
 G=Green
 A=Amber
 R=Red
 C=Green(1)/Amber(2) Bicolor
 D=Amber(1)/Green(2) Bicolor
 M=Green(1)/Yellow(2) Bicolor
 N=Yellow(1)/Green(2) Bicolor
 P=Red(1)/Green(2) Bicolor
 Q=Green(1)/Red(2) Bicolor
 E=Red(1)/Yellow(2) Bicolor
 F=Yellow(1)/Red(2) Bicolor
 H=Amber(1)/Yellow(2) Bicolor

Single Color LED:

Bi-Color LED:

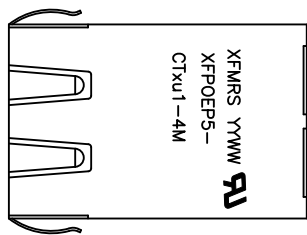
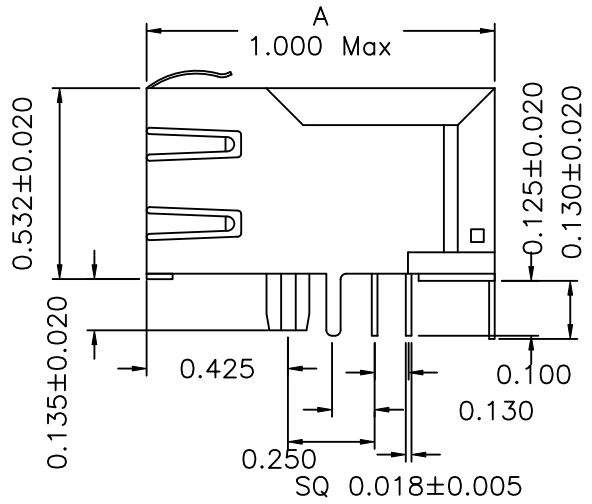
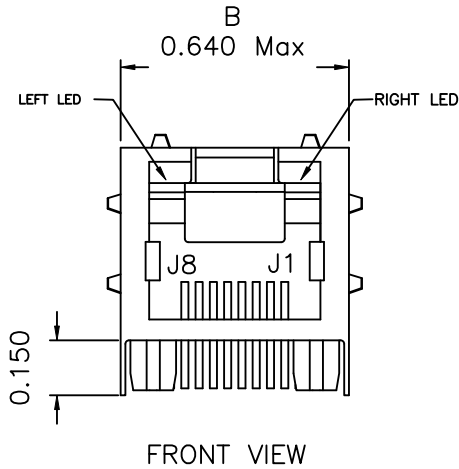
DOC. REV: B/2

XFMR5 [®] www.XFMR5.com		Title: SINGLE PORT POE COMBO	
UNLESS OTHERWISE SPECIFIED		P/N: XFPOEP5-CTxu1-4M	REV. B
TOLERANCES: .xxx ±0.010		DWN.	Huang Jan-18-21
Dimensions in Inch		CHK.	YK Liao Jan-18-21
SHEET 1 OF 2		APP.	DDC Jan-18-21

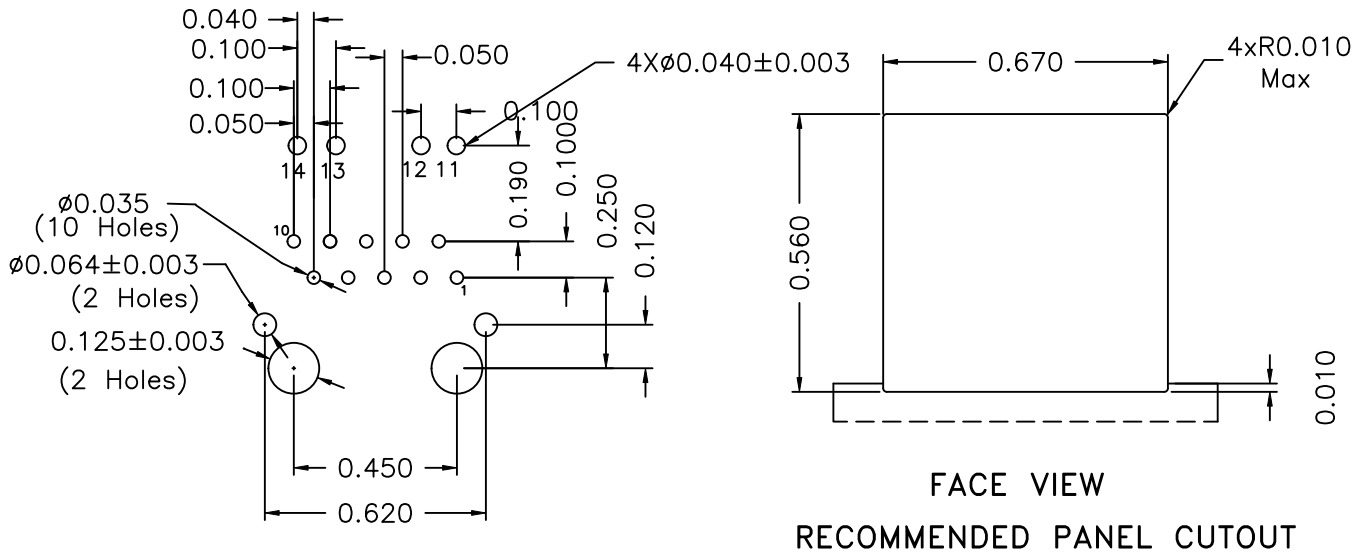
PROPRIETARY:

Document is the property of XFMR5 Group & is not allowed to be duplicated without authorization.

Mechanical Dimensions:



Mounting Pattern:



DOC REV: B/2

PROPRIETARY:

Document is the property of XFMRS Group & is not allowed to be duplicated without authorization.

XFMRS® www.XFMRS.com		Title: Mechanical Dimensions For TAB UB RJ45 COMBO	
UNLESS OTHERWISE SPECIFIED TOLERANCES: .xxx ±0.010 Dimensions in Inch		P/N: XFPOEP5-CTxu1-4M	
		REV. B	
		DWN.	Huang
		CHK.	YK Liao
		APP.	DDC
SHEET 2 OF 2			Jan-18-21

CONCEPT

GENERAL INFORMATION

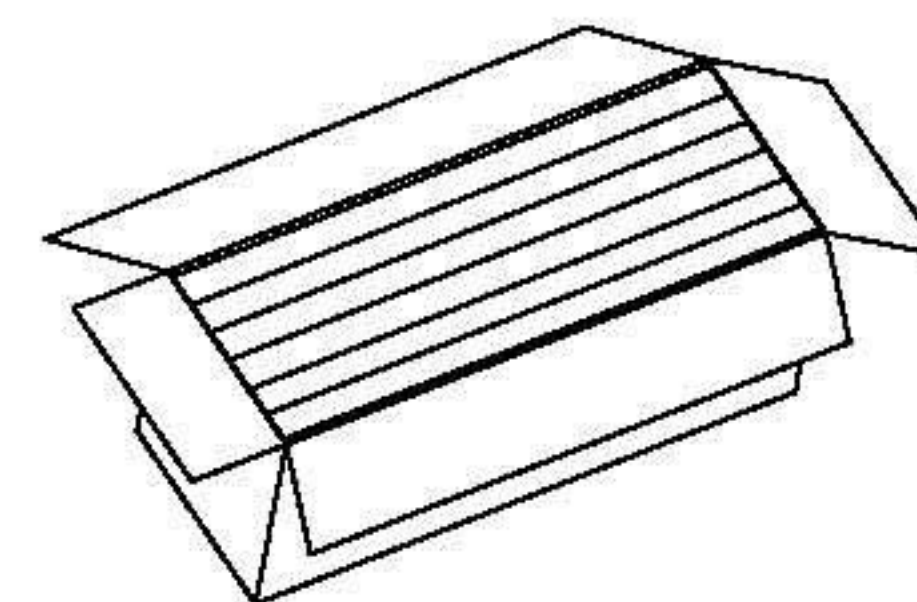
Part Number:	XFPOEP5-CTCY1-4M
Part Description:	TAB UP RJ45 COMBO
Weight (lbs.):	0.016 lbs.approx
Other:	

SUPPLIER INFORMATION

Company Name:	XFMRs
Address Line 1:	UNIT G-J, 3/F, BLK 1, GOLDEN DRAGON IND CTR
State / ZIP:	152-160 TAI LIN PAI ROAD
Country:	HONG KONG, CHINA
Program Manager:	Peggy Yiu
Contact E-mail:	pyiu@xfmrs.com.hk
Contact Phone:	852 2423 1689

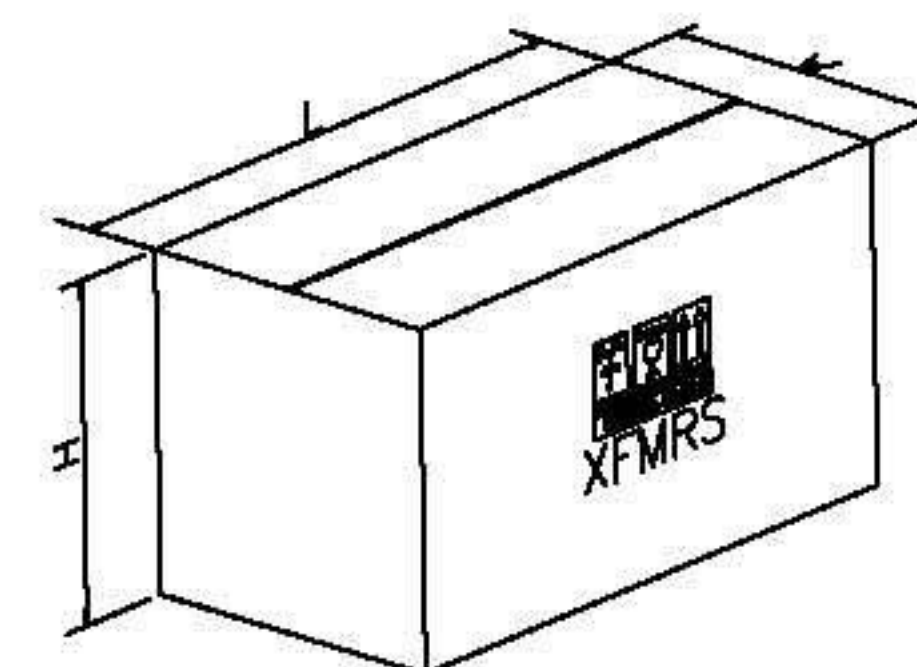
PRIMARY PACKAGING

Packaging Type:	PVC tube
Dimensions:	52.8*26.5*3.1cm
Weight:	0.17 lbs. approx
QPC (Parts Per Tube)	29 pcs.
Total Weight w/parts:	0.63 lbs.
Banding / Shrink / Wrap:	BOPP Wrap
Other:	N/A



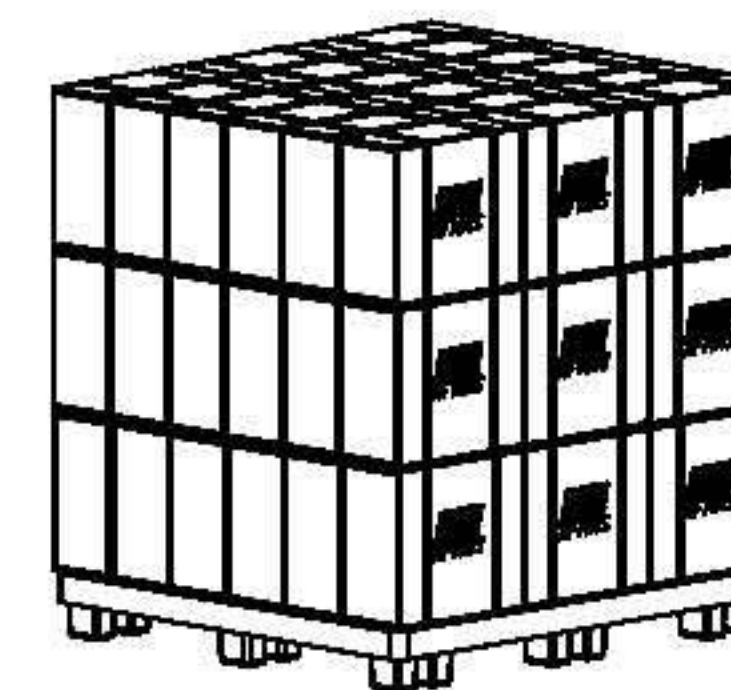
SECONDARY PACKAGING

Packaging Type:	Paper Box
Dimensions:	L55*W26.5*H13.5cm
Weight:	1.1 lbs.
Boxes per Unit Load:	1305 pcs.
Total weight w/Parts (lbs):	30.13 lbs.approx
Banding / Shrink / Wrap:	BOPP Wrap / PP Banding
Other:	N/A



SHIPPING INFORMATION

Packaging Type:	PE Pallet
Unit Load dims:	120*100*129cm
Weight:	16.72 lbs.
Number of box Loads:	30 box.
Number of Parts:	39150 pcs.
Load weight total (lbs):	920.62 lbs.approx
Banding / Shrink / Wrap:	PE Shrink



PACKAGING APPROVAL

Internal Document
 Manufacture / Q.A ./ Process Instructions

Drafted	Checked	Approved	DOC Rev	Date
Chenmei	Kong	YK Liao	A/1	Sep-11-17

MATERIAL SPECIFICATIONS FOR ALL COMBO'S

1. MATERIALS AND FINISH:

Housing: UL94V-0 Rated

Contacts: 0.35mm Phosphor Bronze

Contact Plating: Under plating , Nickel: 50-90ui
30 ulnch Hard Gold

Input Terminal: Phosphor Bronze

Underplating: Nickel 40-90ui Finish: Tin 50-80ui

Shielding: 0.25mm Copper Alloy, 50ulnch Nickel Plating

Capacitor: 1000pF 2KV

Resistors: 75 Ohms

Magnet Wire: Copper

Solder: Sn95Sb5 (Lead Free)

PCB: FR-4 , UL94V-0

2. MECHANICAL CHARACTERISTICS:

Durability: 1,000 Mating Cycles

3. ELECTRICAL CHARACTERISTICS:

Current/Voltage: 30Vac/42Vdc, 1.5A Max

Dielectric Voltage: 1500Vrms

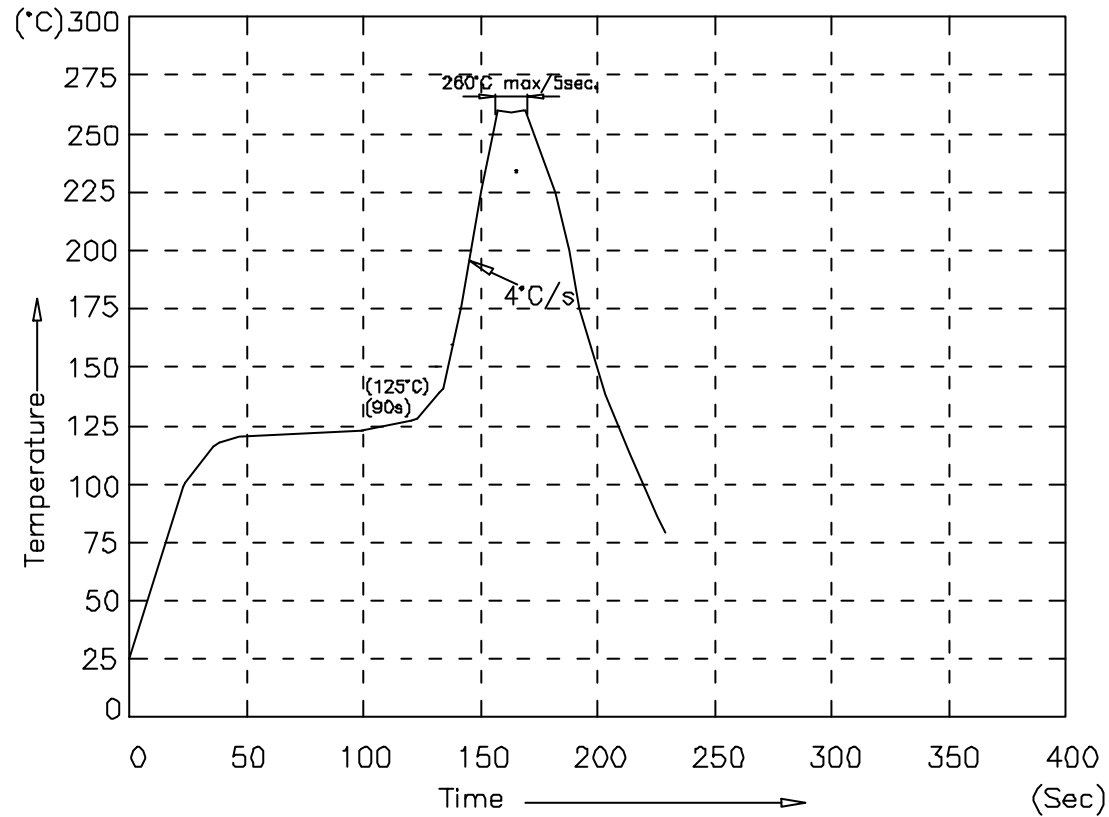
Contact Resistance: 30 mOhm Max

Insulation Resistance : 500 MOhm Min

Temperature Rating : -55 to +125°C

XFMRs Ltd.

Recommended wave soldering profile
for Lead-free Through-hole component.



NOTE:

1. Recommend the wave temperature 245°C–260°C. The maximum soldering temperature should be less than 260°C
2. Do not apply stress on plastics when temperature is over 85°C
3. The soldering profile applies to the lead free soldering (Sn/Cu alloy).
4. No more than 1 cycle.

DOC. REV B

PROPRIETARY

Document is the property of XFMRs Group & is not allowed to be duplicated without authorization.

XFMRs Inc. www.XFMRs.com	Title: Soldering profile		
	UNLESS OTHERWISE SPECIFIED TOLERANCES: N/A		P/N: TH component
SHEET 1 OF 1	DWN.	Juan Mao	Jan-20-07
	CHK.	YK Liao	Jan-20-07
	APP.	BW	Jan-20-07