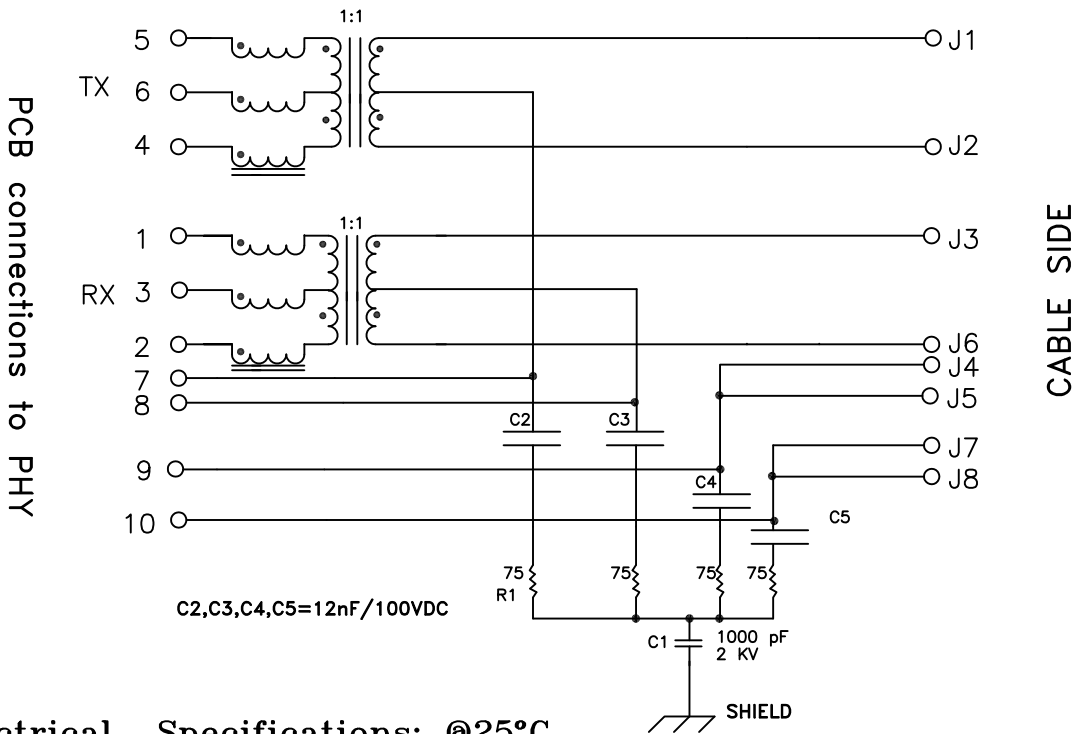


Schematic:



Electrical Specifications: @25°C

Isolation Voltage: 1500 VAc (Input to Output)

Turns Ratio: TX 1CT:1CT ±3% RX 1CT:1CT ±3%

OCL: 350uH Minimum @100KHz 100mV 24mADC

Insertion Loss: -1.0dB TYP @0.1-100 MHz

Insertion Loss: -1.70 dB Max @100-125 MHz

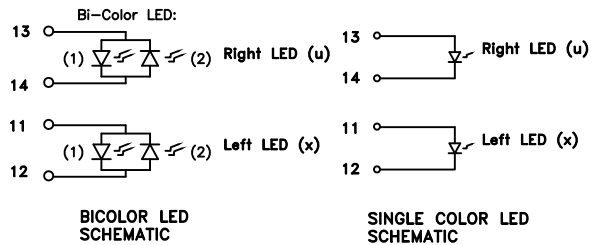
Return Loss: 1-30MHz	40MHz	50MHz	60-80MHz
-16.0dB(Typ)	14.0dB(Typ)	13.0dB(Typ)	12.0dB(Typ)

Cross Talk: 0.1-100MHz 27.0 dB Min

Common Mode Rejection: 0.1-100MHz 30.0 dB Min

DC Current: 720mA

Q: 5 Min @100KHz 0.1V



Complete the Combo P/N as follows:

Replace 'x' & 'u' in the part number with one of the LED color letters:

Y=Yellow	'x' = Left LED Color
G=Green	'u' = Right LED Color
A=Amber	
R=Red	

C=Green(1)/Amber(2) Bicolor
D=Amber(1)/Green(2) Bicolor
M=Green(1)/Yellow(2) Bicolor
N=Yellow(1)/Green(2) Bicolor
P=Red(1)/Green(2) Bicolor
Q=Green(1)/Red(2) Bicolor
E=Red(1)/Yellow(2) Bicolor
F=Yellow(1)/Red(2) Bicolor
H=Amber(1)/Yellow(2) Bicolor
J=Green(1)/Green(2) Bicolor

Notes:

- Solderability: Leads shall meet MIL-STD-202G, Method 208H for solderability.
- Flammability: UL94V-0
- ASTM oxygen index: > 28%
- UL Recognized Component: File Number E165866
- Operating Temperature Range: All listed parameters are to be within tolerance from 0°C to +70°C
- Storage Temperature Range: -55°C to +125°C
- Aqueous wash compatible
- Electrical and mechanical specifications 100% tested
- RoHS Compliant Component

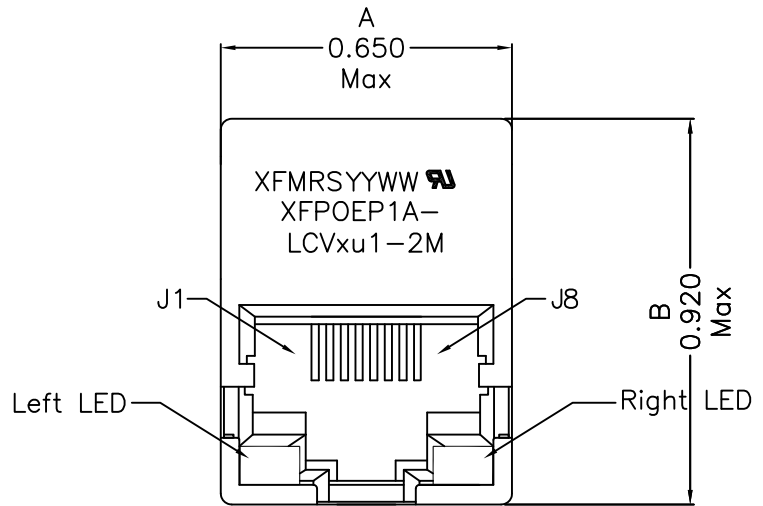
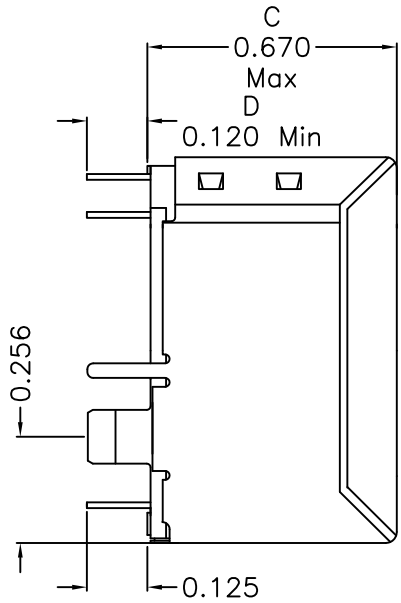
DOC REV: A/2

PROPRIETARY:

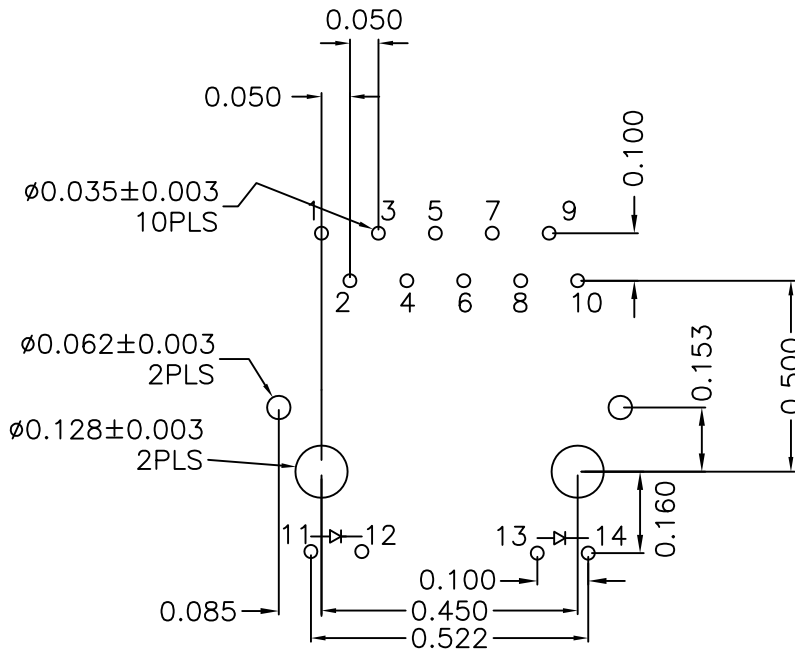
Document is the property of XFMRs Group & is not allowed to be duplicated without authorization.

XFMRs Inc. www.XFMRs.com	Title: SINGLE PORT POE+ COMBO		
	UNLESS OTHERWISE SPECIFIED TOLERANCES: .xxx ±0.010 Dimensions in Inch	P/N: XFPOEP1A-LCVxu1-2M	REV. A
SHEET 2 OF 2			

Mechanical Dimensions:



Mounting Pattern:



P.C.B RECOMMENDED HOLE LAYOUT

DOC REV: A/2

XFMRS Inc. www.XFMRS.com	Title: Mechanical Dimensions For LCVxu1-2M Series		
	UNLESS OTHERWISE SPECIFIED TOLERANCES: .xxx ±0.010 Dimensions in Inch	P/N: XFPOEP1A-LCVxu1-2M	REV. A
	DWN.	Yuan	Dec-02-13
	CHK.	YK Liao	Dec-02-13
SHEET 2 OF 2	APP.	BW	Dec-02-13

PROPRIETARY:

Document is the property of XFMRS Group & is not allowed to be duplicated without authorization.