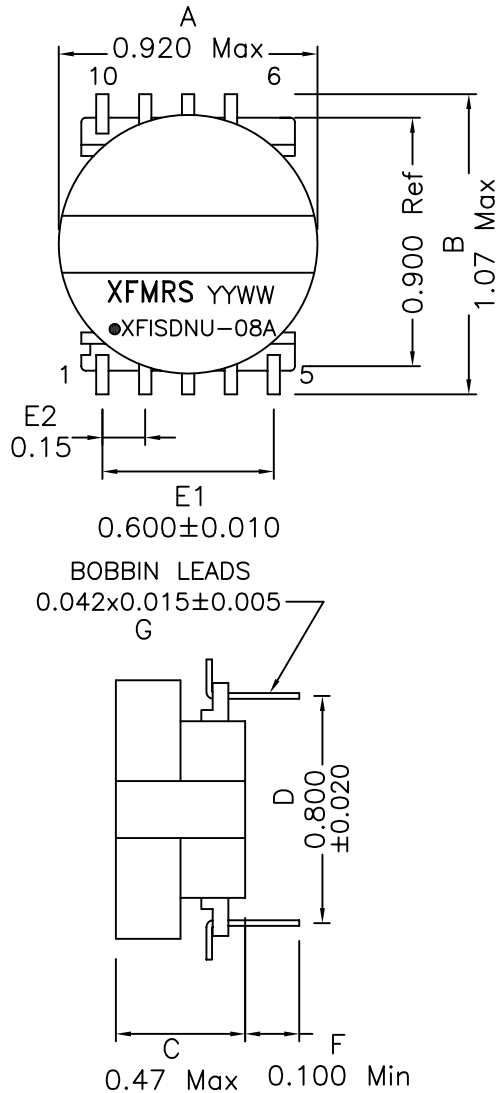
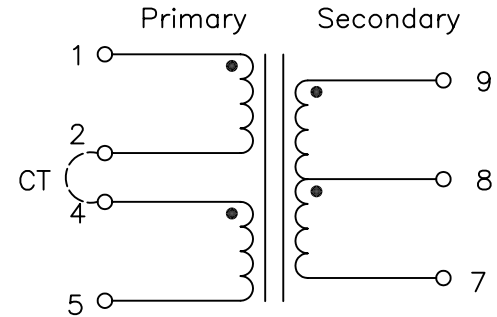


## 1. Mechanical Dimensions:



\* Remove Pin #6

## 2. Schematic:



## 3. Electrical Specifications:

- OCL: Pins 1-5 26.5mH Min @10KHz 0.1V, tie Pins2+4
- Q: Pins 1-5 tbd Min @10KHz 0.1V, tie Pins2+4
- LL: Pins 1-5 95uH Max @10KHz 0.1V, tie Pins2+4, short Sec
- Cw/w: Pins 1-9 80pF Max @10KHz 0.1V, tie Pri; Sec
- DCR: Pins 1-5 6 Ohms Max, short Pins2+4  
Pins 9-7 9 Ohms Max
- Turns Ratio: (Pri):(Sec)=1.25:1±3%
- Isolation Voltage: 1500Vrms, Pri to Sec

### Notes:

- Solderability: Leads shall meet MIL-STD-202G, Method 208H for solderability.
- Flammability: UL94V-0
- ASTM oxygen index: > 28%
- Insulation System: Class F 155°C. UL file E151556
- Operating Temperature Range: All listed parameters are to be within tolerance from -40°C to +85°C
- Storage Temperature Range: -55°C to +125°C
- Aqueous wash compatible
- Electrical and mechanical specifications 100% tested
- RoHS Compliant Component

<b>XFMRs Inc</b> www.XFMRs.com		Title: ISDN U-INTERFACE	
UNLESS OTHERWISE SPECIFIED TOLERANCES: .xxx ±0.010 Dimensions in INCH	P/N: XFISDNU-08A	REV. A	
	DWN.	Mei Chen	Apr-29-10
SHEET 1 OF 1	CHK.	YK Liao	Apr-29-10
	APP.	BW	Apr-29-10

DOC REV: A/1