

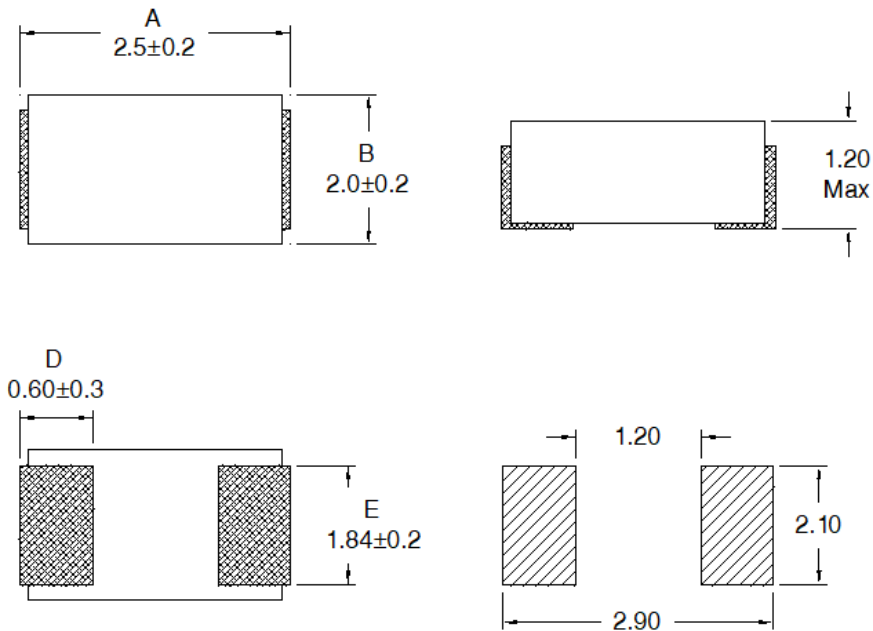
XFHCL43LT Series

Shielded Power Inductors

- Great for high frequency switching power applications
- High current ratings in a small form factor
- Shielded Construction
- RoHS compliant component



Mechanical Dimensions



(dimensions in mm)

Electrical Characteristics

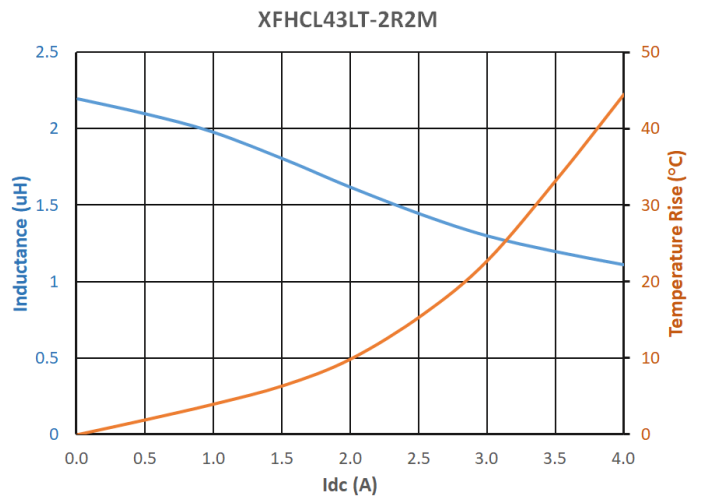
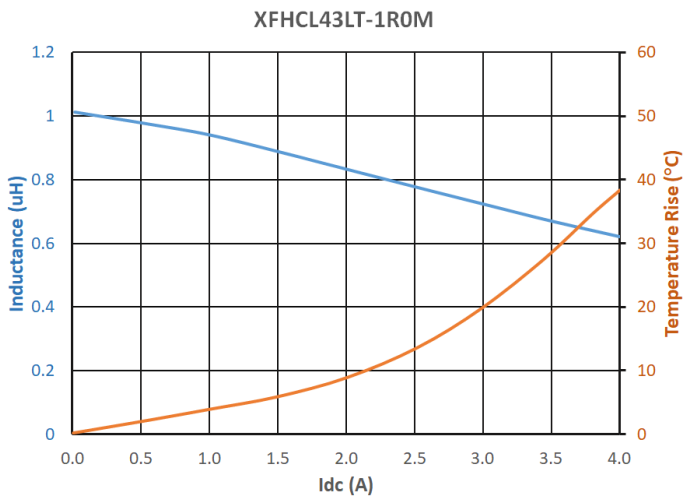
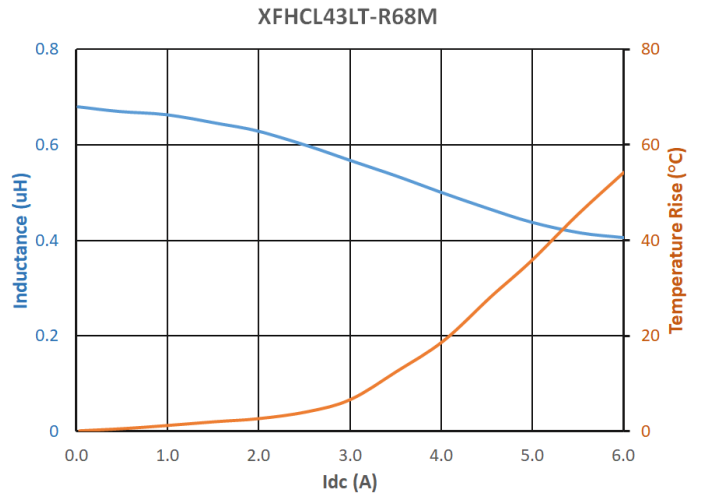
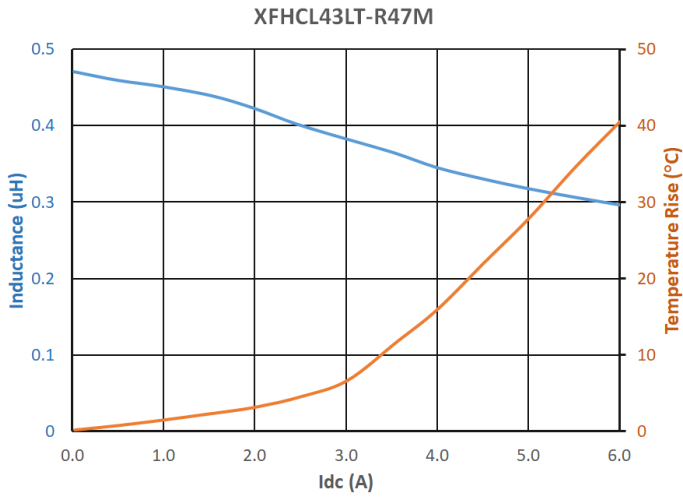
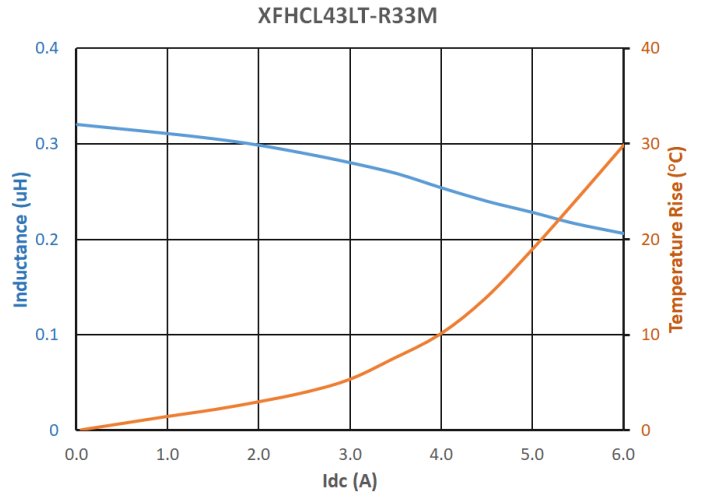
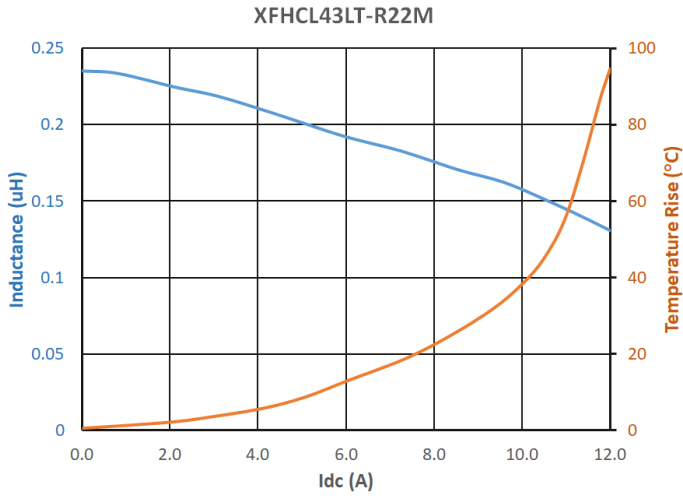
| Part Number | Inductance ¹ | | DCR (Max) mΩ | Isat ² A | Irms ³ A | SRF Min MHz |
|----------------|-------------------------|-------|-----------------|------------------------|------------------------|----------------|
| | uH | Tol ± | | | | |
| XFHCL43LT-R22M | 0.22 | 20% | 13.0 | 7.0 | 8.0 | 30 |
| XFHCL43LT-R33M | 0.33 | 20% | 17.0 | 4.3 | 5.6 | 30 |
| XFHCL43LT-R47M | 0.47 | 20% | 25.0 | 3.8 | 4.5 | 30 |
| XFHCL43LT-R68M | 0.68 | 20% | 43.0 | 3.0 | 4.0 | 30 |
| XFHCL43LT-1R0M | 1.0 | 20% | 53.0 | 2.8 | 3.1 | 30 |
| XFHCL43LT-2R2M | 2.2 | 20% | 98.0 | 1.8 | 2.3 | 10 |

Custom values available! Contact us at www.xfmrs.com for more details

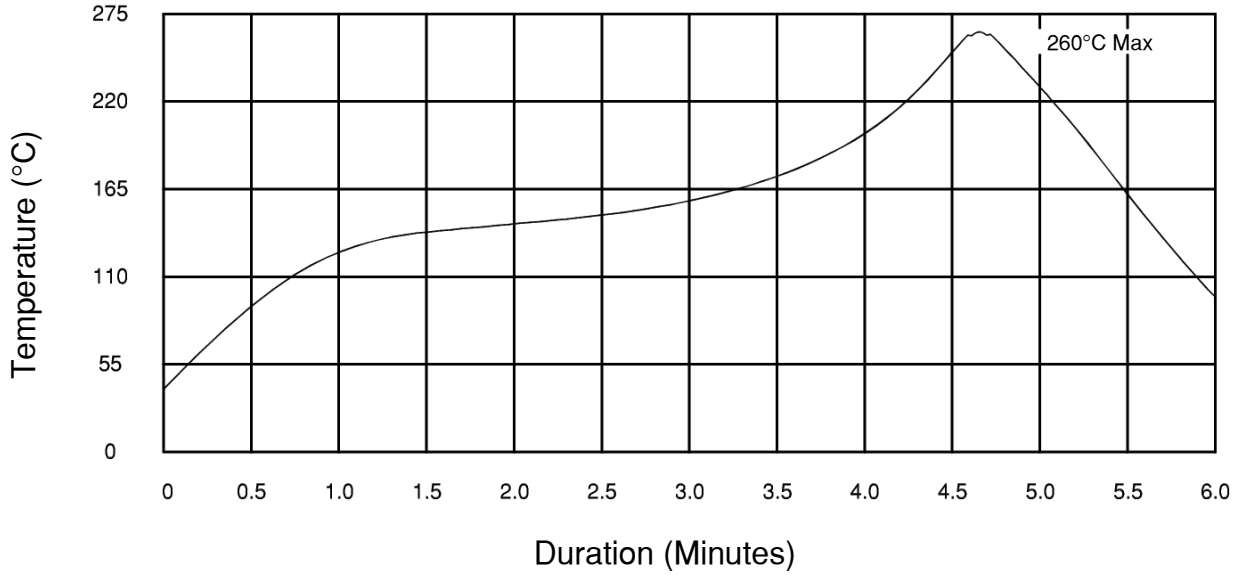
Notes:

1. Inductance tested at 1MHz, 1.0V unless otherwise noted
2. Isat: Based on 30% (typ) inductance drop from its value at 0A
3. Irms: Based on 40°C (typ) temperature rise from 25°C ambient
4. All electrical specifications tested at 25°C unless
5. Solderability: Leads shall meet MIL-STD-202, Method 208D for solderability
6. Flammability: UL94V-0
7. ASTM Oxygen Index: > 28%
8. Insulation System: Class F 155°C. UL File E151556
9. Operating Temperature: -55°C to +125°C
10. Storage Temperature: -40°C to +125°C
11. Aqueous wash compatible
12. SMD Lead Coplanarity: ±0.004" (0.102mm)
13. Electrical and mechanical specifications 100% tested
14. RoHS Compliant Component
15. Recommended IR reflow peak temperature of 260°C

Electrical Characteristics



Recommended IR Reflow Profile



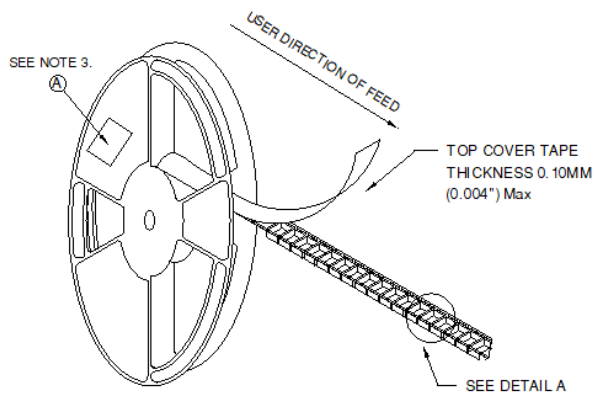
Notes:

Maximum duration at 260°C +0/-5° with 10 seconds max

Maximum duration above 217°C shall be 60-150 seconds

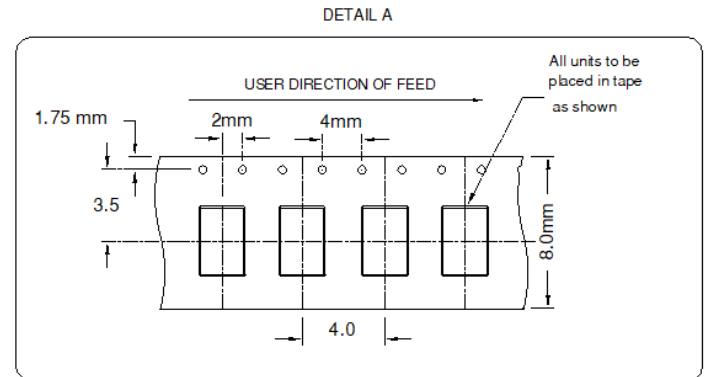
All temperatures refer to topside of the package, measured on the package body surface

Packaging



REEL AND TAPE ORIENTATION

7" REEL DIAMETER



Notes:

1. Process in accordance with EIA-481-2 standards
 - Tape leader dimension 15.30" minimum
 - Tape trailer dimension 6.30" minimum
2. Parts should be packaged in accordance with ESD guidelines in EIA-541
3. Reel Label:
 - 'A' * Part Number
 - * Quantity
 - * Date Code
 - 'B' * Anti-static caution label
4. **3000 pcs per 7" reel**