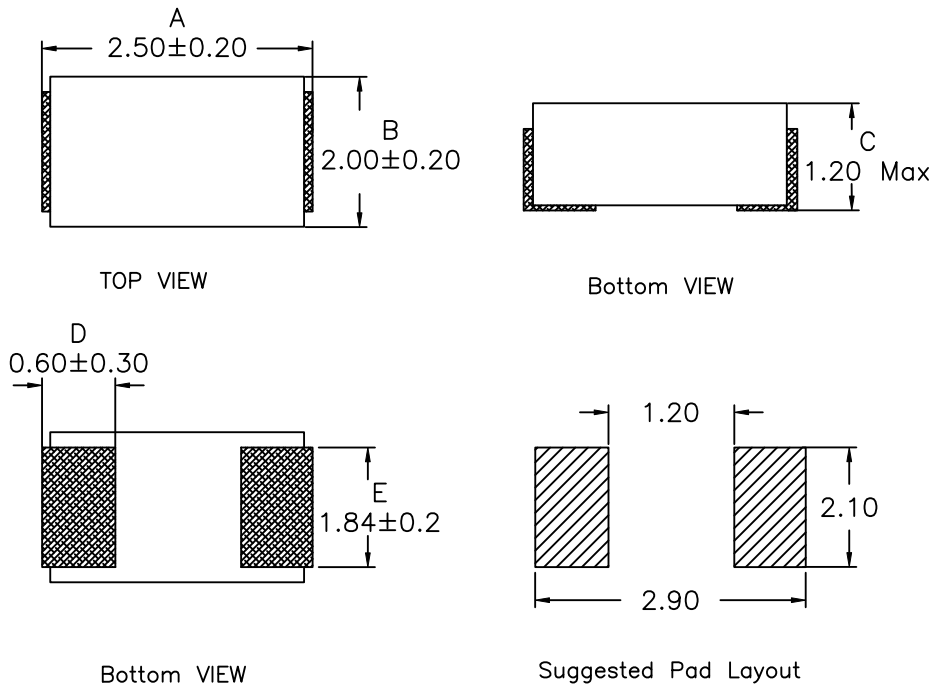
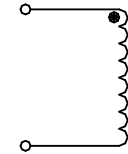


## 1. Mechanical Dimensions:



## 2. Schematic:



## 3. Electrical Specifications: @25°C

OCL:  $680\text{nH} \pm 20\%$  @1MHz, 1.0V

Q: 9.5 Min @1MHz, 1.0V

DCR: 43mOhms Max

Isat: 3.0A (Based on 30% Typ Drop in OCL)

Irms: 4.0A (Based on 40°C Typ Temp Rise)

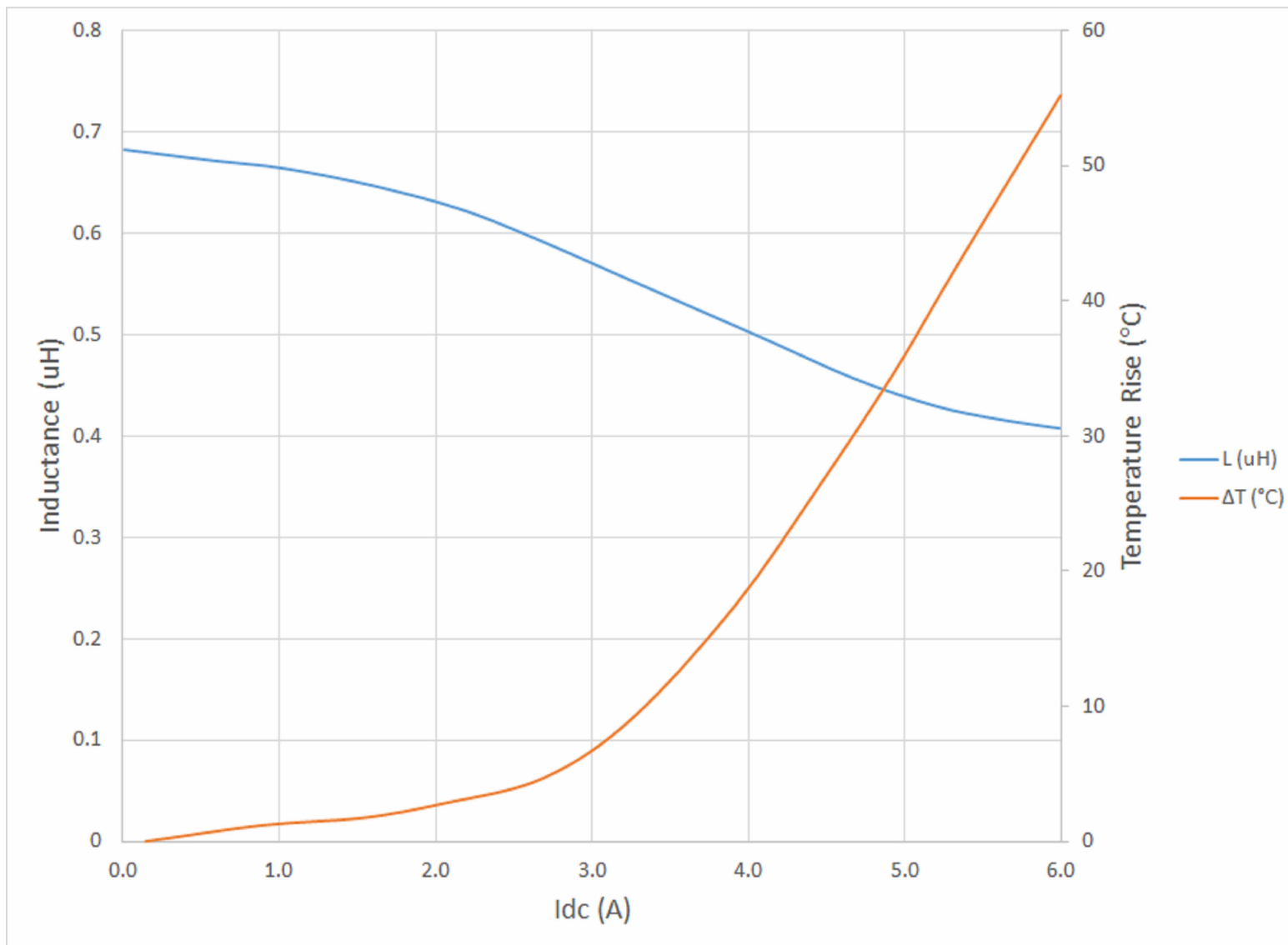
SRF: 65 MHz Min

### Notes:

1. Solderability: Leads shall meet MIL-STD-202G, Method 208H for solderability.
2. Flammability: UL94V-0
3. ASTM oxygen index: > 28%
4. Insulation System: Class F 155°C. UL file E151556
5. Operating Temperature: -55°C to +125°C
6. Storage Temperature Range: -45°C to +125°C
7. Aqueous wash compatible
8. SMD Lead Coplanarity:  $\pm 0.004"$  (0.102mm)
9. Electrical and mechanical specifications 100% tested
10. RoHS Compliant Component
11. Outsourced item processed & controlled under XFMRs QA system
12. AEC-Q200 Certified Product
13. Recommended IR Reflow peak temp of 260°C Max

DOC REV.: A/2

<b>XFMRs Inc</b> www.XFMRs.com	Title: SMD INDUCTOR		
	UNLESS OTHERWISE SPECIFIED TOLERANCES: .xx $\pm 0.25$ Dimensions in MM	P/N: XFHCL43-R68M	REV. A
SHEET 1 OF 2	DWN.	Xiang	Nov-17-20
	CHK.	YK Liao	Nov-17-20
	APP.	DDC	Nov-17-20



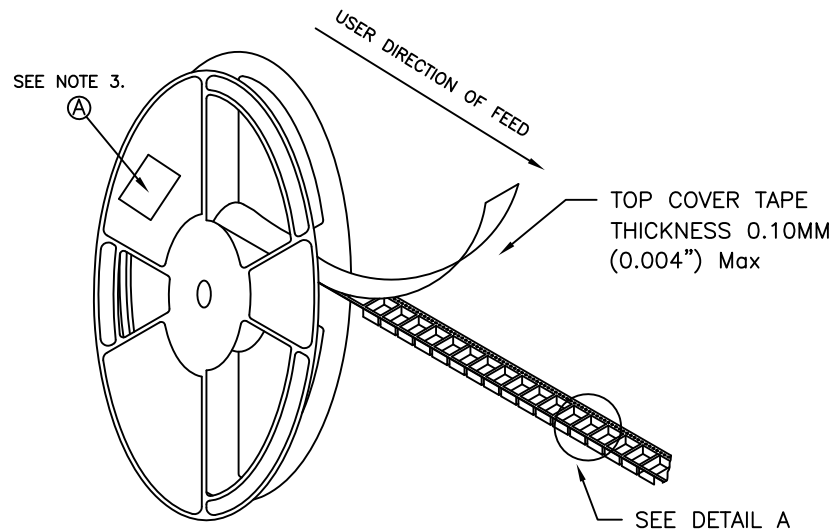
DOC REV.: A/2

<b>XFMRs Inc</b> www.XFMRs.com	Title: SMD INDUCTOR		
	UNLESS OTHERWISE SPECIFIED TOLERANCES: .xx ±0.25 Dimensions in MM	P/N: XFHCL43-R68M	REV. A
SHEET 2 OF 2	DWN.	Xiang	Nov-17-20
	CHK.	YK Liao	Nov-17-20
	APP.	DDC	Nov-17-20

# TAPE AND REEL SPECIFICATION:

## NOTES:

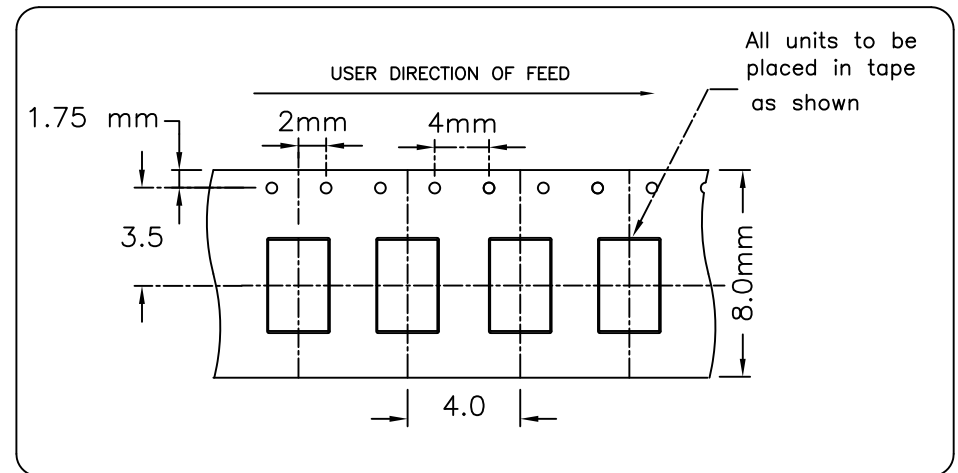
- 1) PROCESS IN ACCORDANCE WITH EIA-481-2 STANDARDS
  - \* TAPE LEADER DIMENSION 15.30" MIN.
  - \* TAPE TRAILER DIMENSION 6.30" MIN.
- 2) PARTS SHOULD BE PACKAGED IN ACCORDANCE WITH ESD GUIDELINES IN EIA-541.
- 3) REEL LABEL: 'A' \* PART NUMBER
  - \* QUANTITY
  - \* DATE CODE
- 4) 3000PCS PER 7" REEL



REEL AND TAPE ORIENTATION

**7" REEL DIAMETER**

DETAIL A



DOC. REV. A/1

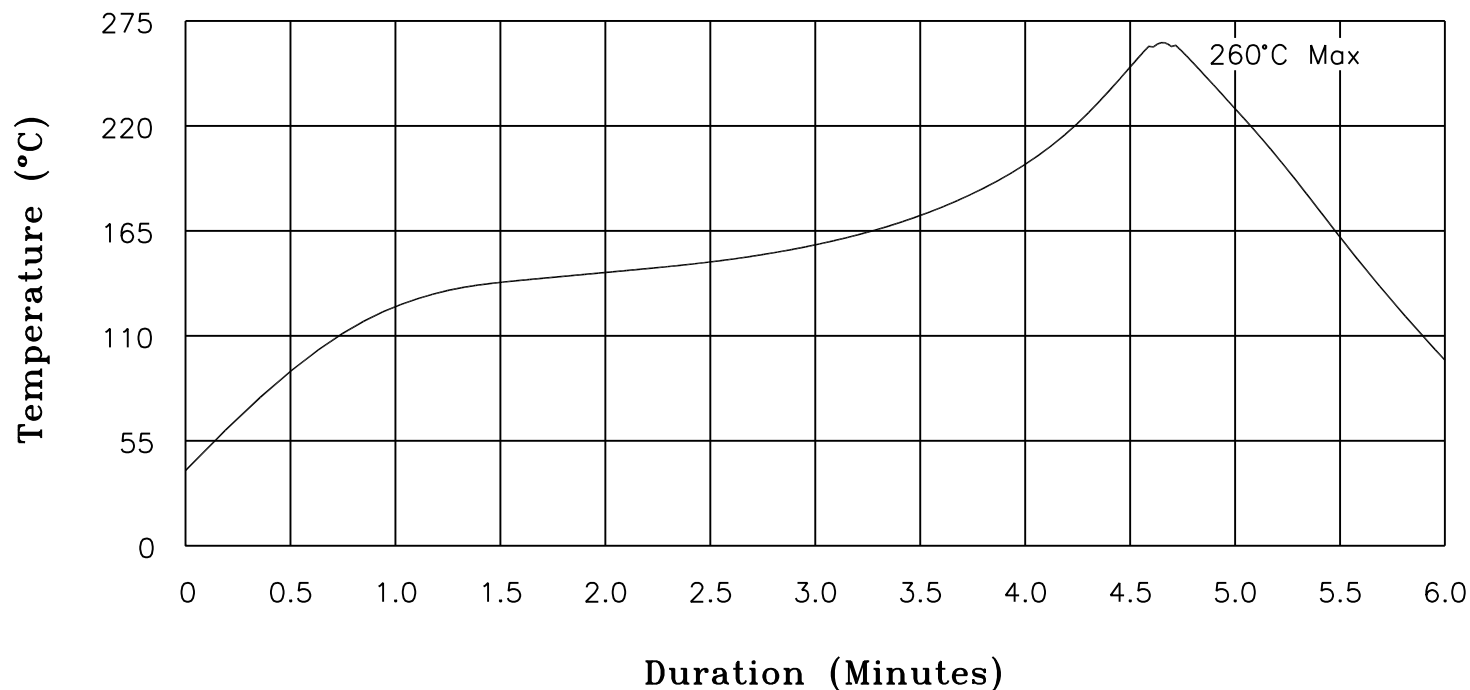
<b>XFMRs Inc</b>		Title: T&R SPEC	
UNLESS OTHERWISE SPECIFIED TOLERANCES: .xxs ±xxxxx Dimensions in mm	P/N: XFHCL43 series		REV. A
	DWN.	Kong	Dec-13-17
	CHK.	YK Liao	Dec-13-17
SHT 1 OF 1	APP.	GL	Dec-13-17

**PROPRIETARY**

Document is the property of XFMRs Group & is not allowed to be duplicated without authorization.

# XFMRs

## Recommended Infrared Reflow Temperature Profile for RoHS Compliant Parts



NOTES: Maximum duration at 260°+0/-5° with 10 seconds Max.  
 Maximum duration above 217° shall be 60-150 seconds.  
 ALL Temperatures refer to topside of the package, measured on the package body surface.

<b>XFMRs Inc</b> www.XFMRs.com	Title: <b>IR REFLOW CHART</b> <b>(RoHS Compliant parts)</b>		
	UNLESS OTHERWISE SPECIFIED TOLERANCES: N/A	P/N: N/A	REV. A
	DWN.	Juan Mao	Jan-16-05
	CHK.	YK Liao	Jan-16-05
SHEET 1 OF 1	APP.	MS	Jan-16-05

**PROPRIETARY**

Document is the property of XFMRs Group & is not allowed to be duplicated without authorization.