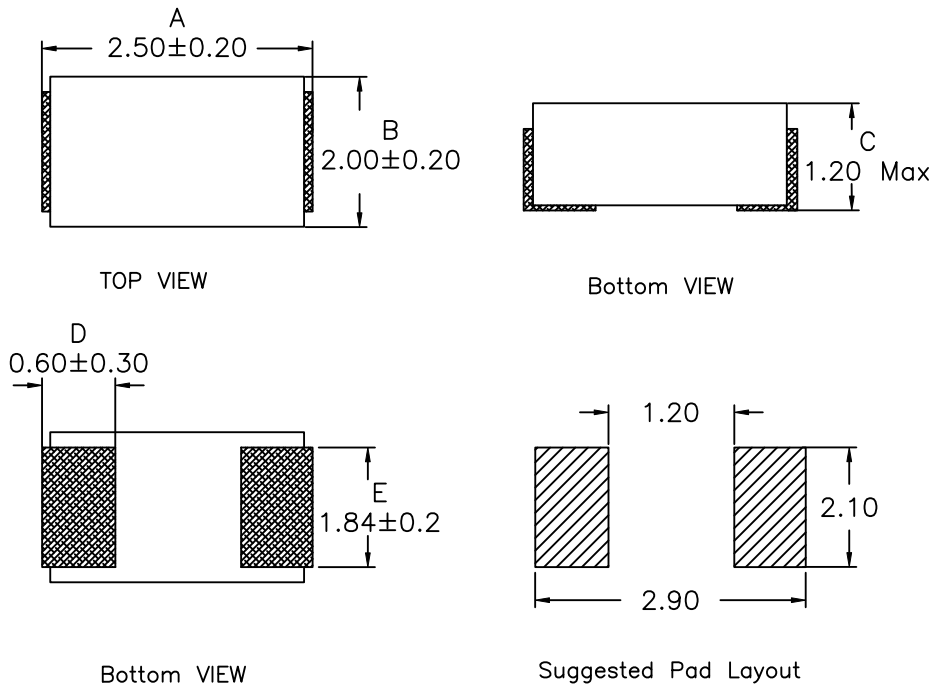
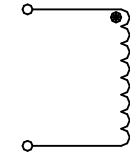


1. Mechanical Dimensions:



2. Schematic:



3. Electrical Specifications: @25°C

OCL: 470nH \pm 20% @1MHz, 1.0V

Q: 9.0 Min @1MHz, 1.0V

DCR: 25mOhms Max

Isat: 3.8A (Based on 30% Typ Drop in OCL)

Irms: 4.5A (Based on 40°C Typ Temp Rise)

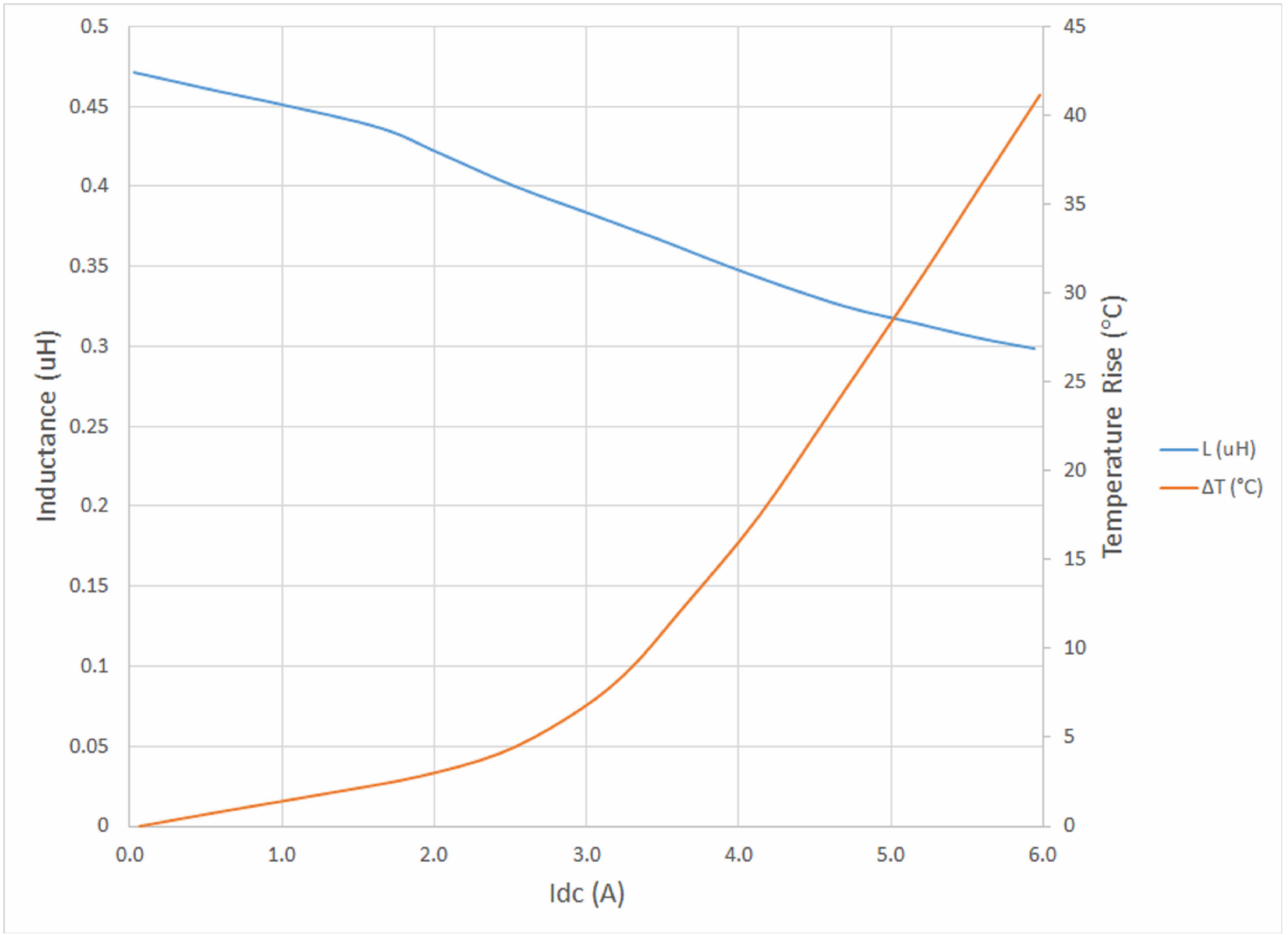
SRF: 80 MHz Min

Notes:

1. Solderability: Leads shall meet MIL-STD-202G, Method 208H for solderability.
2. Flammability: UL94V-0
3. ASTM oxygen index: > 28%
4. Insulation System: Class F 155°C. UL file E151556
5. Operating Temperature: -55°C to +125°C
6. Storage Temperature Range: -45°C to +125°C
7. Aqueous wash compatible
8. SMD Lead Coplanarity: $\pm 0.004''$ (0.102mm)
9. Electrical and mechanical specifications 100% tested
10. RoHS Compliant Component
11. Outsourced item processed & controlled under XFMRs QA system
12. AEC-Q200 Certified Product
13. Recommended IR Reflow peak temp of 260°C Max

DOC REV.: A/2

XFMRs Inc www.XFMRs.com	Title: SMD INDUCTOR		
	UNLESS OTHERWISE SPECIFIED TOLERANCES: .xx \pm 0.25 Dimensions in MM	P/N: XFHCL43-R47M	REV. A
SHEET 1 OF 2	DWN.	Xiang	Nov-17-20
	CHK.	YK Liao	Nov-17-20
	APP.	DDC	Nov-17-20



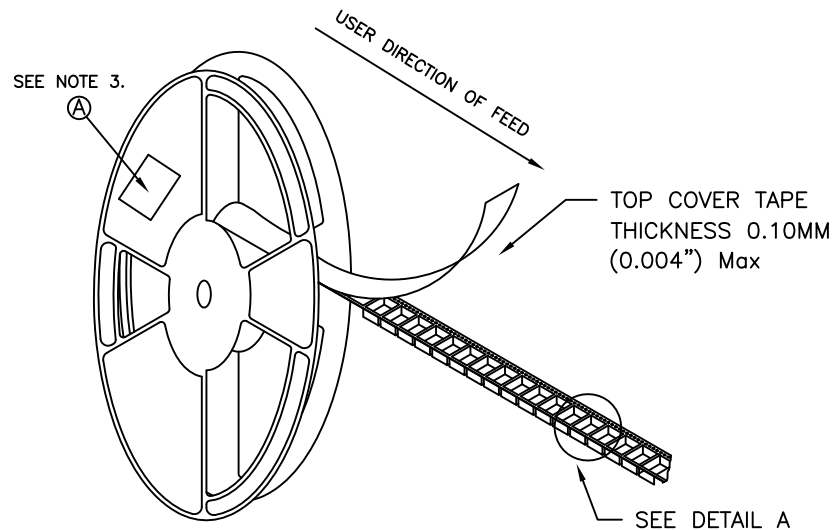
DOC REV.: A/2

XFMRs Inc www.XFMRs.com	Title: SMD INDUCTOR		
	UNLESS OTHERWISE SPECIFIED TOLERANCES: .xx ±0.25 Dimensions in MM	P/N: XFHCL43-R47M	REV. A
SHEET 2 OF 2	DWN.	Xiang	Nov-17-20
	CHK.	YK Liao	Nov-17-20
	APP.	DDC	Nov-17-20

TAPE AND REEL SPECIFICATION:

NOTES:

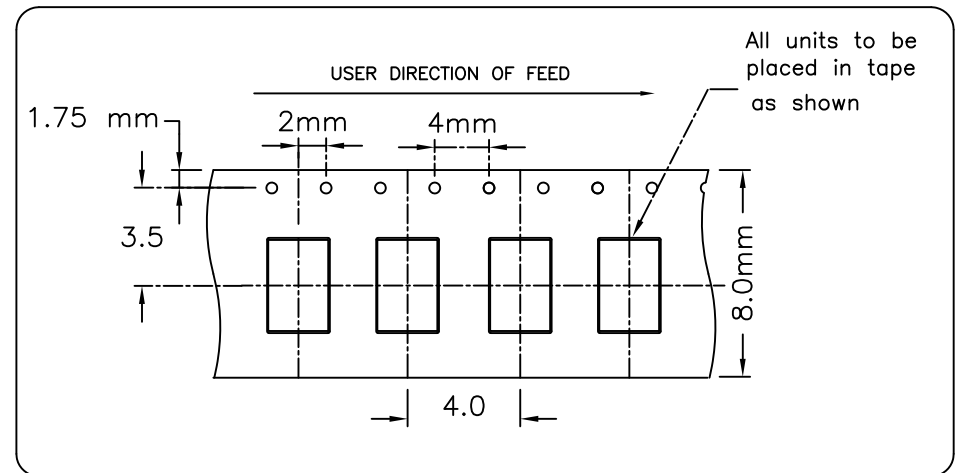
- 1) PROCESS IN ACCORDANCE WITH EIA-481-2 STANDARDS
 - * TAPE LEADER DIMENSION 15.30" MIN.
 - * TAPE TRAILER DIMENSION 6.30" MIN.
- 2) PARTS SHOULD BE PACKAGED IN ACCORDANCE WITH ESD GUIDELINES IN EIA-541.
- 3) REEL LABEL: 'A' * PART NUMBER
 - * QUANTITY
 - * DATE CODE
- 4) 3000PCS PER 7" REEL



REEL AND TAPE ORIENTATION

7" REEL DIAMETER

DETAIL A



DOC. REV. A/1

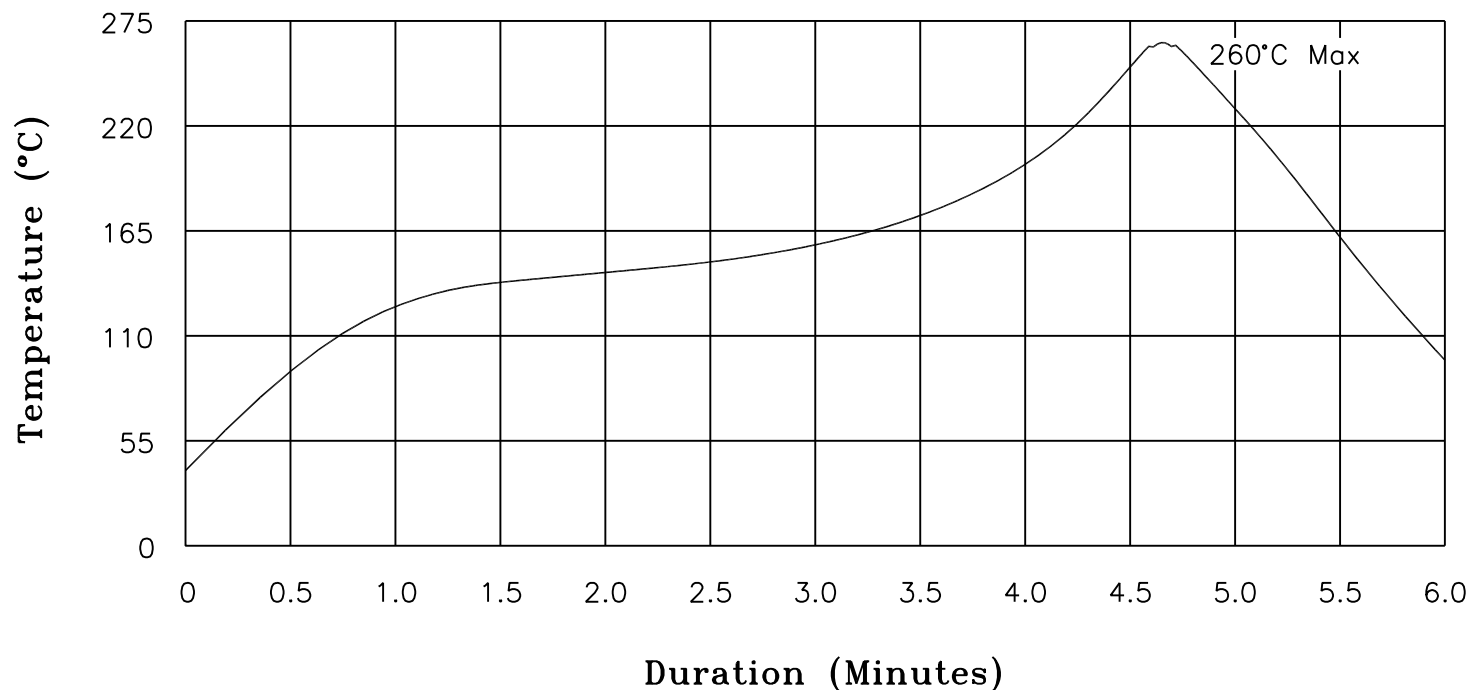
XFMRs Inc		Title: T&R SPEC	
UNLESS OTHERWISE SPECIFIED TOLERANCES: .xxs ±xxxxx Dimensions in mm		P/N: XFHCL43 series	REV. A
SHT 1 OF 1		DWN.	Kong
		CHK.	YK Liao
		APP.	GL
			Dec-13-17
			Dec-13-17
			Dec-13-17

PROPRIETARY

Document is the property of XFMRs Group & is not allowed to be duplicated without authorization.

XFMRs

Recommended Infrared Reflow Temperature Profile for RoHS Compliant Parts



NOTES: Maximum duration at 260°+0/-5° with 10 seconds Max.
 Maximum duration above 217° shall be 60-150 seconds.
 ALL Temperatures refer to topside of the package, measured on the package body surface.

XFMRs Inc www.XFMRs.com	Title: IR REFLOW CHART (RoHS Compliant parts)			
	UNLESS OTHERWISE SPECIFIED TOLERANCES: N/A	P/N: N/A	REV. A	
	DWN.	Juan Mao	Jan-16-05	
	CHK.	YK Liao	Jan-16-05	
SHEET 1 OF 1	APP.	MS	Jan-16-05	

PROPRIETARY Document is the property of XFMRs Group & is not allowed to be duplicated without authorization.