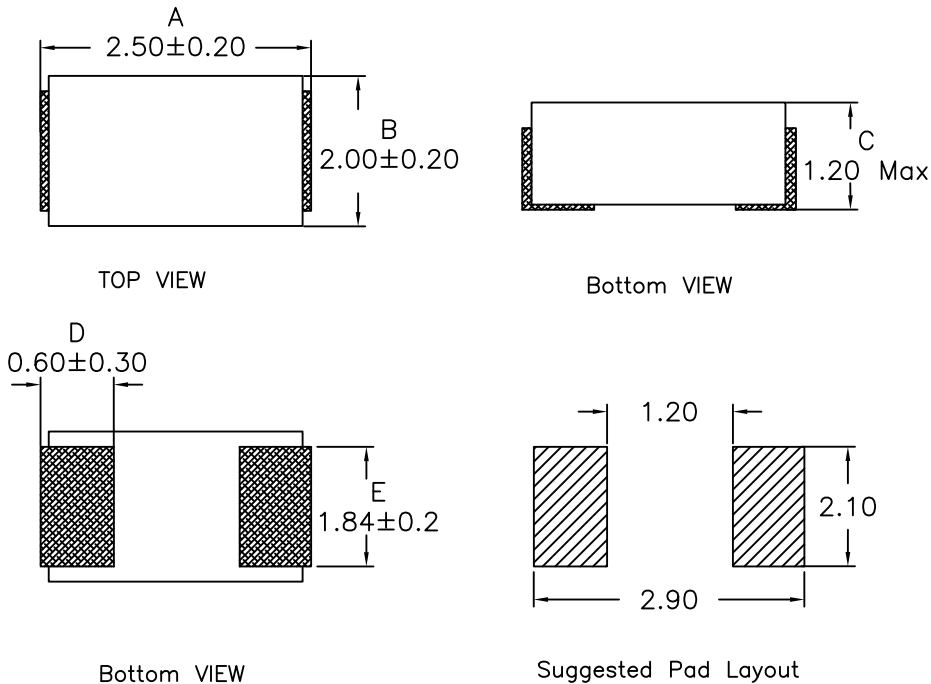


1. Mechanical Dimensions:



2. Schematic:



3. Electrical Specifications: @25°C

OCL: 330nH \pm 20% @1MHz, 1.0V

Q: 7.0 Min @1MHz, 1.0V

DCR: 17mOhms Max

Isat: 4.3A (Based on 30% Typ Drop in OCL)

Irms: 5.6A (Based on 40°C Typ Temp Rise)

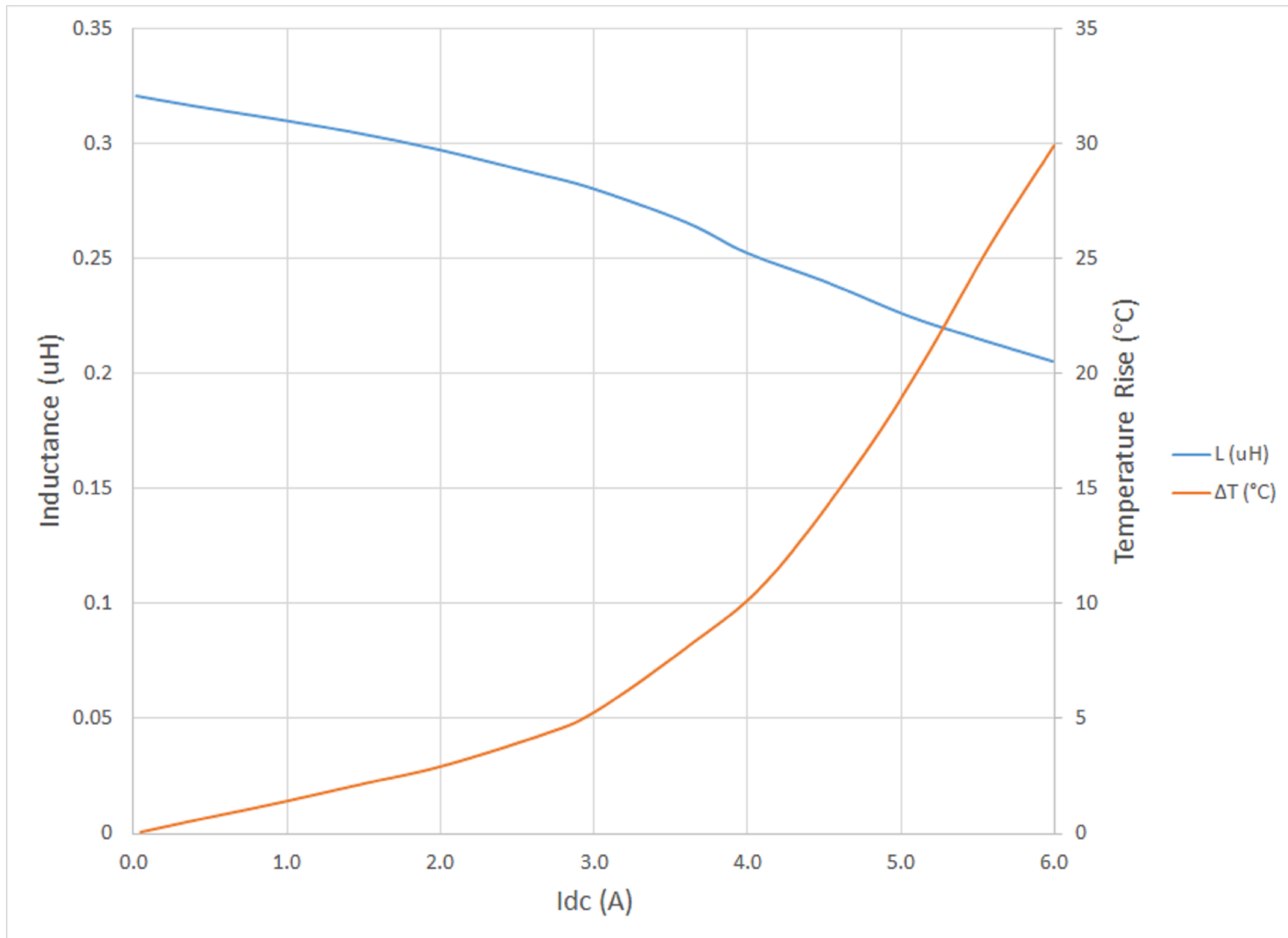
SRF: 100 MHz Min

Notes:

1. Solderability: Leads shall meet MIL-STD-202G, Method 208H for solderability.
2. Flammability: UL94V-0
3. ASTM oxygen index: > 28%
4. Insulation System: Class F 155°C. UL file E151556
5. Operating Temperature: -55°C to +125°C
6. Storage Temperature Range: -45°C to +125°C
7. Aqueous wash compatible
8. SMD Lead Coplanarity: $\pm 0.004''$ (0.102mm)
9. Electrical and mechanical specifications 100% tested
10. RoHS Compliant Component
11. Outsourced item processed & controlled under XFMRs QA system
12. Recommended IR Reflow peak temp of 260°C Max

DOC REV.: A/1

XFMRs Inc www.XFMRs.com	Title: SMD INDUCTOR		
	UNLESS OTHERWISE SPECIFIED	P/N: XFHCL43-R33M	REV. A
TOLERANCES: .xx \pm 0.25	DWN.	Xiang	Mar-01-19
Dimensions in MM	CHK.	YK Liao	Mar-01-19
SHEET 1 OF 2	APP.	DDC	Mar-01-19



DOC REV.: A/1

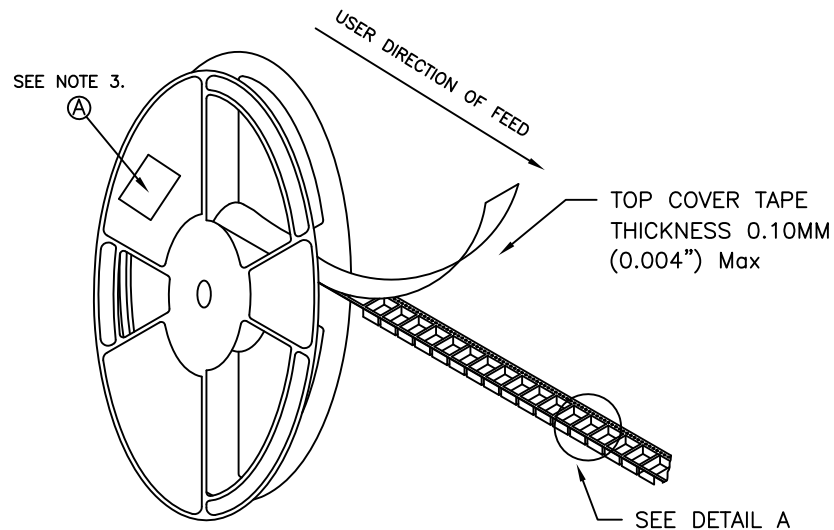
XFMRs Inc www.XFMRs.com	Title: SMD INDUCTOR		
	UNLESS OTHERWISE SPECIFIED	P/N: XFHCL43-R33M	REV. A
TOLERANCES: .xx ±0.25	DWN.	Xiang	Mar-01-19
Dimensions in MM	CHK.	YK Liao	Mar-01-19
SHEET 2 OF 2	APP.	DDC	Mar-01-19

PROPRIETARY Document is the property of XFMRs Group & is not allowed to be duplicated without authorization.

TAPE AND REEL SPECIFICATION:

NOTES:

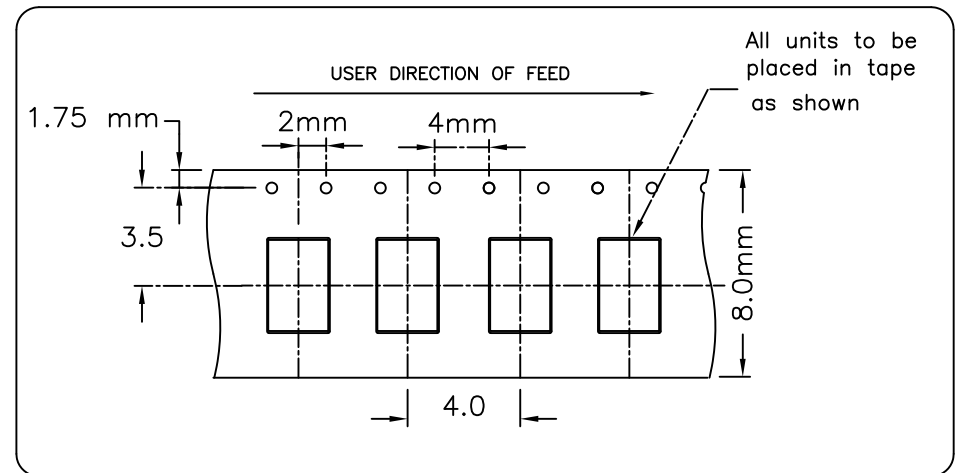
- 1) PROCESS IN ACCORDANCE WITH EIA-481-2 STANDARDS
 - * TAPE LEADER DIMENSION 15.30" MIN.
 - * TAPE TRAILER DIMENSION 6.30" MIN.
- 2) PARTS SHOULD BE PACKAGED IN ACCORDANCE WITH ESD GUIDELINES IN EIA-541.
- 3) REEL LABEL: 'A' * PART NUMBER
 - * QUANTITY
 - * DATE CODE
- 4) 3000PCS PER 7" REEL



REEL AND TAPE ORIENTATION

7" REEL DIAMETER

DETAIL A



DOC. REV. A/1

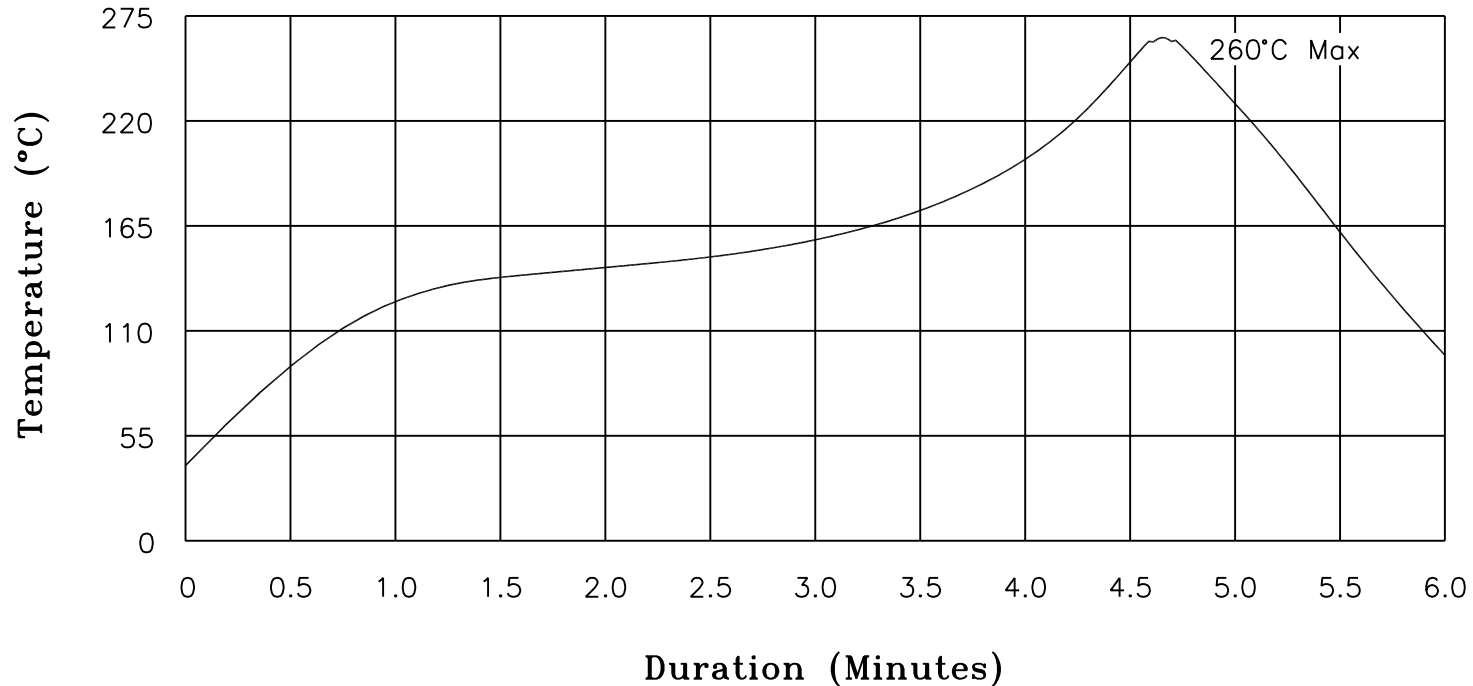
XFMR5 Inc	Title: T&R SPEC		
	UNLESS OTHERWISE SPECIFIED TOLERANCES: .xxs ±xxxxx Dimensions in mm		P/N: XFHCL43 series
SHT 1 OF 1	DWN.	Kong	Dec-13-17
	CHK.	YK Liao	Dec-13-17
	APP.	GL	Dec-13-17

PROPRIETARY

Document is the property of XFMR5 Group & is not allowed to be duplicated without authorization.

XFMRs

Recommended Infrared Reflow Temperature Profile for RoHS Compliant Parts



NOTES: Maximum duration at 260°+0/-5° with 10 seconds Max.
 Maximum duration above 217° shall be 60-150 seconds.
 ALL Temperatures refer to topside of the package, measured on the package body surface.

XFMRs Inc www.XFMRs.com	Title: IR REFLOW CHART (RoHS Compliant parts)		
	UNLESS OTHERWISE SPECIFIED TOLERANCES: N/A	P/N: N/A	REV. A
	DWN.	Juan Mao	Jan-16-05
	CHK.	YK Liao	Jan-16-05
SHEET 1 OF 1	APP.	MS	Jan-16-05

PROPRIETARY Document is the property of XFMRs Group & is not allowed to be duplicated without authorization.