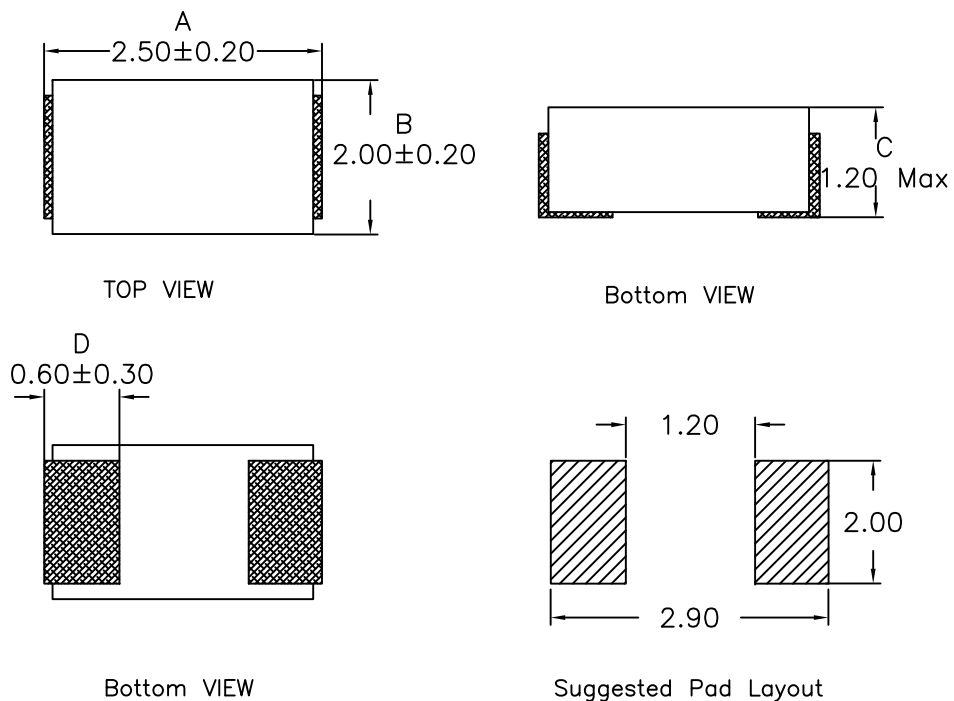
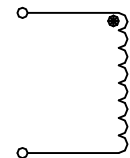


1. Mechanical Dimensions:



2. Schematic:



3. Electrical Specifications: @25°C

OCL: $1.0\mu\text{H} \pm 20\%$ @1MHz, 1.0V

Q: 15 Min @1MHz, 1.0V

DCR: 53mOhms Max

Isat: 3.4A (Based on 30% Typ Drop in OCL)

I_{rms}: 3.4A (Based on 40°C Typ Temp Rise)

SRF: 50.0 MHz Min

Notes:

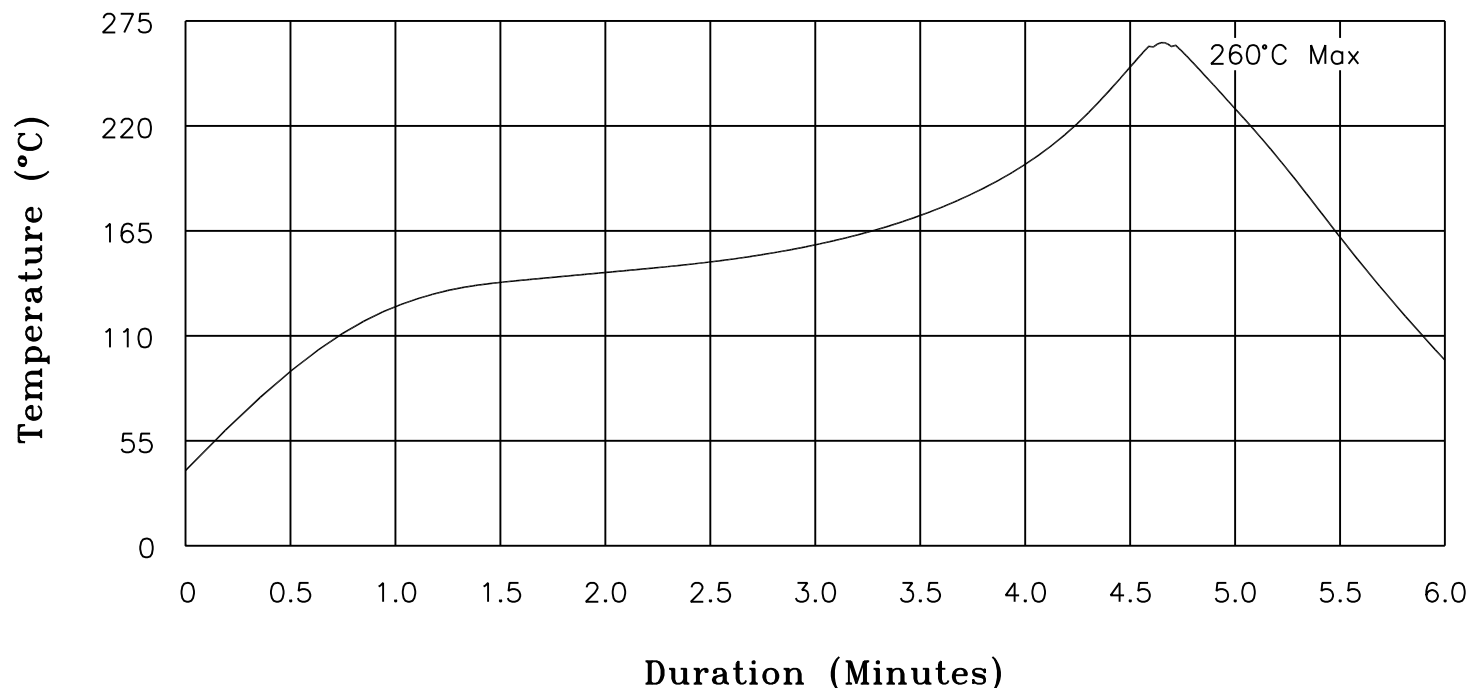
- Solderability: Leads shall meet MIL-STD-202G, Method 208H for solderability.
- Flammability: UL94V-0
- ASTM oxygen index: > 28%
- Insulation System: Class F 155°C. UL file E151556
- Operating Temperature: -55°C to +125°C
- Storage Temperature Range: -45°C to +125°C
- Aqueous wash compatible
- SMD Lead Coplanarity: $\pm 0.004'' (0.102\text{mm})$
- Electrical and mechanical specifications 100% tested
- RoHS Compliant Component
- Outsourced item processed & controlled under XFMRs QA system

DOC REV.: A/3

| | | | |
|-----------------------------------|----------------------------|-------------------|-----------|
| XFMRs Inc www.XFMRs.com | Title: SMD INDUCTOR | | |
| | UNLESS OTHERWISE SPECIFIED | P/N: XFHCL43-1R0M | REV. A |
| TOLERANCES: .xx ± 0.25 | DWN. | Xiang | Dec-19-17 |
| Dimensions in MM | CHK. | YK Liao | Dec-19-17 |
| SHEET 1 OF 1 | APP. | GL | Dec-19-17 |

XFMRs

Recommended Infrared Reflow Temperature Profile for RoHS Compliant Parts



NOTES: Maximum duration at 260°+0/-5° with 10 seconds Max.
 Maximum duration above 217° shall be 60-150 seconds.
 ALL Temperatures refer to topside of the package, measured on the package body surface.

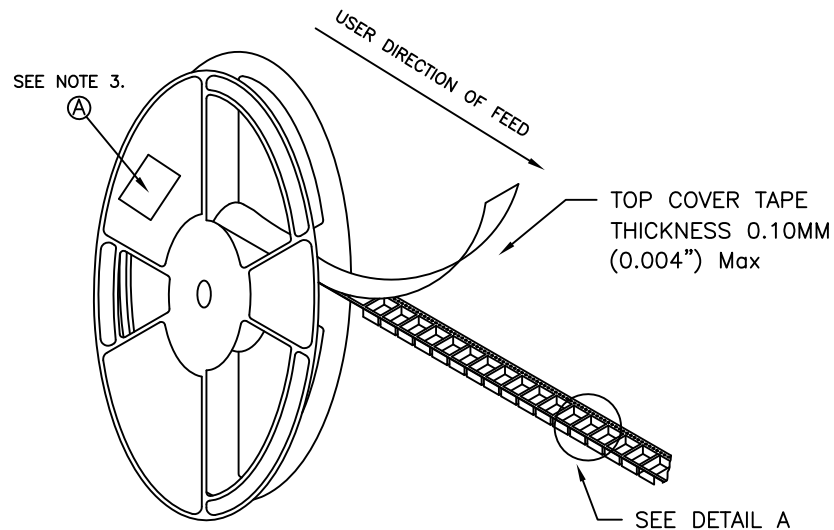
| | | | |
|-----------------------------------|--|----------|-----------|
| XFMRs Inc www.XFMRs.com | Title: IR REFLOW CHART (RoHS Compliant parts) | | |
| | UNLESS OTHERWISE SPECIFIED TOLERANCES: N/A | P/N: N/A | REV. A |
| | DWN. | Juan Mao | Jan-16-05 |
| | CHK. | YK Liao | Jan-16-05 |
| SHEET 1 OF 1 | APP. | MS | Jan-16-05 |

PROPRIETARY Document is the property of XFMRs Group & is not allowed to be duplicated without authorization.

TAPE AND REEL SPECIFICATION:

NOTES:

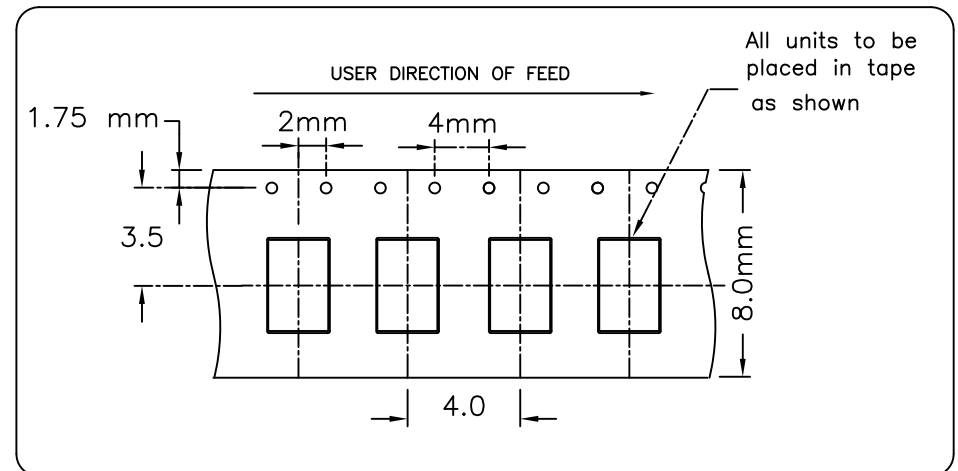
- 1) PROCESS IN ACCORDANCE WITH EIA-481-2 STANDARDS
 - * TAPE LEADER DIMENSION 15.30" MIN.
 - * TAPE TRAILER DIMENSION 6.30" MIN.
- 2) PARTS SHOULD BE PACKAGED IN ACCORDANCE WITH ESD GUIDELINES IN EIA-541.
- 3) REEL LABEL: 'A' * PART NUMBER
 - * QUANTITY
 - * DATE CODE
- 4) 3000PCS PER 7" REEL



REEL AND TAPE ORIENTATION

7" REEL DIAMETER

DETAIL A



DOC. REV. A/1

| | | | |
|------------------|---|---------|---------------------|
| XFMRs Inc | Title: T&R SPEC | | |
| | UNLESS OTHERWISE SPECIFIED TOLERANCES: .xxs ±xxxxx Dimensions in mm | | P/N: XFHCL43 series |
| SHT 1 OF 1 | DWN. | Kong | Dec-13-17 |
| | CHK. | YK Liao | Dec-13-17 |
| | APP. | GL | Dec-13-17 |