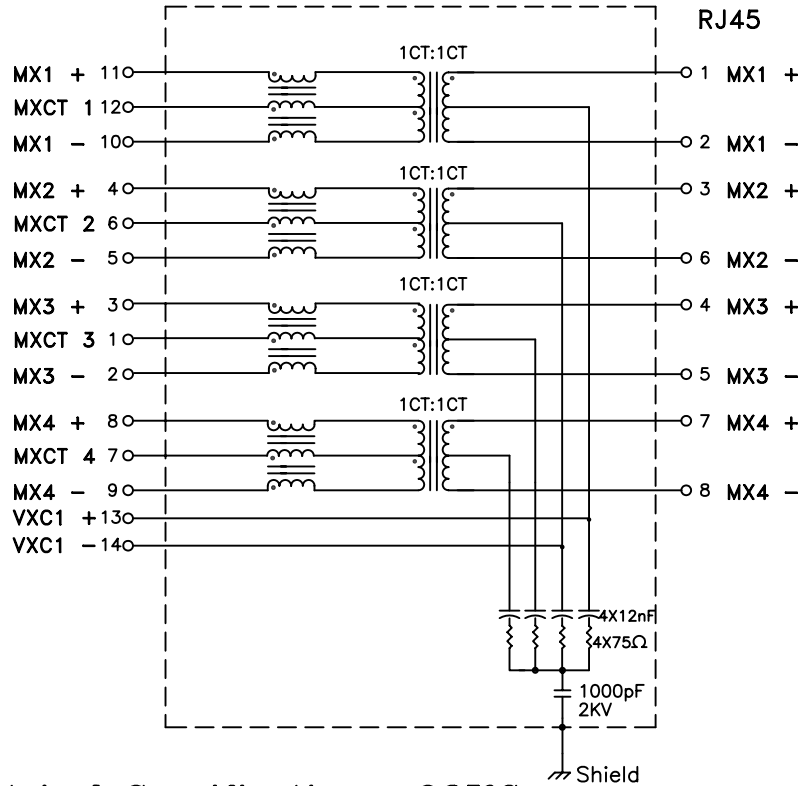


Schematic:



Electrical Specifications: @25°C

Isolation Voltage: 1500 Vrms @60Hz 1MIN

Common Mode Rejection: @1–50MHz –30dB Typ
@50–130MHz –20dB Typ

Crosstalk: @1–10MHz –40dB Typ
@30–60MHz –35dB Typ
@60–100MHz –30dB Typ

Insertion Loss (1–100MHz): –1.0dB Typ

Return Loss: @1–10MHz –20dB Typ
@30MHz –16dB Typ
@60–80MHz –12dB Typ

Q: 18 Min @100KHz 0.1V

OCL: 350uH Minimum @100KHz 100mV 11mADC

Balanced DC Current: P13+14 350mA Max @57Vdc Continuous
P13+14 500mA Max @57Vdc 200mS

Notes:

1. Solderability: Leads shall meet MIL-STD-202G, Method 208H for solderability.
2. Flammability: UL94V-0
3. ASTM oxygen index: > 28%
4. UL Recognized Component: File Number E200238
5. Operating Temperature Range: All listed parameters are to be within tolerance from –40°C to +85°C
6. Storage Temperature Range: –55°C to +125°C
7. Aqueous wash compatible
8. Electrical and mechanical specifications 100% tested
9. RoHS Compliant Component

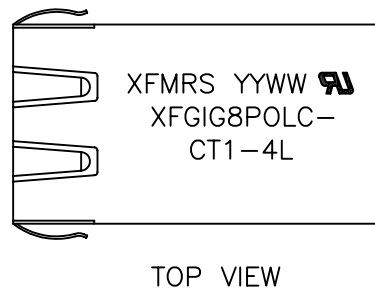
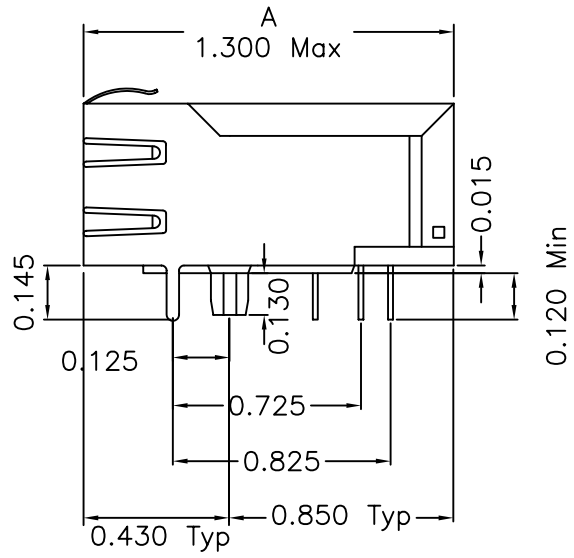
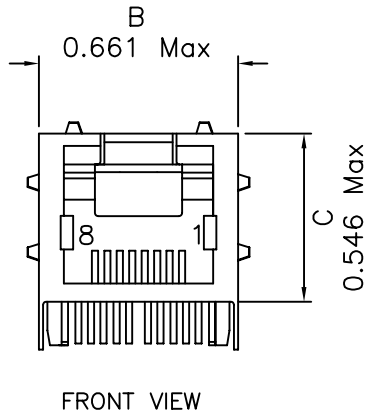
DOC. REV: A/1

PROPRIETARY:

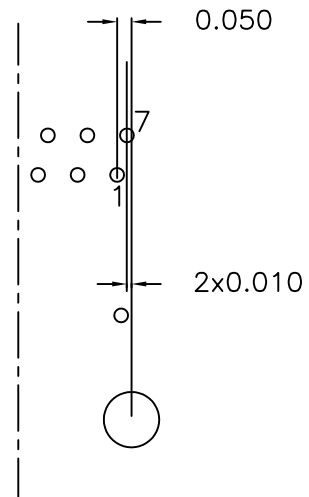
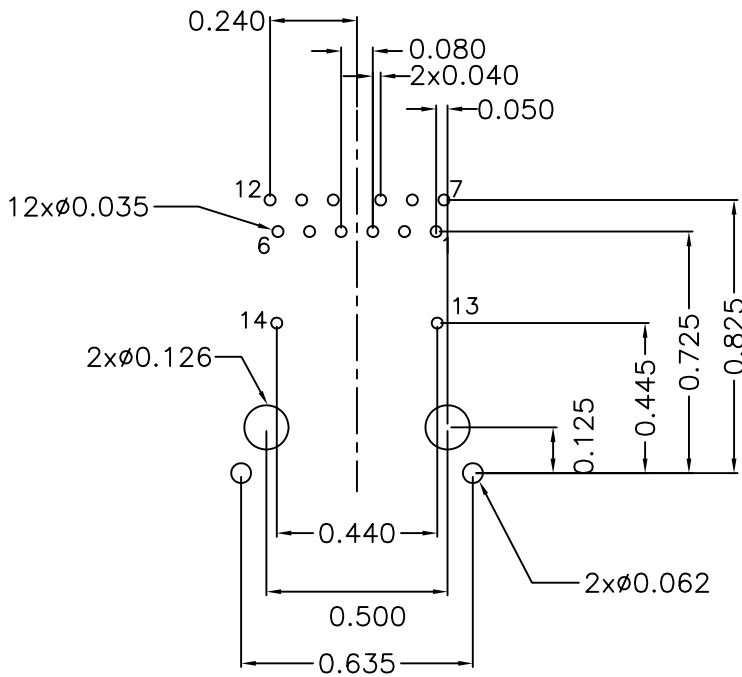
Document is the property of XFMRs Group & is not allowed to be duplicated without authorization.

XFMRs Inc www.XFMRs.com	Title: SINGLE PORT COMBO GigE POE+		
	UNLESS OTHERWISE SPECIFIED TOLERANCES: .xxx ±0.010 Dimensions in Inch	P/N: XFGIG8POLC-CT1-4L	REV. A
SHEET 1 OF 2	DWN.	Feng	Jun-20-11
	CHK.	YK Liao	Jun-20-11
	APP.	BW	Jun-20-11

Mechanical Dimensions:



Mounting Pattern:



DOC REV: A/1

PROPRIETARY:

Document is the property of XFMR5 Group & is not allowed to be duplicated without authorization.

XFMR5 Inc www.XFMR5.com		Title: Mechanical Dimensions For TAB UP RJ45 COMBO	
UNLESS OTHERWISE SPECIFIED TOLERANCES: .xxx \pm 0.010 Dimensions in Inch		P/N: XFGIG8POLC-CT1-4L	REV. A
DWN.	Feng	Jun-20-11	
CHK.	YK Liao	Jun-20-11	
SHEET 2 OF 2	APP.	BW	Jun-20-11