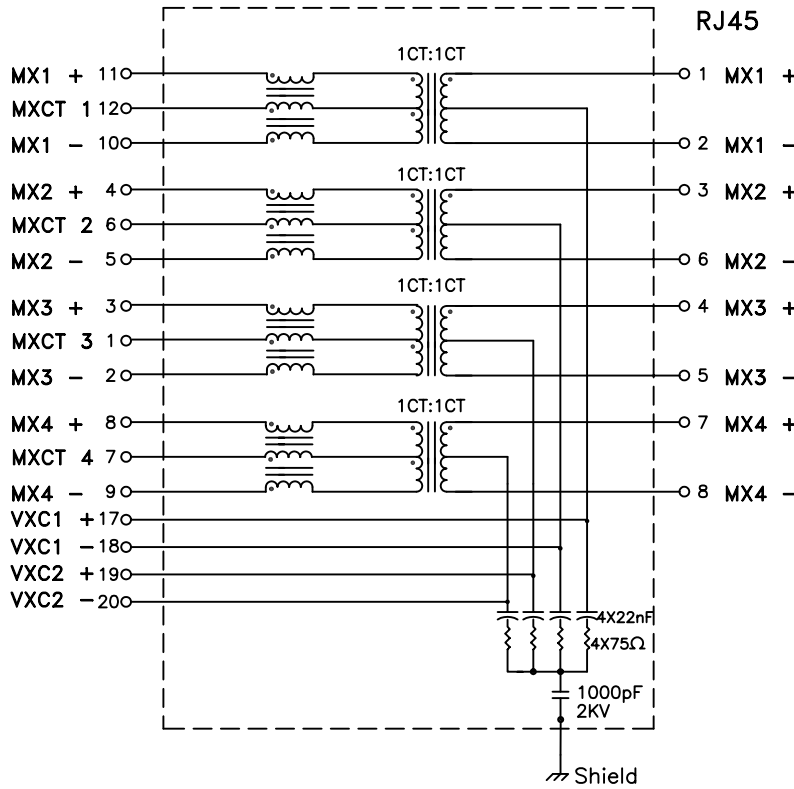


# Schematic:



## Electrical Specifications: @25°C

Isolation Voltage: 1500 Vrms @60Hz 1MIN

Common Mode Rejection: @1-50MHz -30dB Typ  
@50-130MHz -20dB Typ

Crosstalk: @1-10MHz -40dB Typ  
@30-60MHz -35dB Typ  
@60-100MHz -30dB Typ

Insertion Loss (1-100MHz): -1.0dB Typ

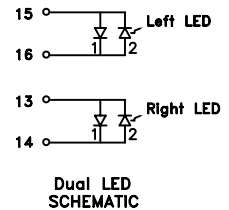
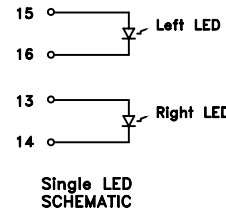
Return Loss: @1-10MHz -20dB Typ  
@30MHz -16dB Typ  
@60-80MHz -12dB Typ

Q: 18 Min @100KHz 0.1V

### Notes:

- Solderability: Leads shall meet MIL-STD-202G, Method 208H for solderability.
- Flammability: UL94V-0
- ASTM oxygen index: > 28%
- UL Recognized Component: File Number E200238
- Operating Temperature Range: All listed parameters are to be within tolerance from -40°C to +85°C
- Storage Temperature Range: -55°C to +125°C
- Aqueous wash compatible
- Electrical and mechanical specifications 100% tested
- RoHS Compliant Component

DOC. REV: A/2



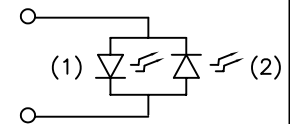
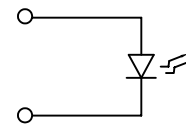
Complete the Combo P/N as follows:

Replace 'x' & 'u' in the part number with one of the LED color letters:

Y=Yellow  
G=Green  
A=Amber  
R=Red  
C=Green(1)/Amber(2) Bicolor  
D=Amber(1)/Green(2) Bicolor  
M=Green(1)/Yellow(2) Bicolor  
N=Yellow(1)/Green(2) Bicolor  
P=Red(1)/Green(2) Bicolor  
Q=Green(1)/Red(2) Bicolor

Single Color LED:

Bi-Color LED:



**XFMRS Inc**  
www.XFMRS.com

Title: SINGLE PORT COMBO  
w/LEDs, GigE POE+

UNLESS OTHERWISE SPECIFIED

P/N: XFGIG8POL-CTxu1-4L

REV. A

TOLERANCES:  
.xxx ±0.010

DWN.

Feng

Mar-04-11

Dimensions in Inch

CHK.

YK Liao

Mar-04-11

SHEET 1 OF 2

APP.

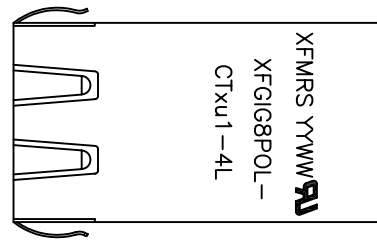
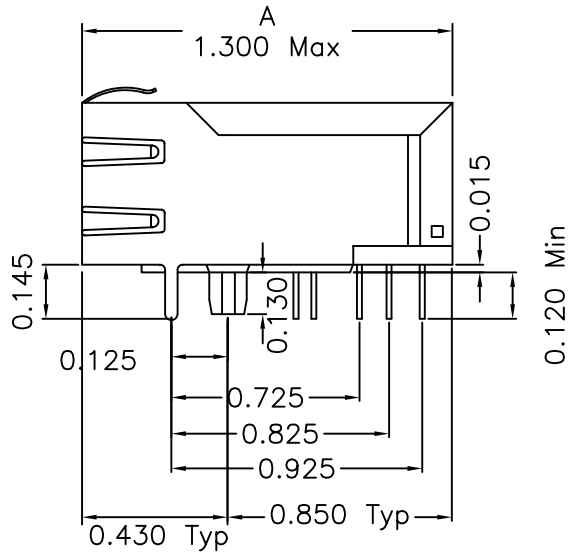
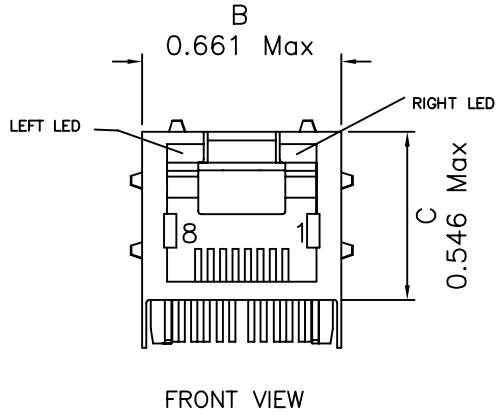
BW

Mar-04-11

**PROPRIETARY:**

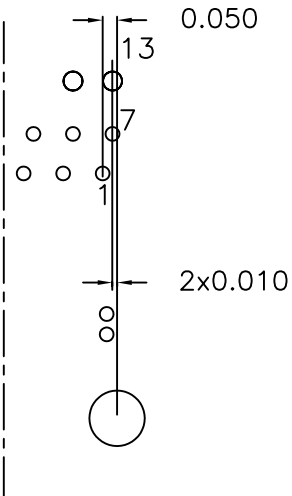
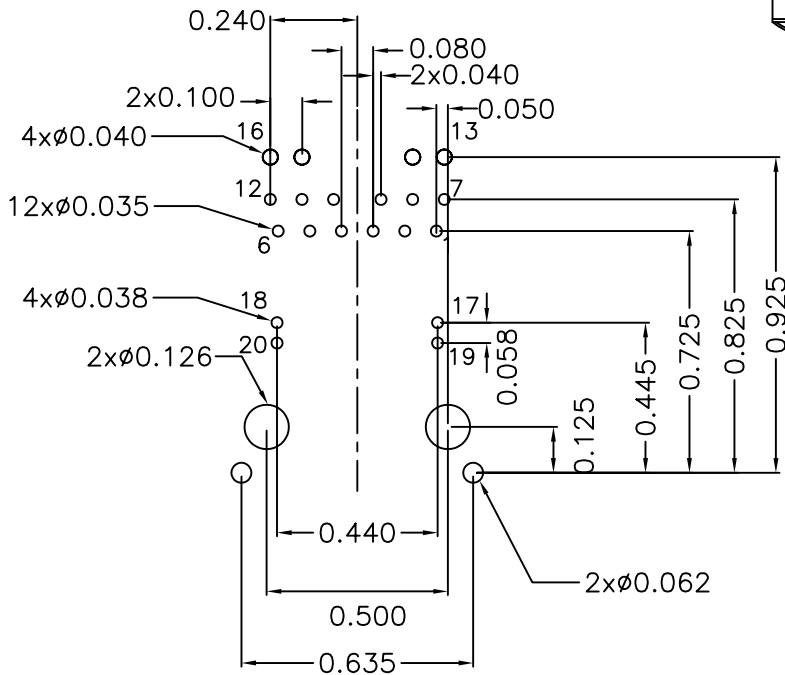
Document is the property of XFMRS Group & is not allowed to be duplicated without authorization.

### Mechanical Dimensions:



TOP VIEW

### Mounting Pattern:



DOC REV: A/2

**XFMRS Inc**  
www.XFMRS.com

Title: Mechanical Dimensions  
For TAB UP RJ45 COMBO

UNLESS OTHERWISE SPECIFIED

P/N: XFGIG8POL-CTxu1-4L

REV. A

TOLERANCES:  
.xxx ±0.010

DWN.

Feng

Mar-04-11

Dimensions in Inch

CHK.

YK Liao

Mar-04-11

SHEET 2 OF 2

APP.

BW

Mar-04-11

**PROPRIETARY:**

Document is the property of XFMRS Group & is not allowed to be duplicated without authorization.