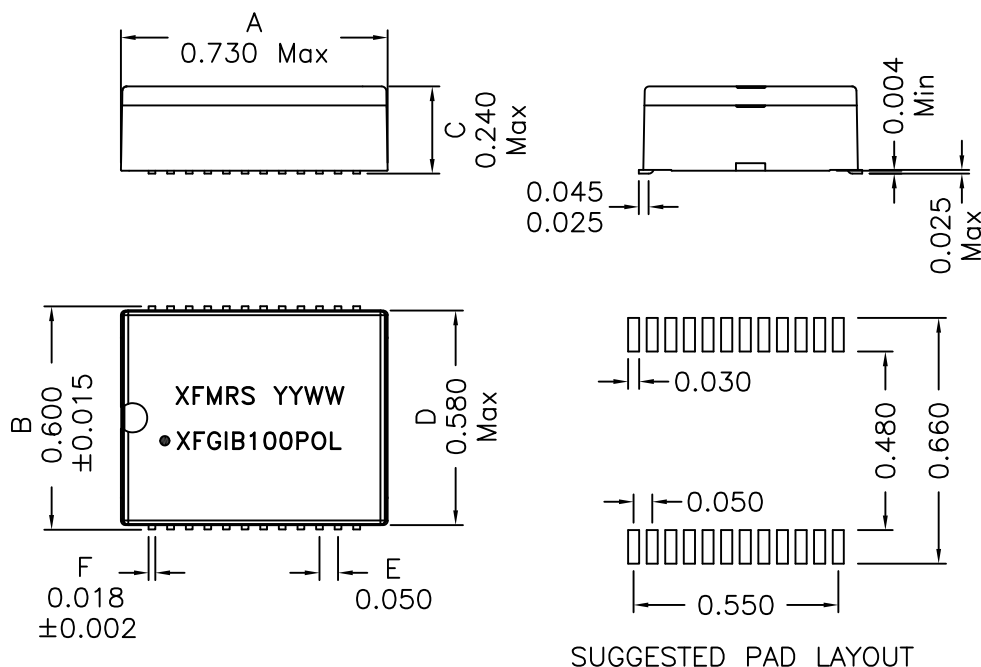
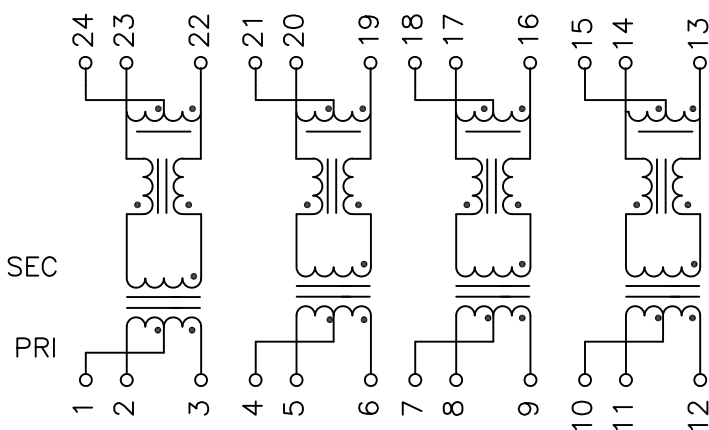


## 1. Mechanical Dimensions:



## 2. Schematic:



DOC. REV: B/1

## 3. Electrical Specifications: @25°C

ISOLATION: 1500 Vrms Pri to Sec  
 TURNS RATIO: (PRI/SEC) 1CT:1CT ±2%  
 OCL: 350uH MIN @100KHz 100mV 8mADC  
 Rise Time: 1.75ns Max.  
 INSERTION LOSS: -1.0dB MAX  
 @1MHz-100MHz, 0/350mA DC through Auto-XFMRS  
 RETURN LOSS: -18dB Min @1-40MHz  
 -12dB Min @40-80MHz  
 -10dB Min @80-100MHz  
 Differential to Common Mode Rejection:  
 -40dB Min @30-60MHz  
 -35dB Min @60-100MHz  
 CMRR: -30dB Min @1-100MHz  
 Crosstalk: -45dB Min @30MHz  
 -40dB Min @60MHz -35dB Min @100MHz  
 Secondary Auto-XFMR Rated Current: 350mADC  
 Q: 5 Min @10KHz 50mV

### Notes:

- Solderability: Leads shall meet MIL-STD-202G, Method 208H for solderability.
- Flammability: UL94V-0
- ASTM oxygen index: > 28%
- Insulation System: Class F 155°C. UL file E151556
- Operating Temperature Range: All listed parameters are to be within tolerance from -40°C to +85°C
- Storage Temperature Range: -55°C to +125°C
- Aqueous wash compatible
- SMD Lead Coplanarity: ±0.004" (0.102mm)
- Electrical and mechanical specifications 100% tested
- RoHS Compliant Component

<b>XFMRS Inc</b> www.XFMRS.com	Title: 1000BASE-T Modules		
	UNLESS OTHERWISE SPECIFIED	P/N: XFGIB100POL	REV. B
TOLERANCES: .xxx ±0.010	DWN.	Feng	Jul-06-12
Dimensions in INCH	CHK.	YK Liao	Jul-06-12
SHT 1 OF 1	APP.	BSJ	Jul-06-12

**PROPRIETARY**

Document is the property of XFMRS Group & is not allowed to be duplicated without authorization.