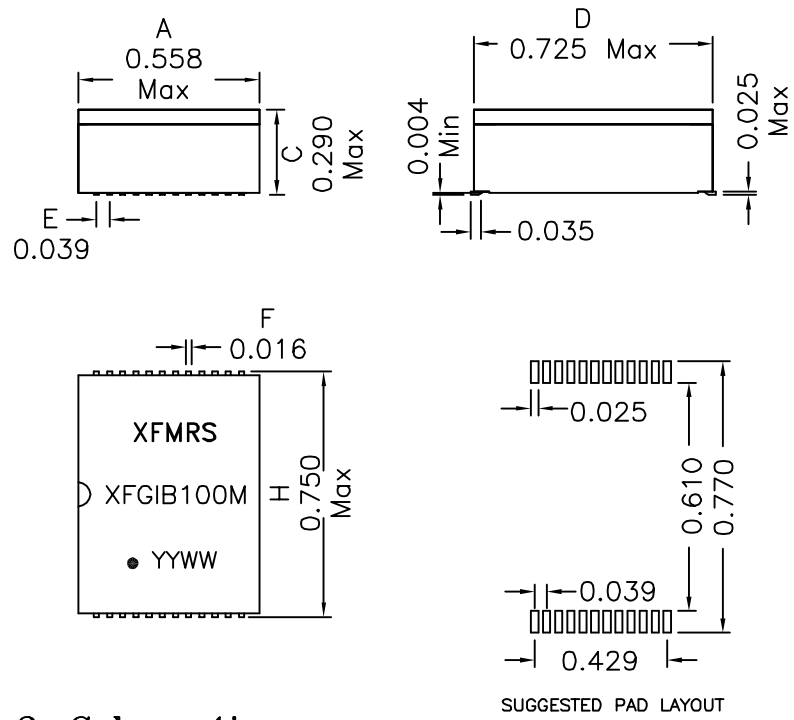
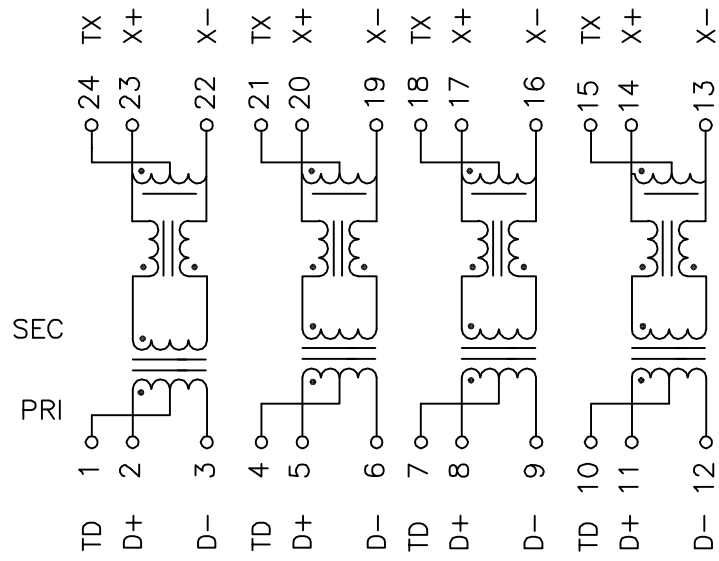


### 1. Mechanical Dimensions:



### 2. Schematic:



DOC. REV: B/2

### 3. Electrical Specifications: @25°C

- ISOLATION: 1500 Vrms
- TURNS RATIO: (PRI/SEC) 1CT:1CT ±2%
- OCL: 350uH MIN @100KHz 100mV 8mADC
- Q: 5 Min @10KHz 50mV
- Rise Time: 1.75ns Max.
- INSERTION LOSS: -1.0dB MAX @1MHz-100MHz  
-1.5dB MAX @100-125MHz
- RETURN LOSS: -18dB Min @1-30MHz  
-18dB Min @40MHz -16dB Min @50MHz  
-12dB Min @60-80MHz -10dB Min @100MHz
- Differential to Common Mode Rejection:  
-43dB Min @30MHz -37dB Min @80MHz  
-33dB Min @100MHz
- CMRR: -50dB Min @2MHz -30dB Min @30MHz  
-15dB Min @200MHz
- Crosstalk: -50dB Min @1MHz -55dB Min @10MHz  
-33dB Min @100MHz

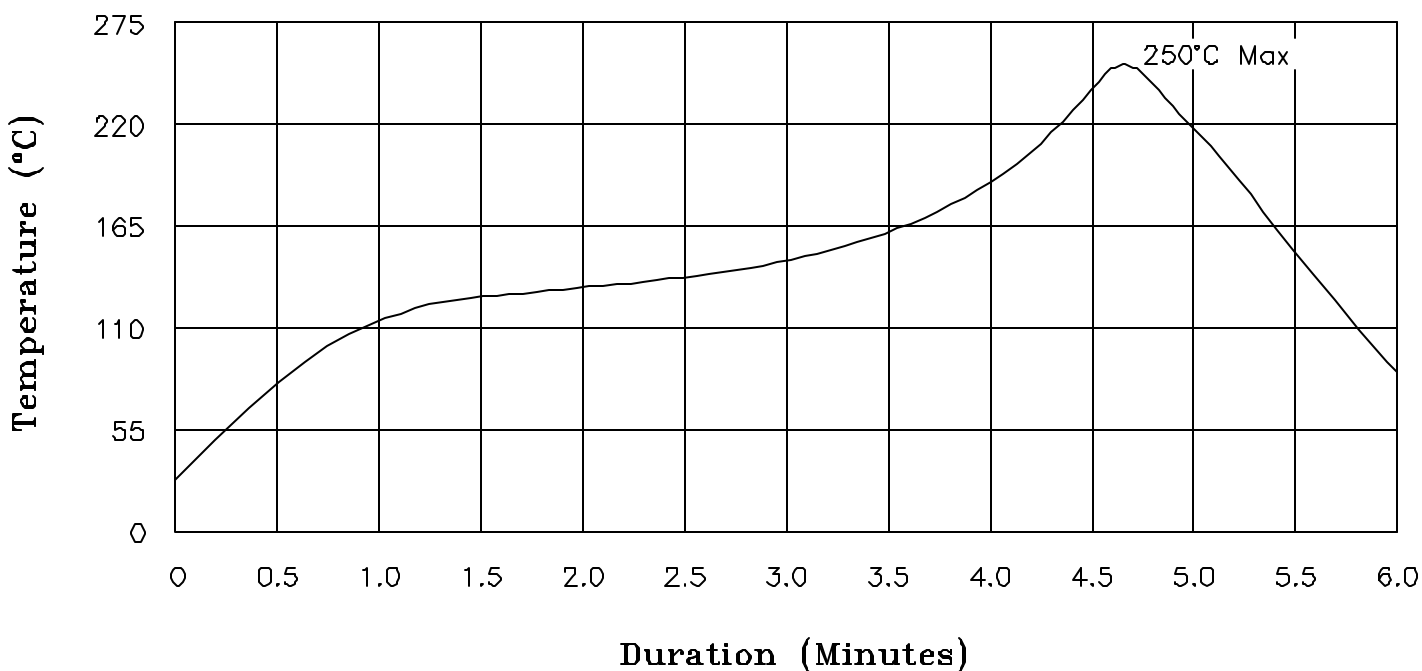
Notes:

- Solderability: Leads shall meet MIL-STD-202G, Method 208H for solderability.
- Flammability: UL94V-0
- ASTM oxygen index: > 28%
- Insulation System: Class F 155°C. UL file E151556
- Operating Temperature: -40°C to +85°C
- Storage Temperature Range: -55°C to +125°C
- Aqueous wash compatible
- SMD Lead Coplanarity: 0.004"(0.102mm) Max
- Electrical and mechanical specifications 100% tested
- RoHS Compliant Component
- Recommended IR Reflow peak temp of 250°C Max.

<b>XFMRs Inc</b> www.XFMRs.com		Title: <b>1000BASE-T Modules</b>	
UNLESS OTHERWISE SPECIFIED		P/N: XFGIB100M	REV. B
TOLERANCES: .xxx ±0.010		DWN.	Huo
Dimensions in INCH		CHK.	YK Liao
SHT 1 OF 1		APP.	DDC
			Apr-10-18
			Apr-10-18
			Apr-10-18

# XFMRs

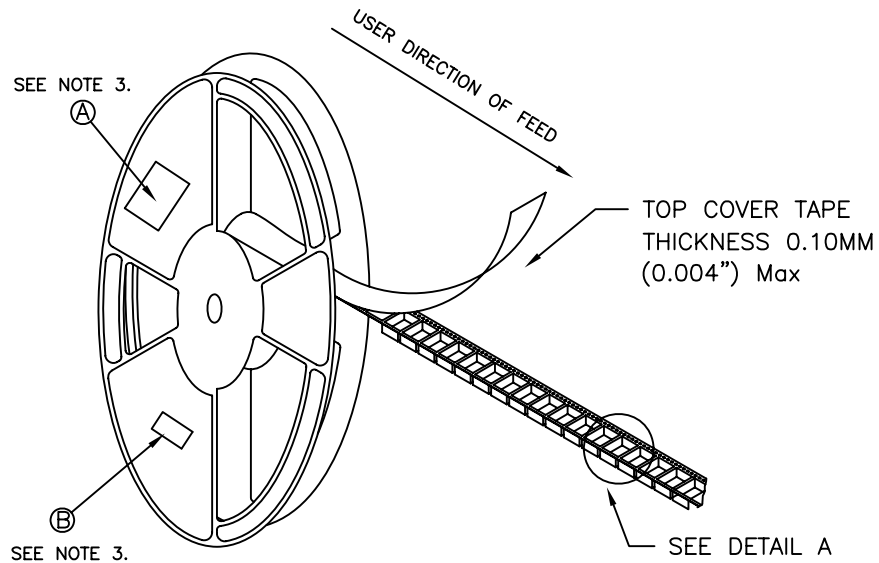
## Recommended Infrared Reflow Temperature Profile for Select Parts



NOTES: Maximum duration at 250°+0/-5° shall be 10-15 seconds.  
 Maximum duration above 217° shall be 50-120 seconds.  
 ALL Temperatures refer to topside of the package, measured on the package body surface.

<b>XFMRs Inc</b> www.XFMRs.com	Title: <b>IR REFLOW CHART (250°C)</b>		
	UNLESS OTHERWISE SPECIFIED TOLERANCES: N/A		P/N: N/A
	DWN.	Juan Mao	Dec-20-06
	CHK.	YK Liao	Dec-20-06
SHEET 1 OF 1	APP.	Joe Huff	Dec-20-06

# TAPE AND REEL SPECIFICATION:



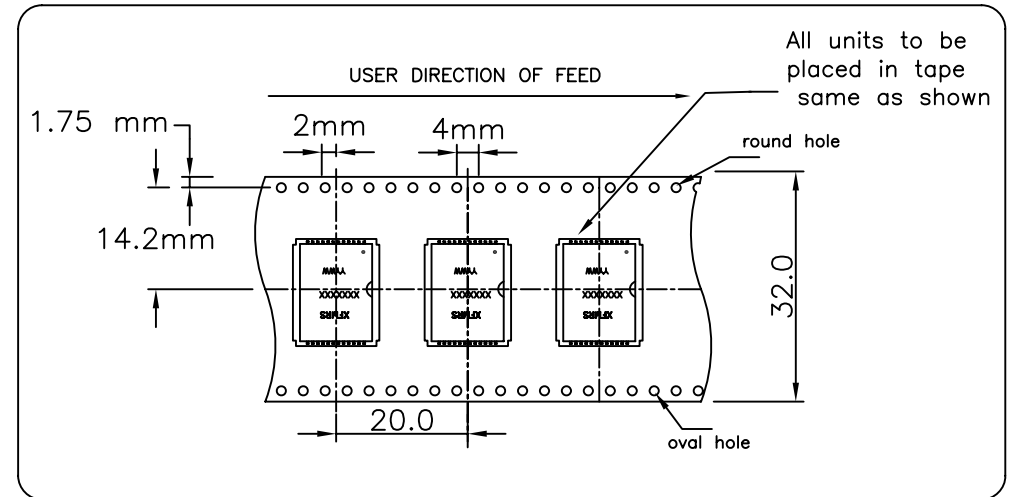
REEL AND TAPE ORIENTATION

**13" REEL DIAMETER**

## NOTES:

- 1) PROCESS IN ACCORDANCE WITH EIA-481-2 STANDARDS
  - \* TAPE LEADER DIMENSION 15.30" MIN.
  - \* TAPE TRAILER DIMENSION 6.30" MIN.
- 2) PARTS SHOULD BE PACKAGED IN ACCORDANCE WITH ESD GUIDELINES IN EIA-541.
- 3) REEL LABEL: 'A' \* PART NUMBER
  - \* QUANTITY
  - \* DATE CODE
 'B' - ANTI-STATIC CAUTION LABEL
- 4) 400PCS PER 13" REEL

DETAIL A



DOC REV: A/1

<b>XFMRs Inc</b> UNLESS OTHERWISE SPECIFIED TOLERANCES: .xxs ±xxxxxx Dimensions in mm SHT 2 OF 2	Title: T&R SPEC		
	P/N: XFATM9D2		REV:A
	DWN.	Kong	Jun-06-12
	CHK.	YK Liao	Jun-06-12
	APP.	Joe Huff	Jun-06-12

**PROPRIETARY**

Document is the property of XFMRs Group & is allowed to be duplicated without authorization.