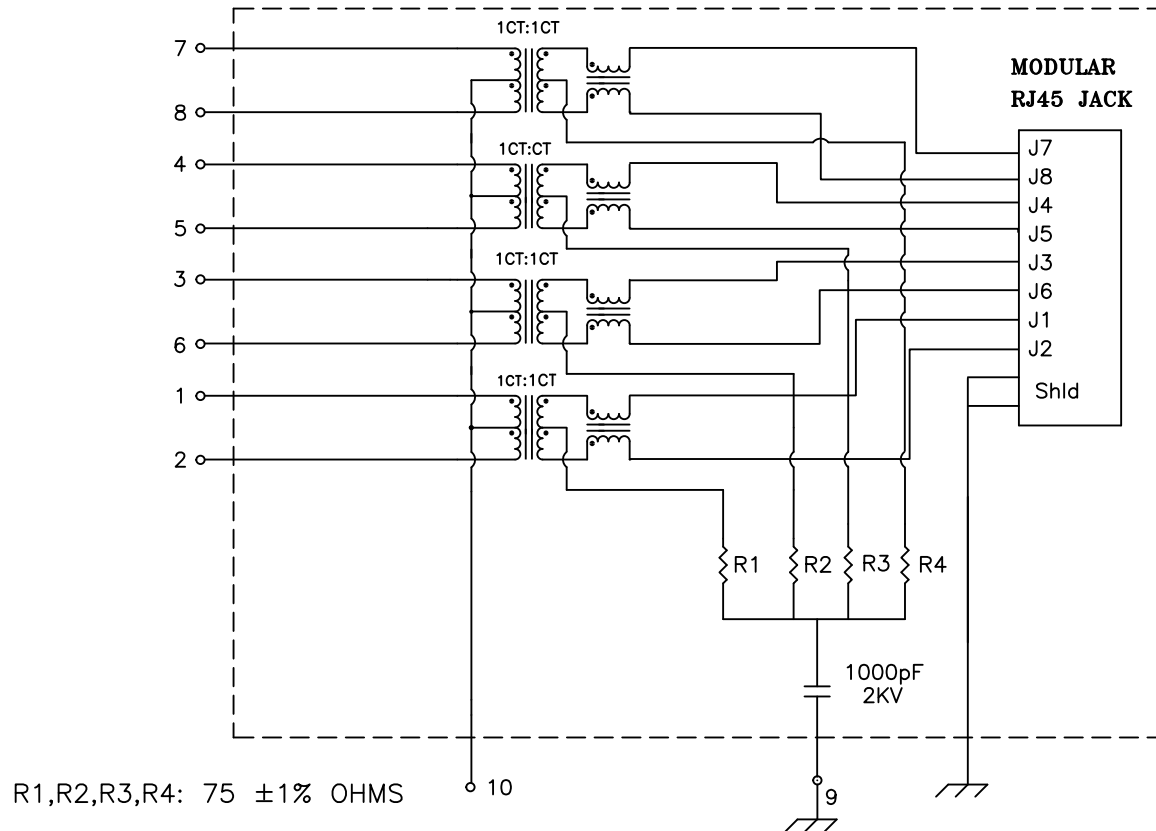


Schematic: (SINGLE PORT)



Electrical Specifications: @25°C

ISOLATION: 1500 Vrms
 TURNS RATIO: (PRI/SEC) 1CT:1CT ±2%
 OCL: 350uH MIN @100KHz 100mV 8mADC
 Rise Time: 1.75ns Max.
 INSERTION LOSS: -1.0dB MAX @1MHz-100MHz
 -1.5dB MAX @100-125MHz
 RETURN LOSS: -18dB Min @1-30MHz
 -15dB Min @40MHz -13.1dB Min @50MHz
 -12dB Min @60-80MHz -10dB Min @100MHz
 Differential to Common Mode Rejection:
 -43dB Min @30MHz -37dB Min @80MHz
 -33dB Min @100MHz
 CMRR: -30dB Min @1-100MHz
 Crosstalk: -45dB Min @30MHz
 -40dB Min @60MHz -35dB Min @100MHz

Notes:

- Solderability: Leads shall meet MIL-STD-202G, Method 208H for solderability.
- Flammability: UL94V-0
- ASTM oxygen index: > 28%
- UL Recognized Component: File Number E165866
- Operating Temperature Range: -40°C to +85°C
- Storage Temperature Range: -55°C to +125°C
- Aqueous wash compatible
- Electrical and mechanical specifications 100% tested
- RoHS Compliant Component

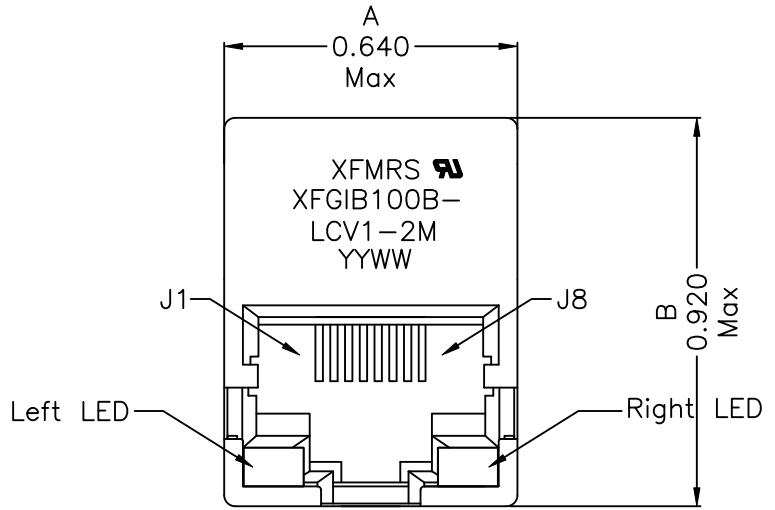
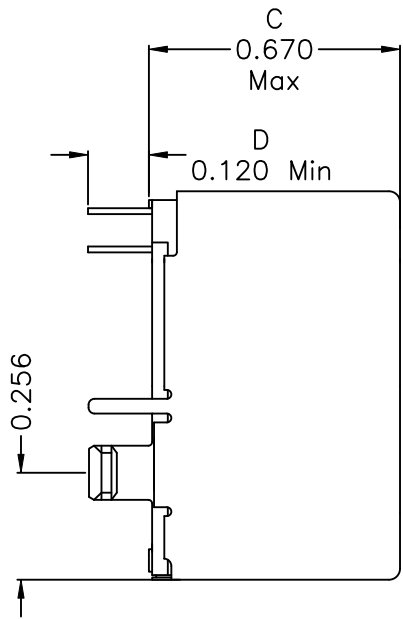
DOC REV.: A/2

PROPRIETARY:

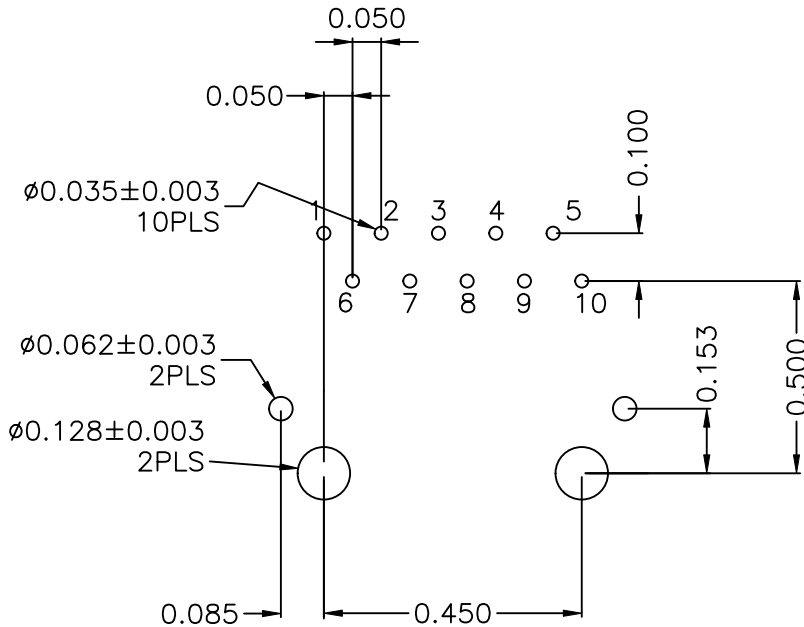
Document is the property of XFMRs Group & is not allowed to be duplicated without authorization.

XFMRs Inc. www.XFMRs.com	Title: SINGLE PORT LED COMBO		
	UNLESS OTHERWISE SPECIFIED TOLERANCES: .xxx ±0.010	P/N: XFGIB100B-LCV1-2M	REV. A
Dimensions in Inch	DWN.	Juan Mao	Sep-02-20
SHEET 1 OF 2	CHK.	YK Liao	Sep-02-20
	APP.	Joe Huff	Sep-02-20

Mechanical Dimensions:



Mounting Pattern:



P.C.B RECOMMENDED HOLE LAYOUT

DOC REV: A/2

PROPRIETARY

Document is the property of XFMRS Group & is not allowed to be duplicated without authorization.

XFMRS Inc. www.XFMRS.com		Title: Mechanical Dimensions For LCV1-2M Series	
UNLESS OTHERWISE SPECIFIED TOLERANCES: .xxx ±0.010 Dimensions in Inch		P/N: XFGIB100B-LCV1-2M	REV. A
DWN.		Juan Mao	Sep-02-20
CHK.		YK liao	Sep-02-20
SHEET 2 OF 2		APP. Joe Huff	Sep-02-20