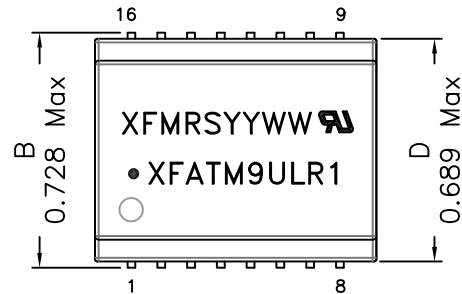
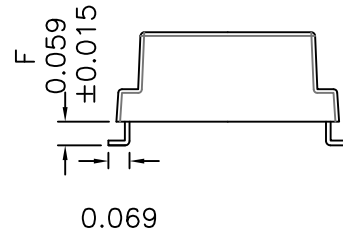
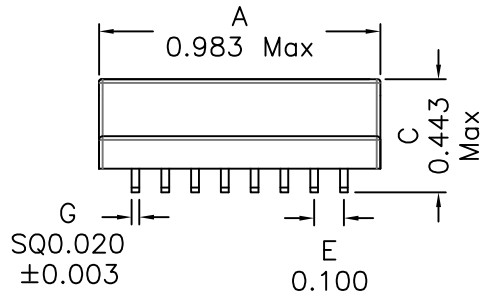
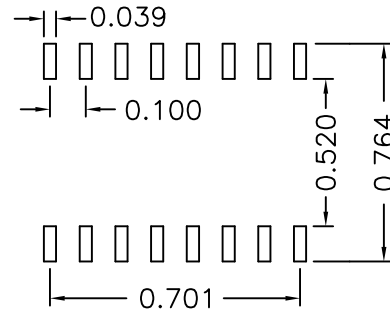


## 1. Mechanical Dimensions:



Top view

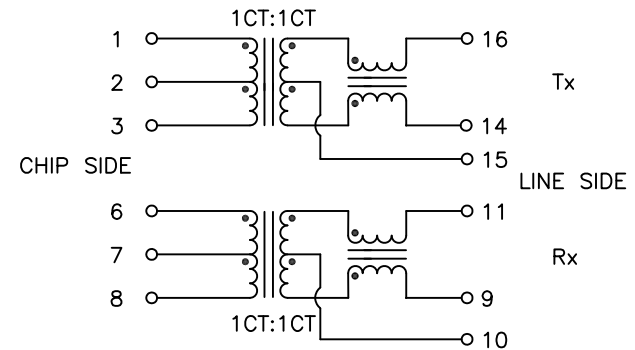


SUGGESTED PCB LAYOUT

### Notes:

1. Solderability: Leads shall meet MIL-STD-202G, Method 208H for solderability.
2. Flammability: UL94V-0
3. ASTM oxygen index: > 28%
4. Insulation System: Class F 155°C. UL file E151556
5. Operating Temperature: -40°C to +85°C
6. Storage Temperature Range: -55°C to +125°C
7. Aqueous wash compatible
8. SMD Lead Coplanarity: 0.004"(0.102mm) Max
9. Electrical and mechanical specifications 100% tested
10. RoHS Compliant Component
11. UL R/C, File #E165866, Category NWGQ2.
12. Designed to meet IEEE802.3af and IEEE802.3at.
13. Recommended IR Reflow peak temp of 245°C Max.

## 2. Schematic:



## 3. Electrical Specifications: @25°C

UTP Impedance: 100 OHMS

Turns Ratio: TX: 1CT:1CT (±2%) RX: 1CT:1CT (±2%)

Isolation Voltage: 6000 Vrms (CHIP to LINE)

UTP Side OCL: 350uH Minimum @100KHz, 100mV 30mADC

UTP Side Q: 18 Minimum @100KHz, 100mV

Rise Time (10-90%): 2.0ns Typical

Insertion Loss (1MHz): 1.0dB Maximum

(100MHz): 3dB Typ

Return Loss (5MHz): -15dB Typical

(100MHz): -3dB Typical

CMRR (1-100MHz): -40dB Typical

Crosstalk Attenuation(1-100MHz): -30dB Minimum

Sec CTs Rated current: 720mA

Sec CTs Rated voltage: 57Vdc (1000mA Max, 200mS)

<b>XFMRs Inc.</b> <a href="http://www.XFMRs.com">www.XFMRs.com</a>	Title: SMD TRANSFORMER FOR 10/100Mb LAN		
	UNLESS OTHERWISE SPECIFIED TOLERANCES: .xxx ±0.010 Dimensions in IN.	P/N: XFATM9ULR1	REV. B
SHEET 1 OF 1	DWN.	Huo	Oct-09-17
	CHK.	YK Liao	Oct-09-17
	APP.	Joe Huff	Oct-09-17

DOC. REV: B/2

PROPRIETARY

Document is the property of XFMRs Group & is not allowed to be duplicated without authorization.