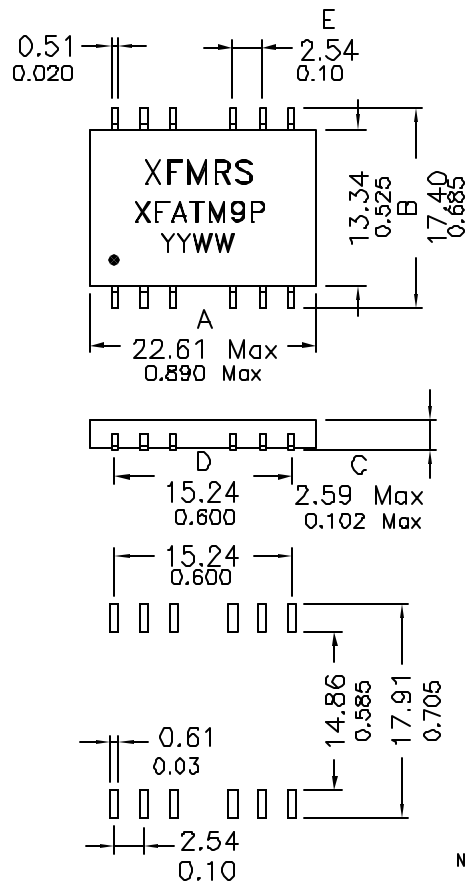


### 1. Dimensions:

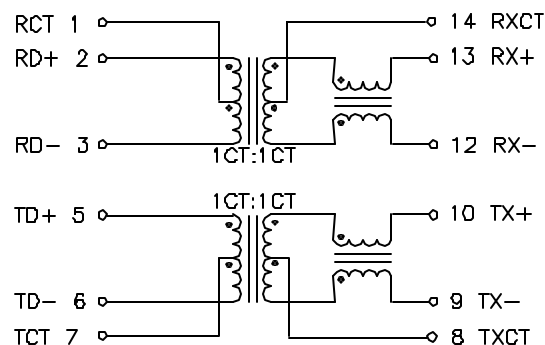


SUGGESTED FOOTPRINT

**Notes:**

- Solderability: Leads shall meet MIL-STD-202G, Method 208H for solderability.
- Flammability: UL94V-0
- ASTM oxygen Index: > 28%
- Insulation System: Class F 155°C. UL file E151556
- Operating Temperature Range: All listed parameters are to be within tolerance from -40°C to +85°C
- Storage Temperature Range: -55°C to +125°C
- Aqueous wash compatible
- SMD Lead Coplanarity: ±0.004" (0.102mm)
- Electrical and mechanical specifications 100% tested
- RoHS Compliant Component

### 2. Schematic:



### 3. Electrical Specifications: @25°C

- HIPOT: 1500VAC
- OCL: P2-3,P5-6 350uH Min. @100KHz 0.1V 8mADC
- Turns Ratio (2-1-3):(13-14-12) = 1CT:1CT±3%
- Turns Ratio (5-7-6):(10-8-9) = 1CT:1CT±3%
- Insertion Loss: 300KHz-100MHz 0.9dB TYP
- Insertion loss: 100-125MHz 1.5dB Max
- Return Loss: 300KHz-100MHz 12dB Typ.
- Rise Time (10-90%): 4.0ns Typ (For Reference Only)
- Differential to Common Mode Rejection: (For reference Only)
  - 40dB Min @ 30MHz
  - 35dB Min @ 50MHz
  - 30dB Min @ 100MHz
  - 20dB Min @ 150MHz
- Crosstalk: (For reference Only) -40dB Min @1 to 100MHz

DOC. REV: B/1

**PROPRIETARY**

Document is the property of XFMRS Group & is not allowed to be duplicated without authorization.

|  |              |  |           |
|--|--------------|--|-----------|
| <b>XFMRS Inc</b><br>www.XFMRS.com  |              | Title:<br>10/100BASE-TX Filter Modules |           |
| UNLESS OTHERWISE SPECIFIED<br>TOLERANCES:<br>.xxx ±0.010 Inch<br>Dimensions in Inch/mm | P/N: XFATM9P |  | REV. B    |
|  | DWN.         | Juan Mao                               | Oct-24-06 |
|  | CHK.         | YK Liao                                | Oct-24-06 |
| SCALE 2:1 SHT 1 OF 1   | APP.         | BW                                     | Oct-24-06 |