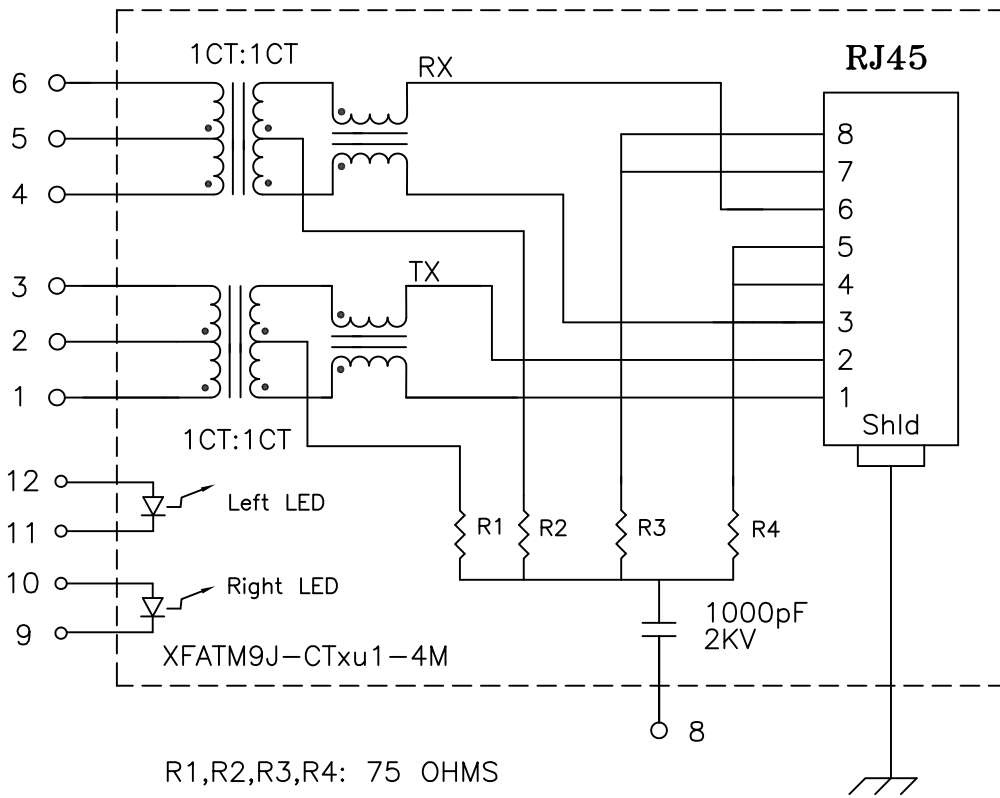


# Schematic:



R1,R2,R3,R4: 75 OHMS

## Electrical Specifications: @25°C

Isolation Voltage: 1500 Vrms (Input to Output)

Isolation Voltage: 500 Vrms (P1+2+3 to P4+5+6)

Turns Ratio: TX 1CT:1CT ±3% RX 1CT:1CT ±3%

CABLE SIDE OCL: 350uH Minimum @100KHz 100mV 8mADC

Cw/w: 27pF Typical @100KHz 100mV

Insertion Loss (300KHz-100MHz): -1.0dB Maximum

Return Loss: @30MHz -18dB Minimum

@80MHz -12dB Minimum

CMRR: -30dB Typ @1-100MHz

Crosstalk: -45dB Typ @30MHz

-40dB Typ @60MHz

-35dB Typ @100MHz

Q: 5 Min @100KHz 0.1V

Complete the Combo P/N as follows:

Replace 'x' & 'u' in the part number with one of the LED color letters:

Y=Yellow

G=Green

A=Amber

R=Red

C=Green(1)/Amber(2) Bicolor

D=Amber(1)/Green(2) Bicolor

M=Green(1)/Yellow(2) Bicolor

N=Yellow(1)/Green(2) Bicolor

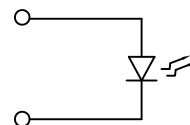
P=Red(1)/Green(2) Bicolor

Q=Green(1)/Red(2) Bicolor

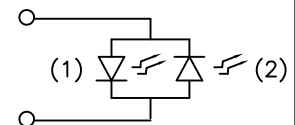
'x' = Left LED Color

'u' = Right LED Color

Single Color LED:



Bi-Color LED:



### Notes:

1. Solderability: Leads shall meet MIL-STD-202G, Method 208H for solderability.
2. Flammability: UL94V-0
3. ASTM oxygen index: > 28%
4. UL Recognized Component: File Number E165866
5. Operating Temperature Range: All listed parameters are to be within tolerance from -40°C to +85°C
6. Storage Temperature Range: -55°C to +125°C
7. Aqueous wash compatible
8. Electrical and mechanical specifications 100% tested
9. RoHS Compliant Component

DOC. REV: A/11

**PROPRIETARY:**

Document is the property of XFMRs Group & is not allowed to be duplicated without authorization.

**XFMRs Inc.**

www.XFMRs.com

Title: **SINGLE PORT TAB UP  
10/100 BAST-T COMBO**

UNLESS OTHERWISE SPECIFIED

P/N: XFATM9J-CTxu1-4M

REV. A

TOLERANCES:

.xxx ±0.010

DWN.

Yuan

Nov-14-13

Dimensions in Inch

CHK.

YK liao

Nov-14-13

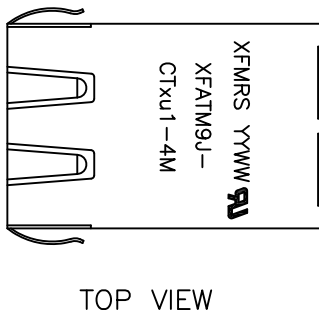
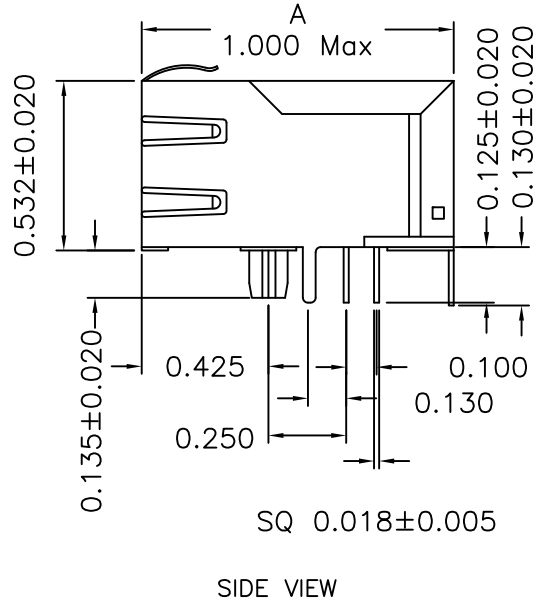
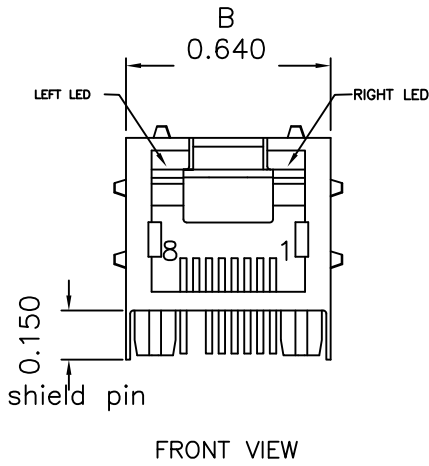
SHEET 1 OF 2

APP.

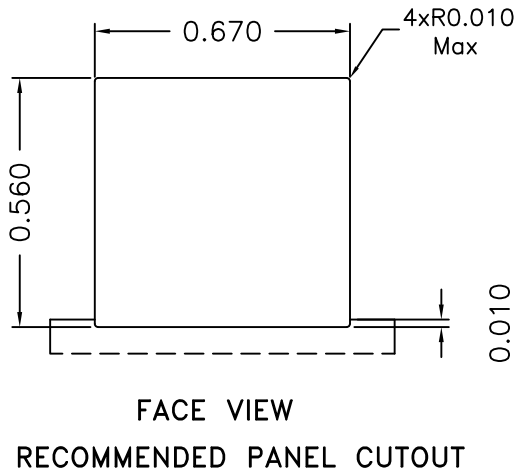
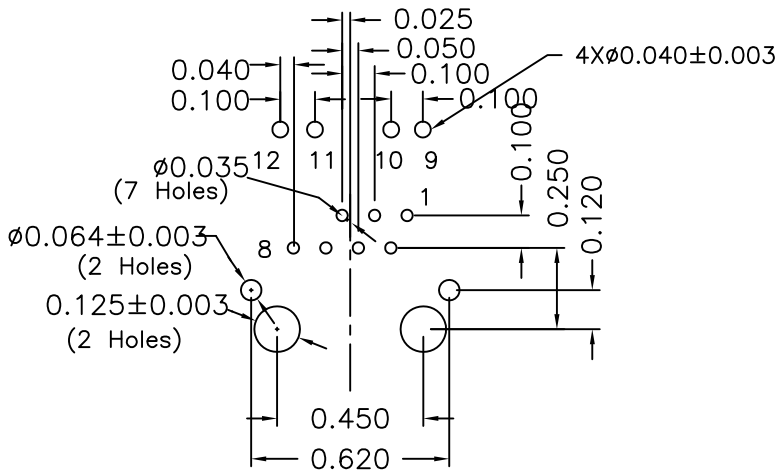
BSJ

Nov-14-13

**Mechanical Dimensions:**



**Mounting Pattern:**



\*\*\*Removed Pin#7

DOC. REV A/11

<b>XFMRS Inc.</b> www.XFMRS.com	Title: <b>Mechanical Dimensions</b> For TAB UB RJ45 COMBO		
	UNLESS OTHERWISE SPECIFIED TOLERANCES: .xxx ±0.010 Dimensions in Inch	P/N: XFATM9J-CTxu1-4M	REV. A
			CHK. YK Liao Nov-14-13
			APP. BSJ Nov-14-13
SHEET 2 OF 2			

**PROPRIETARY:**

Document is the property of XFMRS Group & is not allowed to be duplicated without authorization.