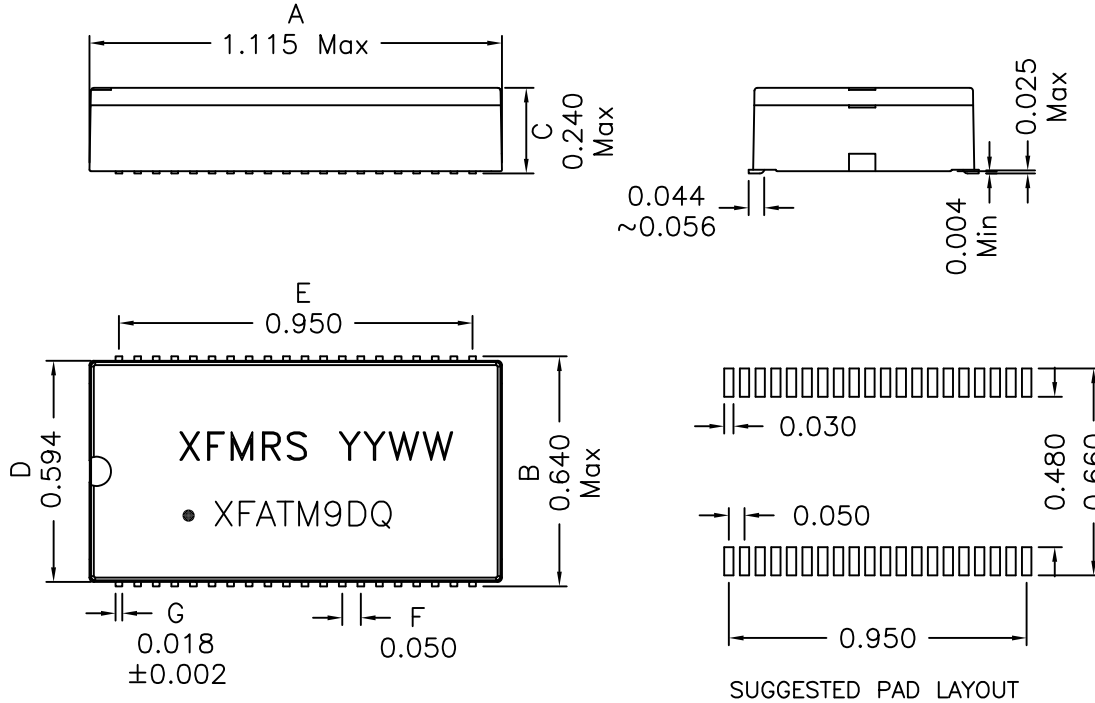
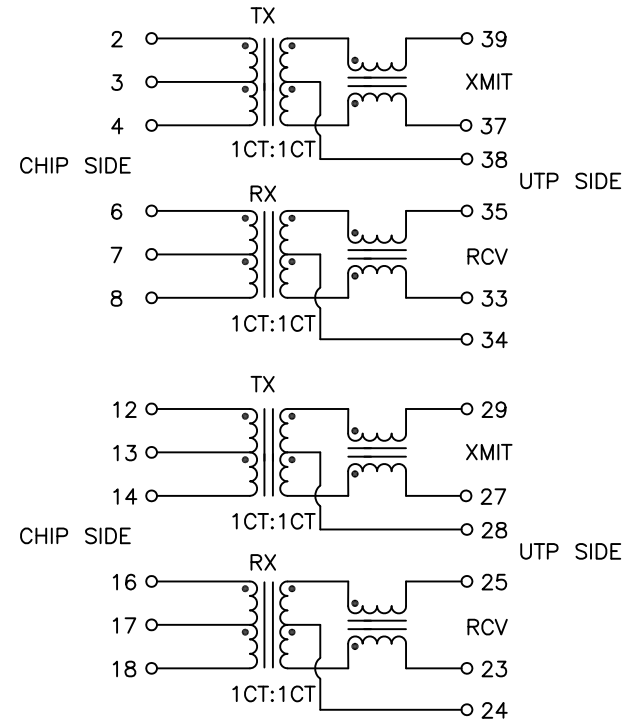


### 1. Mechanical Dimensions:



### 2. Schematic:



### 3. Electrical Specifications: @25°C

Turns Ratio: TX : 1CT:1CT (±2%)    RX : 1CT:1CT (±2%)  
 Isolation Voltage: 1500 Vrms (Input to Output)  
 UTP Side OCL: 350uH Minimum @100KHz,100mV 8mADC  
 Rise Time (10-90%): 2.0ns Typical  
 Insertion Loss (0.1M-100MHz): -1.0dB Maximum  
 Return Loss(2-30MHz): -16dB Min  
 Return Loss(40MHz): -14.4dB Min  
 Return Loss(50MHz): -13dB Min  
 Return Loss(60-80MHz): -12dB Min  
 Crosstalk Attenuation(1MHz): -50dB Typ  
 Crosstalk Attenuation(30MHz): -45dB Typ  
 Crosstalk Attenuation(60MHz): -40dB Typ  
 Crosstalk Attenuation(100MHz): -35dB Typ  
 CMRR (1-60MHz): -37dB Typical  
 CMRR (60-200MHz): -33dB Typical  
 UTP Side Q: 5 Min @10KHz,50mV

#### Notes:

- Solderability: Leads shall meet MIL-STD-202G, Method 208H for solderability.
- Flammability: UL94V-0
- ASTM oxygen index: > 28%
- Insulation System: Class F 155°C. UL file E151556
- Operating Temperature Range: All listed parameters are to be within tolerance from -40°C to +85°C
- Storage Temperature Range: -55°C to +125°C
- Aqueous wash compatible
- SMD Lead Coplanarity: ±0.004"(0.102mm)
- Electrical and mechanical specifications 100% tested
- RoHS Compliant Component
- Recommended IR Reflow peak temp of 250C Max.

<b>XFMRS INC</b>		Title: 10/100 BASE MAGNETIC MODULE	
UNLESS OTHERWISE SPECIFIED TOLERANCES: .xxx ±0.010	P/N: XFATM9DQ		REV. B
	DWN.	Yuan	Mar-14-14
Dimensions in Inch	CHK.	YK Liao	Mar-14-14
SHEET 1 OF 1	APP.	DDC	Mar-14-14

DOC. REV: B/-

**PROPRIETARY**

Document is the property of XFMRS Group & is not allowed to be duplicated without authorization.