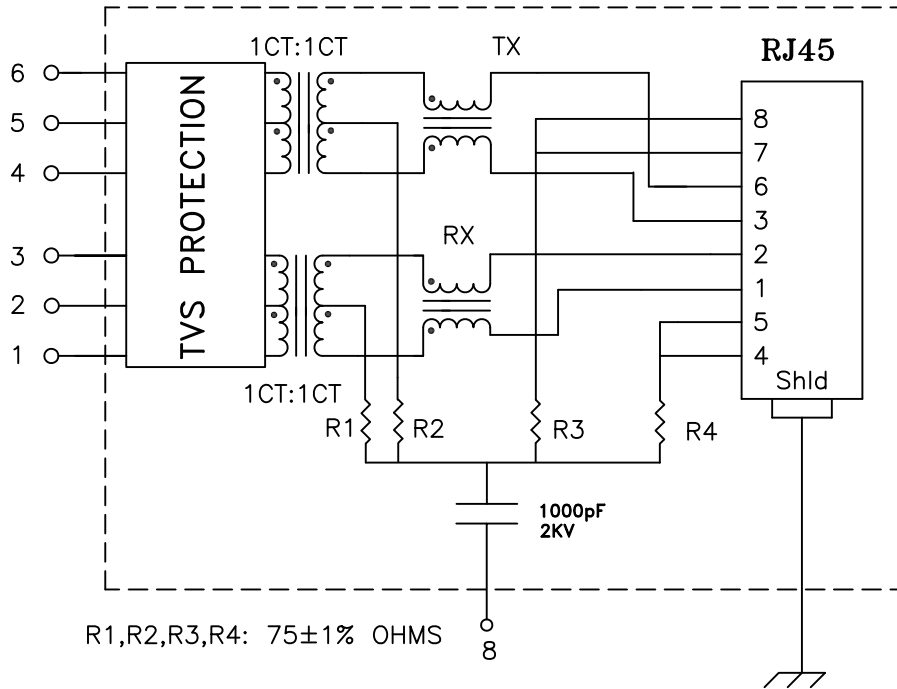


Schematic:



Electrical Specifications: @25°C

Isolation Voltage: 1500 Vrms (Input to Output)

Turns Ratio: TX 1CT:1CT ±3% RX 1CT:1CT ±3%

CABLE SIDE OCL: 350uH Minimum @100KHz 100mV 8mADC

Q: 5 Min @100KHz 100mV

Cw/w: 27pF Typical @100KHz 100mV

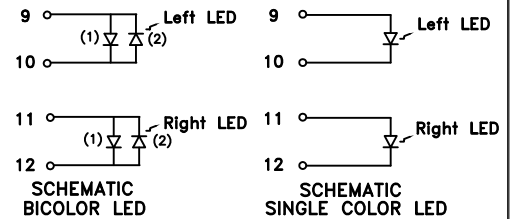
Insertion Loss (300KHz-100MHz): -1.00dB Max

Return Loss: @30MHz -18dB Min

@80MHz -12dB Min

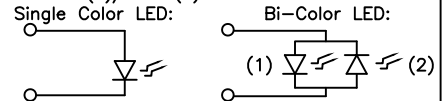
Notes:

- Solderability: Leads shall meet MIL-STD-202G, Method 208H for solderability.
- Flammability: UL94V-0
- ASTM oxygen index: > 28%
- Insulation System: Class F 155°C. UL file E151556
- Operating Temperature Range: All listed parameters are to be within tolerance from -40°C to +85°C
- Storage Temperature Range: -55°C to +125°C
- Aqueous wash compatible
- Electrical and mechanical specifications 100% tested
- RoHS Compliant Component
- Designed to meet GR1089 Intra-Building Lightning Standard



Complete the Combo P/N as follows:

Replace 'x' & 'u' in the part number with one of the LED color letters:
 Y=Yellow 'x' = Left LED Color
 G=Green 'u' = Right LED Color
 A=Amber
 R=Red
 C=Green(1)/Amber(2) Bicolor
 D=Amber(1)/Green(2) Bicolor
 M=Green(1)/Yellow(2) Bicolor
 N=Yellow(1)/Green(2) Bicolor
 P=Red(1)/Green(2) Bicolor
 Q=Green(1)/Red(2) Bicolor
 E=Red(1)/Yellow(2) Bicolor
 F=Yellow(1)/Red(2) Bicolor
 H=Amber(1)/Yellow(2) Bicolor



XFMRs Inc.

Title:

SINGLE PORT 10/100 W/LED COMBO

DOC REV: A/2

UNLESS OTHERWISE SPECIFIED

P/N: XFATM9DN-CLxu1-4MS

REV. A

TOLERANCES:

DWN.

Huo

Oct-13-17

.xxx ±0.010

CHK.

YK Liao

Oct-13-17

Dimensions in Inch

APP.

DDC

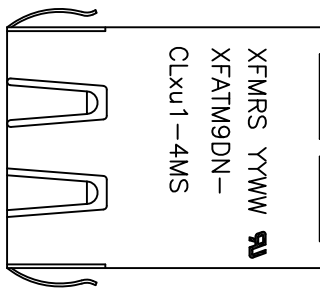
Oct-13-17

SHEET 1 OF 2

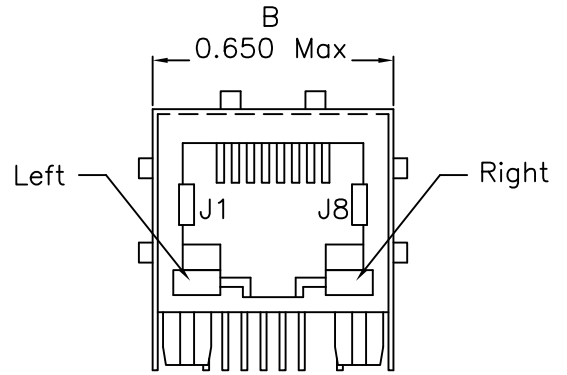
PROPRIETARY

Document is the property of XFMRs Group & is not allowed to be duplicated without authorization.

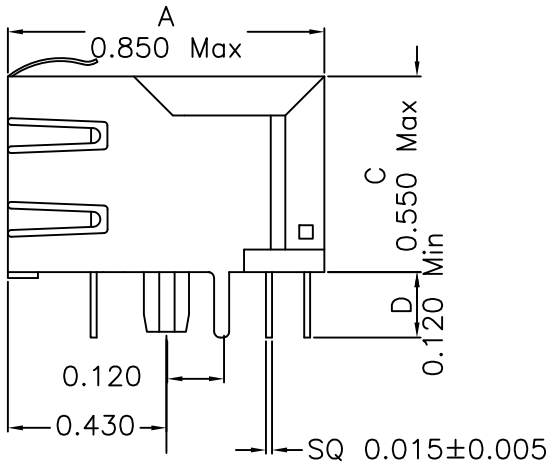
Mechanical Dimensions:



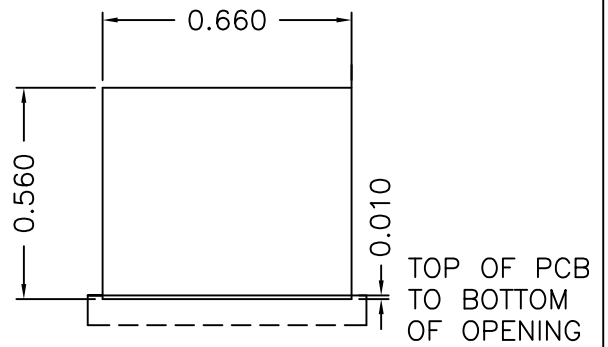
(TOP VIEW)



(FRONT VIEW)

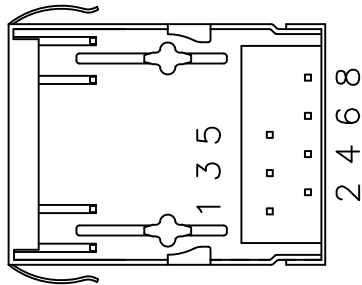


(SIDE VIEW)



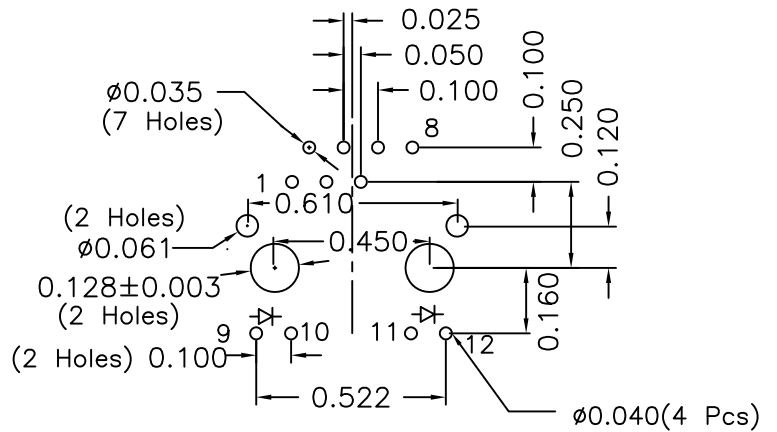
SUGGESTED PANEL CUTOUT DIMENSIONS

***Remove Pin#7



(BOTTOM VIEW)

Mounting Pattern:



DOC REV: A/2

PROPRIETARY:

Document is the property of XFMRS Group & is not allowed to be duplicated without authorization.

XFMRS Inc. www.XFMRS.com	Title: Mechanical Dimensions For CLxu1-4MS Series		
	UNLESS OTHERWISE SPECIFIED TOLERANCES: .xxx ±0.010 Dimensions in Inch	P/N: XFATM9DN-CLxu1-4MS	REV. A
SHEET 2 OF 2	APP. DDC	Oct-13-17	Oct-13-17