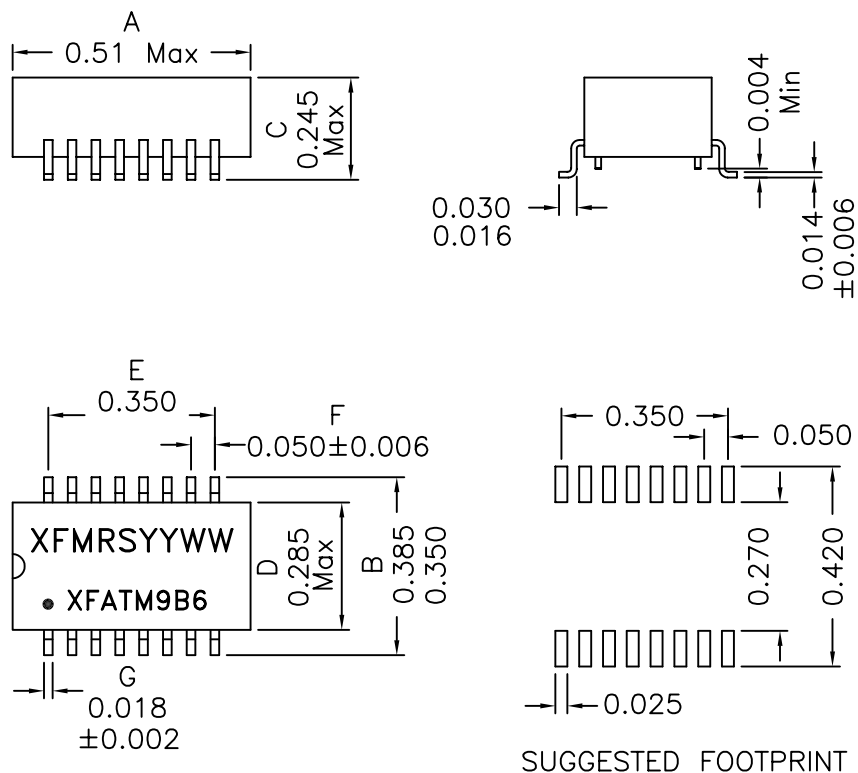


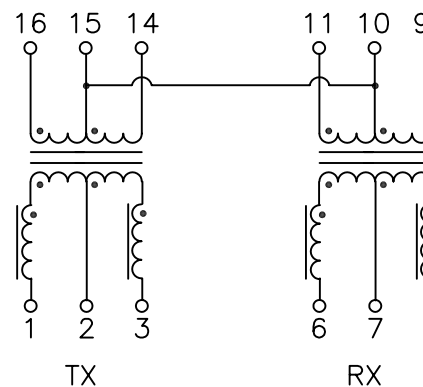
## 1. Mechanical Dimensions:



### Notes:

1. Solderability: Leads shall meet MIL-STD-202G, Method 208H for solderability.
2. Flammability: UL94V-0
3. ASTM oxygen index: > 28%
4. Insulation System: Class F 155°C. UL file E151556
5. Operating Temperature Range: All listed parameters are to be within tolerance from -40°C to +85°C
6. Storage Temperature Range: -55°C to +125°C
7. Aqueous wash compatible
8. SMD Lead Coplanarity: ±0.004"(0.102mm)
9. Electrical and mechanical specifications 100% tested
10. RoHS Compliant Component

## 2. Schematic:



## 3. Electrical Specifications: @25°C

UTP Impedance: 100 OHMS

Turns Ratio: TX : 1CT:1CT ±2% RX : 1CT:1CT ±2%

Isolation Voltage: 1500 VAC (Input to Output)

UTP Side OCL: 350uH Minimum @100KHz,100mV 8mADC

Rise Time (10-90%): 4.0ns Typical

Insertion Loss (1-100MHz): -1.0dB Maximum

Return Loss : 30MHz 60MHz 80MHz

-20dB -14dB -11.5dB (Typical)

CMRR (1MHz-100MHz): -40dB TYPICAL

Crosstalk Attenuation: -40dB Minimum

DOC REV: A/2

<b>XFMRS INC</b> www.XFMRS.com		Title: 10/100 BASE MAGNETIC MODULE	
UNLESS OTHERWISE SPECIFIED		P/N: XFATM9B6	REV. A
TOLERANCES: .xxx ±0.010		DWN.	Juan Mao Aug-31-09
Dimensions in Inch		CHK.	YK Liao Aug-31-09
SHEET 1 OF 1		APP.	BW Aug-31-09

**PROPRIETARY**

Document is the property of XFMRS Group & is not allowed to be duplicated without authorization.