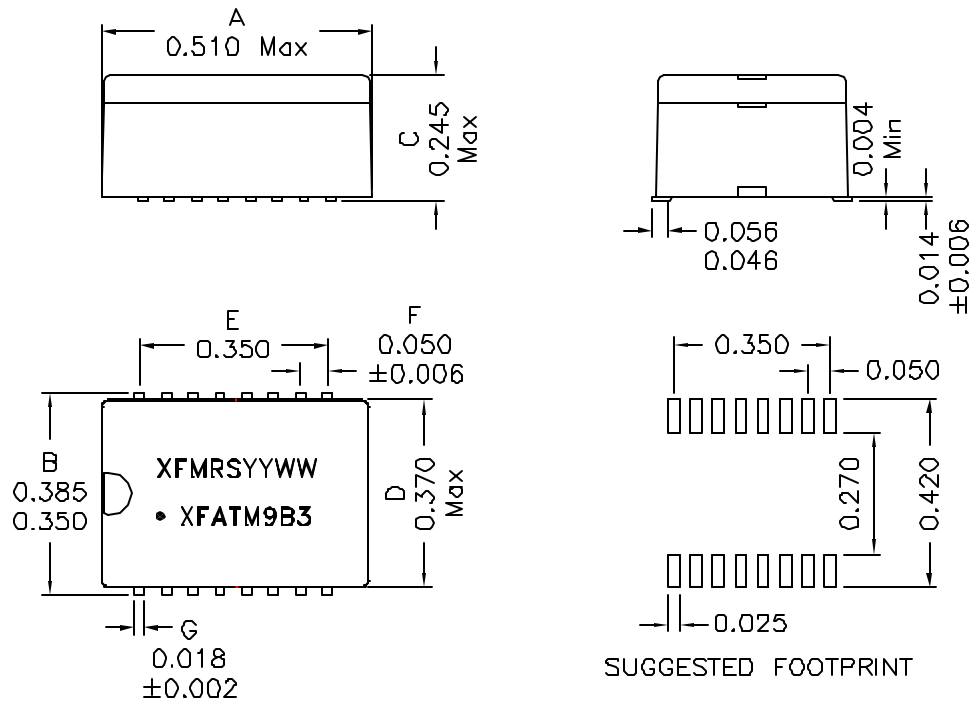


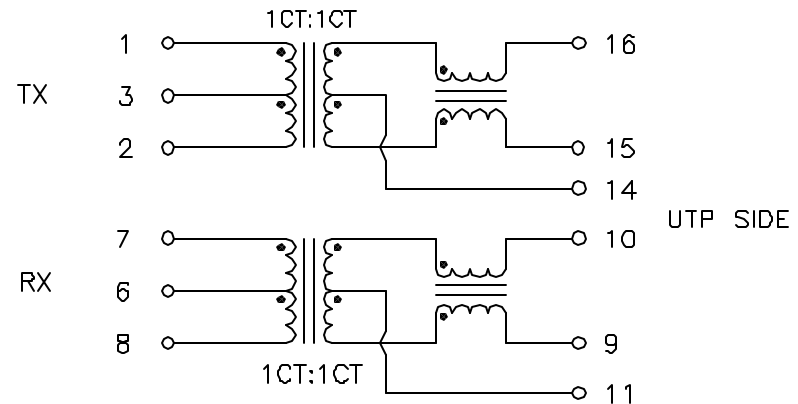
1. Mechanical Dimensions:



Notes:

1. Solderability: Leads shall meet MIL-STD-202G, Method 208H for solderability.
2. Flammability: UL94V-0
3. ASTM oxygen Index: > 28%
4. Insulation System: Glass F 155°C, UL file E15155B
5. Operating Temperature Range: All listed parameters are to be within tolerance from -40°C to +85°C
6. Storage Temperature Range: -55°C to +125°C
7. Aqueous wash compatible
8. SMD Lead Coplanarity: $\pm 0.004''$ (0.102mm)
9. Electrical and mechanical specifications 100% tested
10. RoHS Compliant Component

2. Schematic:



3. Electrical Specifications: @25°C

UTP Impedance: 100 OHMS

Turns Ratio: TX : 1CT:1 $\pm 2\%$ RX : 1CT:1CT $\pm 2\%$

Isolation Voltage: 1500 VAC (Input to Output)

UTP Side OCL: 350uH Minimum @100KHz, 100mV 8mADC

Rise Time (10-90%): 4.0ns Typical

Insertion Loss (1-100MHz): -1.0dB Maximum

Return Loss : 30MHz 60MHz 80MHz

-20dB -14dB -11.5dB (Typical)

CMRR (1MHz-100MHz): -40dB TYPICAL

Crosstalk Attenuation: -40dB Minimum

UTP Side Q: 5 Min @10KHz, 50mV

DOC. REV. B/2

PROPRIETARY Document is the property of XFMRs Group & is not allowed to be duplicated without authorization.

XFMRs Inc. www.XFMRs.com		Title: 10/100BASE-TX MAGNETICS	
UNLESS OTHERWISE SPECIFIED TOLERANCES: .xxx ± 0.010 Dimensions in Inch	P/N: XFATM9B3		REV. B
	DWN.	Mei Chen	Mar-27-12
	CHK.	YK Liao	Mar-27-12
SHEET 1 OF 1	APP.	BW	Mar-27-12