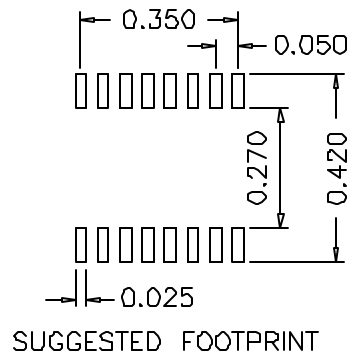
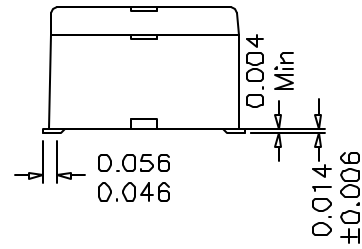
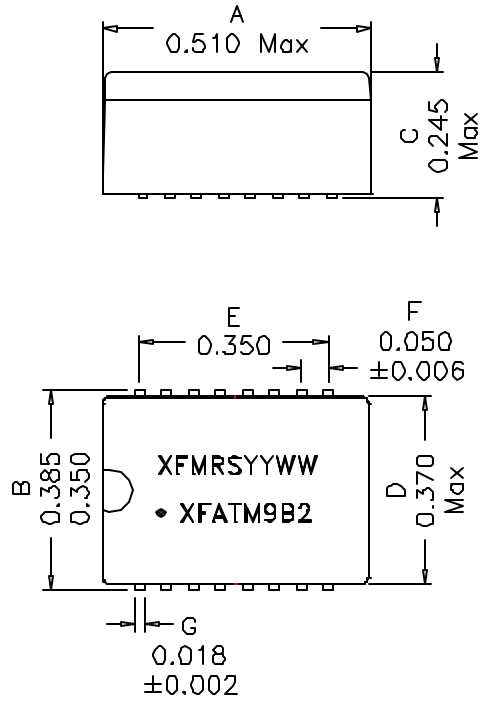


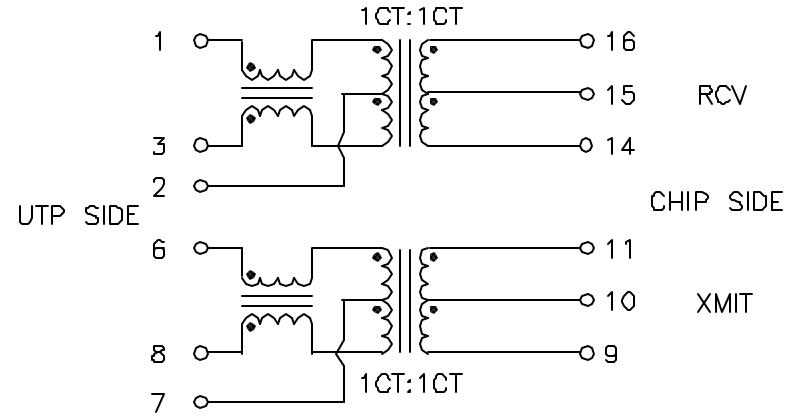
### 1. Mechanical Dimensions:



**Notes:**

1. Solderability: Leads shall meet MIL-STD-202C, Method 208H for solderability.
2. Flammability: UL94V-0
3. ASTM oxygen index: > 28%
4. Insulation System: Class F 155°C. UL file E151556
5. Operating Temperature Range: All listed parameters are to be within tolerance from -40°C to +85°C
6. Storage Temperature Range: -55°C to +125°C
7. Aqueous wash compatible
8. SMD Lead Coplanarity: ±0.004"(0.102mm)
9. Electrical and mechanical specifications 100% tested
10. RoHS Compliant Component

### 2. Schematic:



### 3. Electrical Specifications: @25°C

UTP Impedance: 100 OHMS  
 Turns Ratio: TX : 1CT:1CT ±2% RX : 1CT:1CT ±2%  
 Isolation Voltage: 1500 VAC (Input to Output)  
 UTP Side OCL: 350uH Minimum @100KHz, 100mV 8mADC  
 CHIP Side Q: 15 Minimum @10KHz, 50mV  
 Rise Time (10-90%): 4.0ns Typical  
 Insertion Loss (1-100MHz): -1.0dB Maximum  
 Return Loss : 30MHz 60MHz 80MHz  
                   -20dB -14dB -11.5dB (Typical)  
 CMRR (1MHz-100MHz): -40dB TYPICAL  
 Crosstalk Attenuation: -40dB Minimum  
 Q: 5 Min @10KHz 50mV

DOC. REV: B/2

<b>XFMRs Inc.</b> www.XFMRs.com		Title: 10/100 BASE MAGNETIC MODULE	
UNLESS OTHERWISE SPECIFIED TOLERANCES: .xxx ±0.010 Dimensions in Inch	P/N: XFATM9B2		REV. B
	DWN.	Mei Chen	Oct-11-11
	CHK.	YK Liao	Oct-11-11
SHT 1 OF 1	APP.	Joe Huff	Oct-11-11