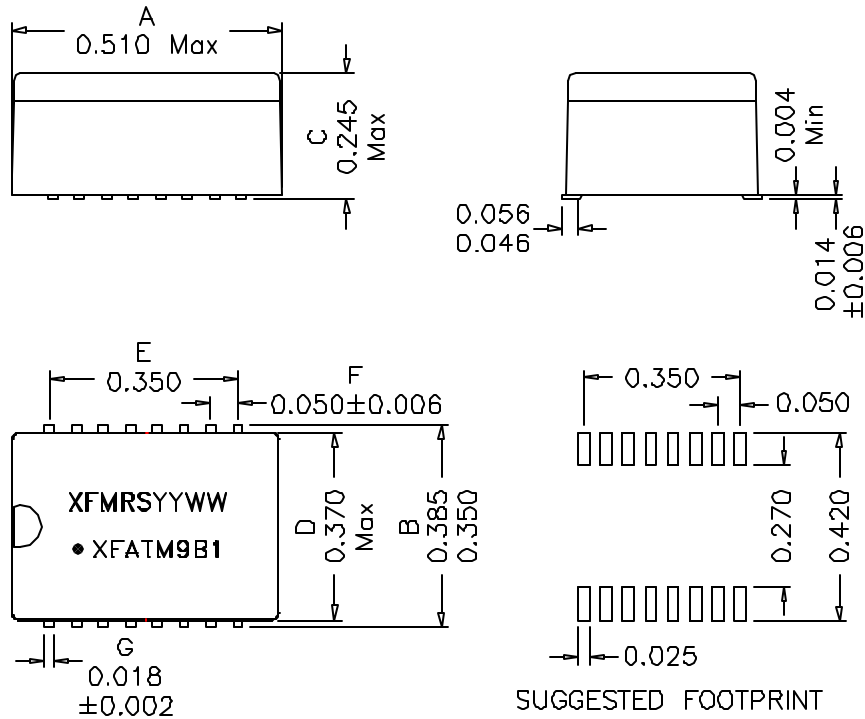


1. Mechanical Dimensions:

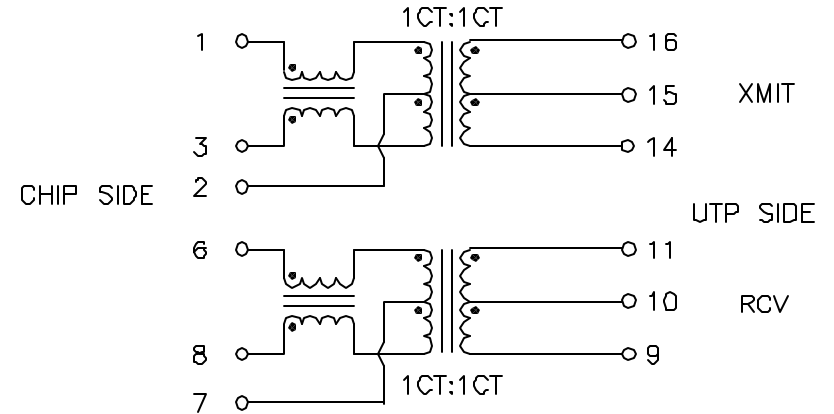


Notes:

1. Solderability: Leads shall meet MIL-STD-202C, Method 208H for solderability.
2. Flammability: UL94V-0
3. ASTM oxygen index: > 28%
4. Insulation System: Class F 155°C. UL file E151556
5. Operating Temperature Range: All listed parameters are to be within tolerance from -40°C to +85°C
6. Storage Temperature Range: -55°C to +125°C
7. Aqueous wash compatible
8. SMD Lead Coplanarity: ±0.004" (0.102mm)
9. Electrical and mechanical specifications 100% tested
10. RoHS Compliant Component

DOC. REV: B/3

2. Schematic:



3. Electrical Specifications: @25°C

UTP Impedance: 100 OHMS

Turns Ratio: TX : 1CT:1CT ±2% RX : 1CT:1CT ±2%

Isolation Voltage: 1500 VAC (Input to Output)

UTP Side OCL: 350uH Minimum @100KHz, 100mV 8mADC

Rise Time (10-90%): 4.0ns Typical

Insertion Loss (1-100MHz): -1.0dB Maximum

Return Loss : 30MHz 60MHz 80MHz
-20dB -14dB -11.5dB (Typical)

CMRR (1MHz-100MHz): -40dB TYPICAL

Crosstalk Attenuation: -40dB Minimum

Q: 5 Min @10KHz, 50mV

XFMR5 Inc. www.XFMRS.com	Title: 10/100 BASE MAGNETIC MODULE		
	UNLESS OTHERWISE SPECIFIED TOLERANCES: .xxx ±0.010	P/N: XFATM9B1	REV. B
Dimensions in Inch	DWN.	Feng	Dec-06-11
SHT 1 OF 1	CHK.	YK Liao	Dec-06-11
	APP.	Joe Huff	Dec-06-11

PROPRIETARY

Document is the property of XFMR5 Group & is not allowed to be duplicated without authorization.