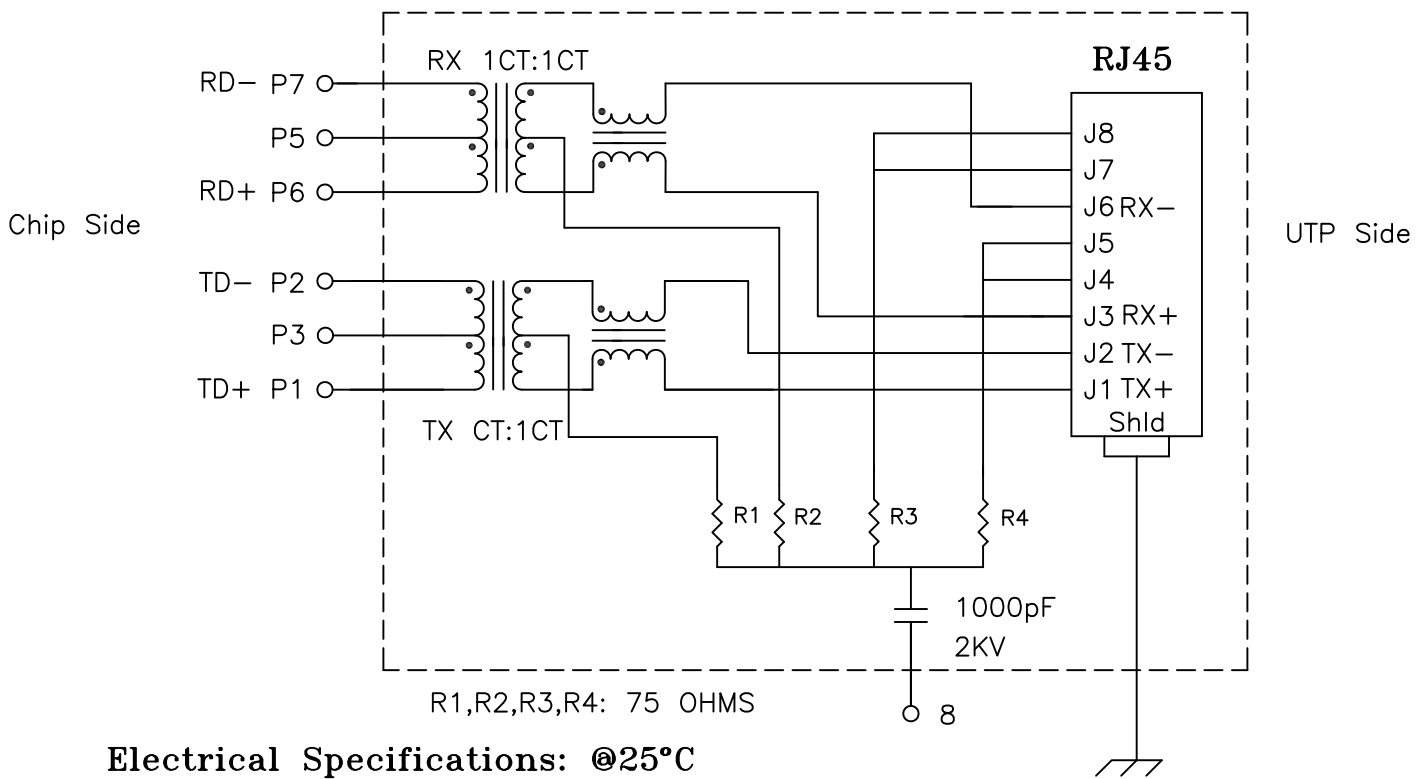


# Schematic:



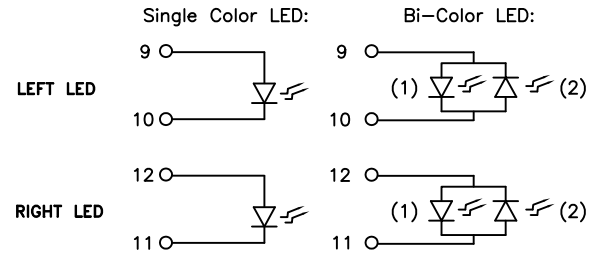
## Electrical Specifications: @25°C

- Isolation Voltage: 1500 Vrms (Input to Output)
- Isolation Voltage: 500 Vrms (P1+2+3 to P5+6+7)
- Turns Ratio: TX 1CT:1CT ±3% RX 1CT:1CT ±3%
- OCL: 350uH Minimum @100KHz 100mV 8mADC
- Q: 5 Minimum @100KHz 100mV
- Insertion Loss (300KHz-100MHz): -1.0dB Max
- Return Loss: @1-10MHz -20dB Min
- @10-30MHz -16dB Min
- @30-60MHz -12dB Min
- @60-80MHz -10dB Min
- CMRR: @1MHz-50MHz -30dB Min
- @50MHz-150MHz -20dB Min
- Cross Talk: @1MHz-30MHz -40dB Typ
- @30MHz-60MHz -35dB Typ
- @60MHz-100MHz -30dB Typ

### Notes:

1. Solderability: Leads shall meet MIL-STD-202G, Method 208H for solderability.
2. Flammability: UL94V-0
3. ASTM oxygen index: > 28%
4. UL Recognized Component: File Number E165866
5. Operating Temperature Range: All listed parameters are to be within tolerance from -40°C to +85°C
6. Storage Temperature Range: -55°C to +125°C
7. Aqueous wash compatible
8. Electrical and mechanical specifications 100% tested
9. RoHS Compliant Component

DOC. REV: A/1



### LED SCHEMATIC

Complete the Combo P/N as follows:

Replace 'x' & 'u' in the part number with one of the LED color letters:

Y=Yellow	'x' = Left LED Color
G=Green	'u' = Right LED Color
A=Amber	
R=Red	

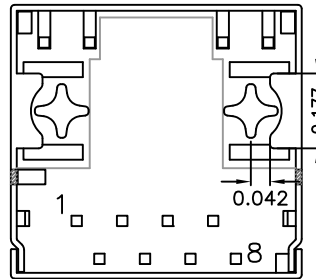
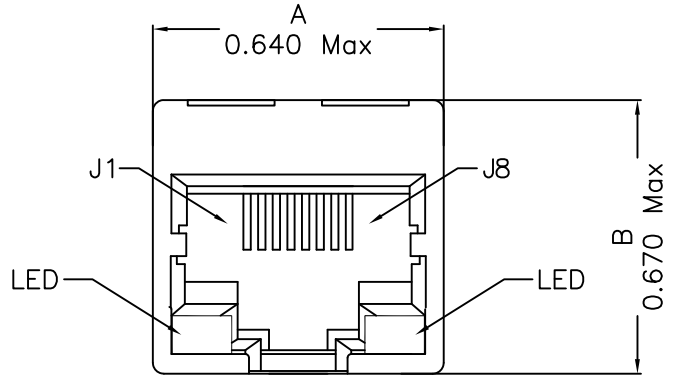
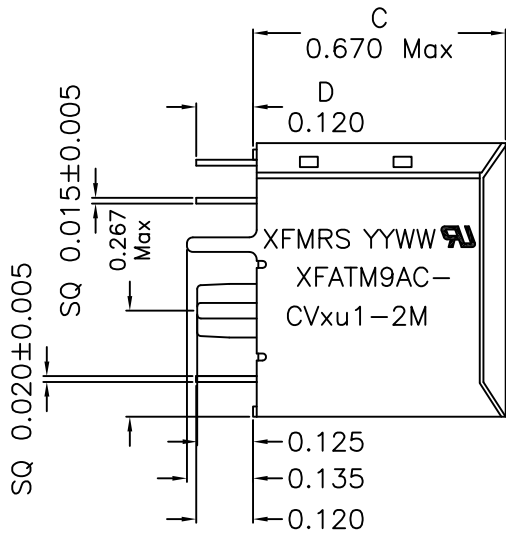
C=Green(1)/Amber(2) Bicolor  
 D=Amber(1)/Green(2) Bicolor  
 M=Green(1)/Yellow(2) Bicolor  
 N=Yellow(1)/Green(2) Bicolor  
 P=Red(1)/Green(2) Bicolor  
 Q=Green(1)/Red(2) Bicolor  
 E=Red(1)/Yellow(2) Bicolor  
 F=Yellow(1)/Red(2) Bicolor  
 H=Amber(1)/Yellow(2) Bicolor  
 J=Green(1)/Green(2) Bicolor

<b>XFMRs Inc.</b> www.XFMRs.com	Title: <b>VERTICAL MOUNT 10/100 W/LED COMBO</b>		
	UNLESS OTHERWISE SPECIFIED TOLERANCES: .xxx ±0.010 Dimensions in Inch		P/N: XFATM9AC-CVxu1-2M
SHEET 1 OF 2	DWN.	Huo	Sep-01-17
	CHK.	YK Liao	Sep-01-17
	APP.	BW	Sep-01-17

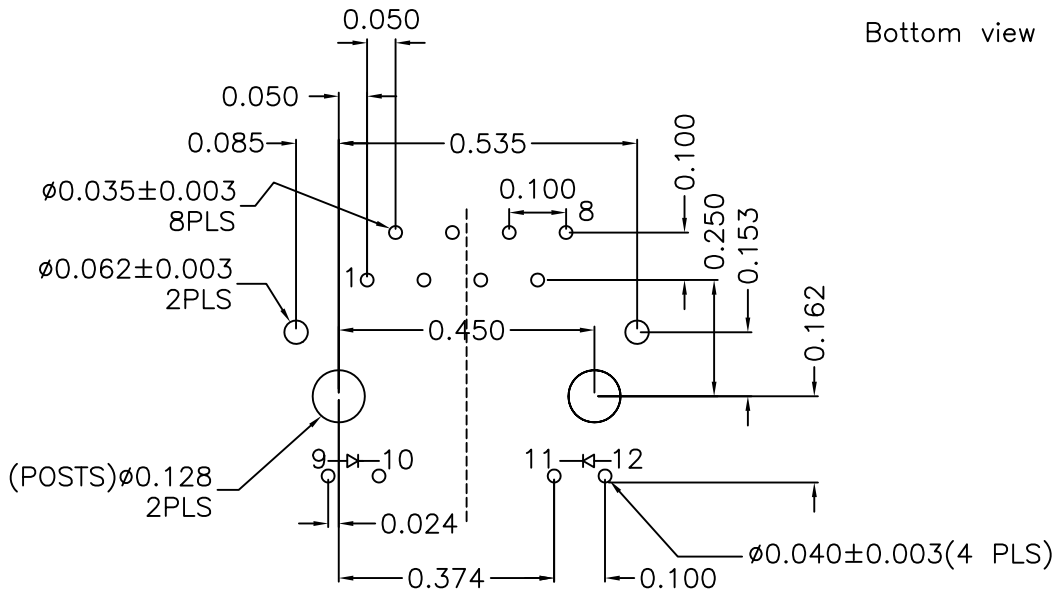
## PROPRIETARY:

Document is the property of XFMRs Group & is not allowed to be duplicated without authorization.

### Mechanical Dimensions:



### Mounting Pattern:



DOC. REV: A/1

<b>XFMRS Inc.</b> <a href="http://www.XFMRS.com">www.XFMRS.com</a>	Title: Mechanical Dimensions For CVxu1-2M Series		
	UNLESS OTHERWISE SPECIFIED TOLERANCES: .xxx ±0.010 Dimensions in Inch	P/N: XFATM9AC-CVxu1-2M	REV. A
SHEET 2 OF 2	DWN.	Huo	Sep-01-17
	CHK.	YK Liao	Sep-01-17
	APP.	BW	Sep-01-17

**PROPRIETARY:**

Document is the property of XFMRS Group & is not allowed to be duplicated without authorization.