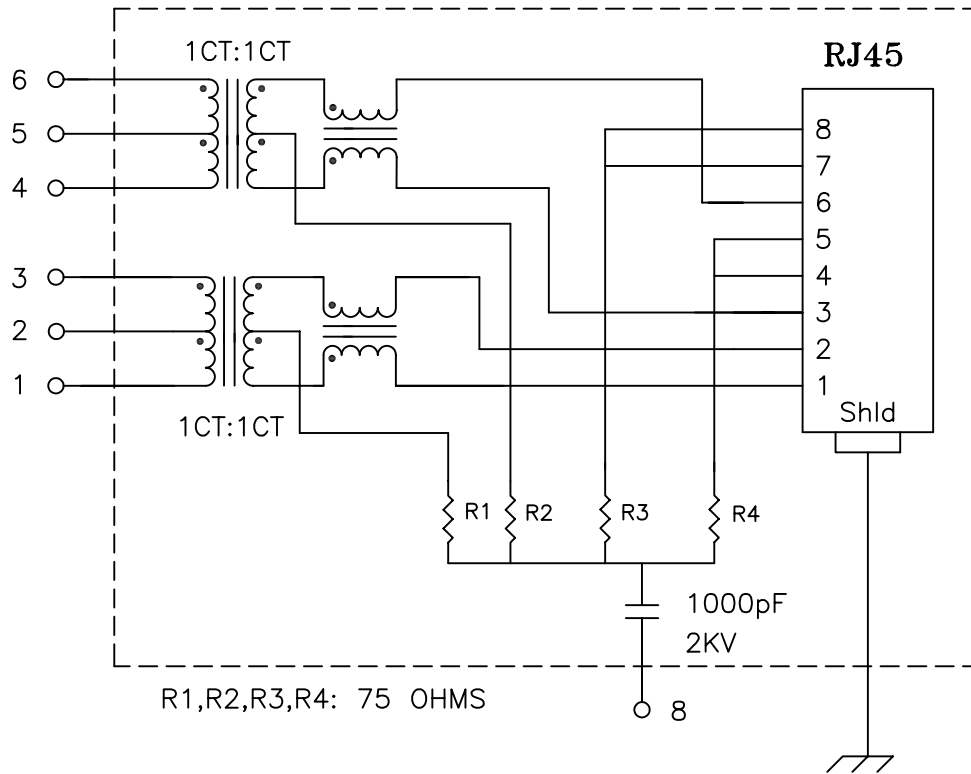


Schematic:



Electrical Specifications: @25°C

Isolation Voltage: 1500 Vrms (Input to Output)
 Isolation Voltage: 500 Vrms (P1+2+3 to P4+5+6)
 Turns Ratio: TX 1CT:1CT $\pm 3\%$ RX 1CT:1CT $\pm 3\%$
 CABLE SIDE OCL: 350uH Minimum @100KHz 100mV 8mADC
 Q: 18 Minimum @100KHz 100mV
 CABLE SIDE Cw/w: 30pF Max @1MHz 100mV
 CABLE SIDE LL: 0.300uH Max @1MHz 100mV, Short Sec
 DCR: (J6-J3)=(J2-J1) 1.2 Ohms Max
 Insertion Loss (100KHz-100MHz): -1.10dB Typ
 Return Loss: @1-30MHz -18dB Typ
 @60-80MHz -12dB Typ
 Cross Talk (1MHz-100MHz): -40dB Typ
 Common to Common Mode Attenuation: (30MHz-100MHz) -35dB Typ
 Rise Time: 1Vpeak Output 3.0nSec Max
 112nSec Pulse Width 3nSec Max

Notes:

1. Solderability: Leads shall meet MIL-STD-202G, Method 208H for solderability.
2. Flammability: UL94V-0
3. ASTM oxygen index: > 28%
4. UL Recognized Component: File Number E200238
5. Operating Temperature Range: All listed parameters are to be within tolerance from -40°C to +85°C
6. Storage Temperature Range: -55°C to +125°C
7. Aqueous wash compatible
8. Electrical and mechanical specifications 100% tested
9. RoHS Compliant Component

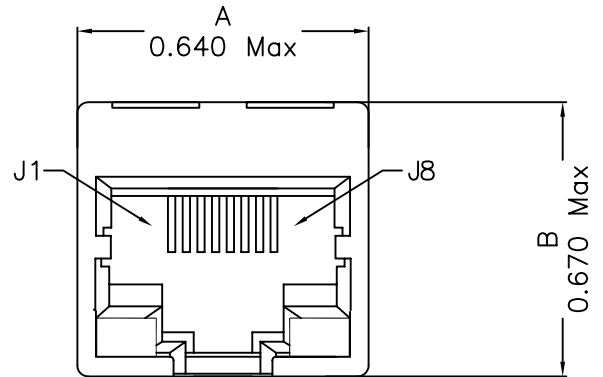
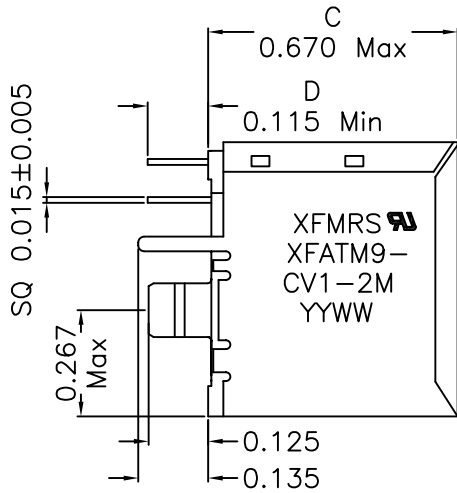
DOC. REV: A/4

PROPRIETARY:

Document is the property of XFMRs Group & is not allowed to be duplicated without authorization.

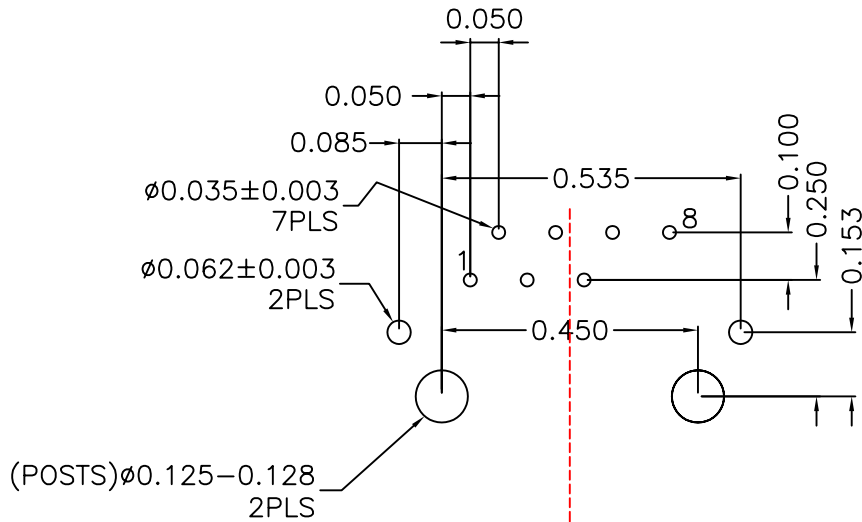
XFMRs Inc. www.XFMRs.com		Title: VERTICAL MOUNT COMBO	
UNLESS OTHERWISE SPECIFIED		P/N: XFATM9-CV1-2M	REV. A
TOLERANCES: .xxx ± 0.010		DWN. Mei Chen	Oct-28-10
Dimensions in Inch		CHK. YK Liao	Oct-28-10
SHEET 1 OF 2		APP. BW	Oct-28-10

Mechanical Dimensions:



Mounting Pattern:

*Remove Pin#7



P.C.B RECOMMENDED HOLE LAYOUT

DOC REV: A/4

XFMRs Inc. www.XFMRS.com	Title: Mechanical Dimensions For CV1-2M Series		
	UNLESS OTHERWISE SPECIFIED TOLERANCES: .xxx ±0.010 Dimensions in Inch	P/N: XFATM9-CV1-2M DWN. CHK. APP.	REV. A Mei Chen YK Liao BW
SHEET 2 OF 2			

PROPRIETARY:

Document is the property of XFMRs Group & is not allowed to be duplicated without authorization.