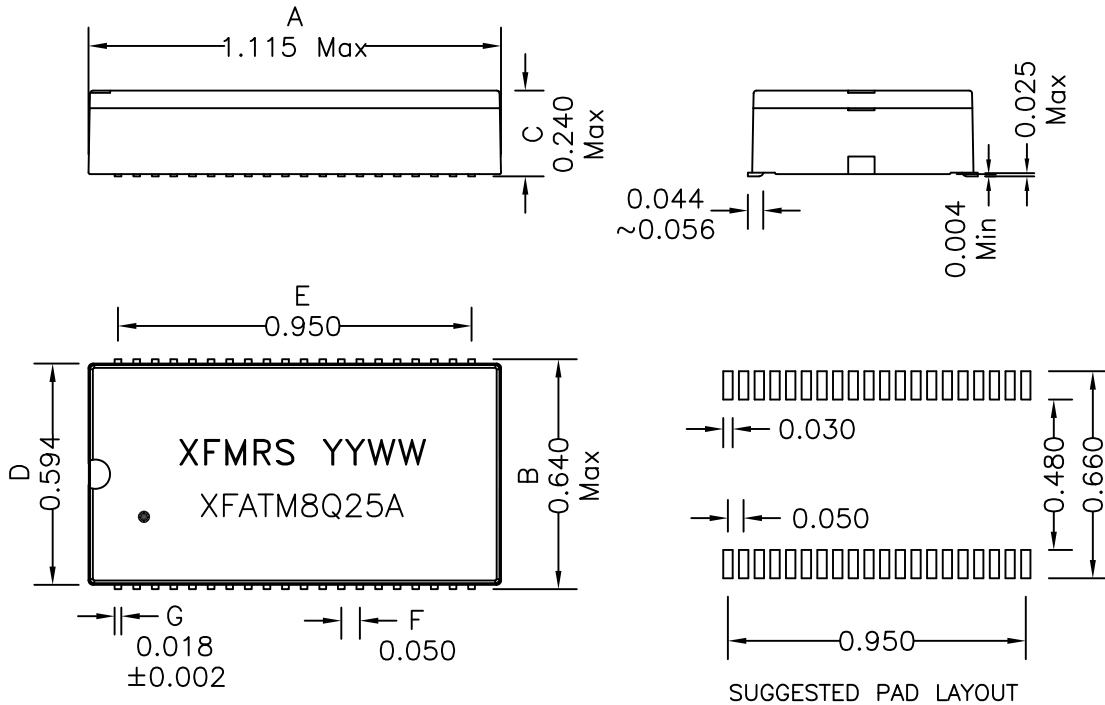
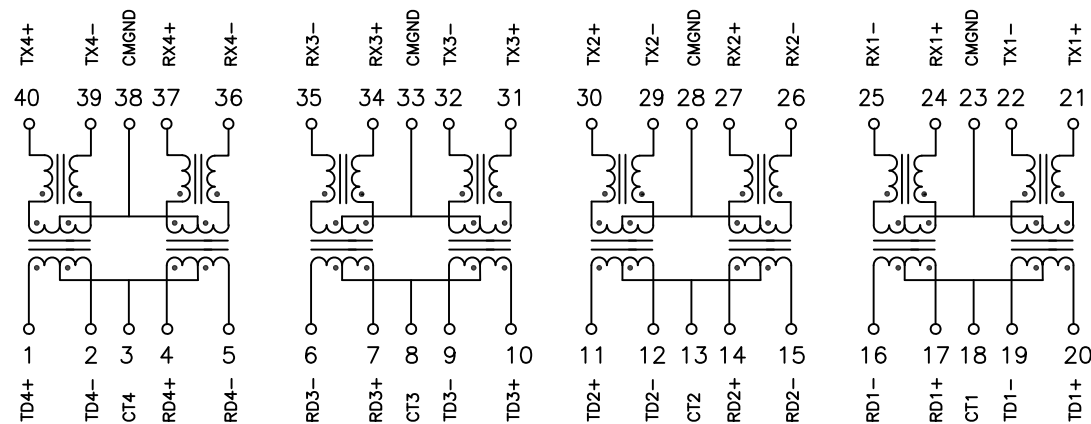


## 1. Mechanical Dimensions:



## 2. Schematic:



DOC. REV: B/2

## 3. Electrical Specifications: @25°C

Isolation: 1500Vrms (PRI to SEC)  
 TX Turns Ratio: 1CT:1CT (PRI:SEC)  
 RCV Turns Ratio: 1CT:1CT (PRI:SEC)  
 PRI OCL: 350uH Minimum @100KHz 100mV 8mAdc  
 Pri Q: 15 Min @10KHz 50mV  
 Insertion Loss: 1.0 dB Max @100KHz - 100MHz  
 Return Loss: -18dB Min, 2-30 MHz  
                   -14.4dB Min, 40 MHz  
                   -13.1dB Min, 50 MHz  
                   -12dB Min, 60-80 MHz  
 Crosstalk: -55dB Min, 1 KHz  
                   -45dB Min, 30 MHz  
                   -40dB Min, 60 MHz  
                   -33dB Min, 100 MHz  
 Differential to Common Mode Rejection:  
                   -37dB Min, 1-60 MHz  
                   -25dB Min, 60-200 MHz

### Notes:

- Solderability: Leads shall meet MIL-STD-202G, Method 208H for solderability.
- Flammability: UL94V-0
- ASTM oxygen index: > 28%
- Insulation System: Class H 180°C. UL file E151556
- Operating Temperature Range: All listed parameters are to be within tolerance from -40°C to +85°C
- Storage Temperature Range: -55°C to +125°C
- Aqueous wash compatible
- SMD Lead Coplanarity: ±0.004"(0.102mm)
- Electrical and mechanical specifications 100% tested
- RoHS Compliant Component
- Recommended IR Reflow peak temp of 250C Max.

<b>XFMRS Inc</b> www.XFMRS.com	Title: 10/100BASE-TX		
	UNLESS OTHERWISE SPECIFIED TOLERANCES:		REV. B
Dimensions in INCH	P/N: XFATM8Q25A	DWN. Yuan	Apr-12-13
SHEET 1 OF 1	CHK. YK Liao	APP. BSJ	Apr-12-13

**PROPRIETARY**

Document is the property of XFMRS Group & is not allowed to be duplicated without authorization.