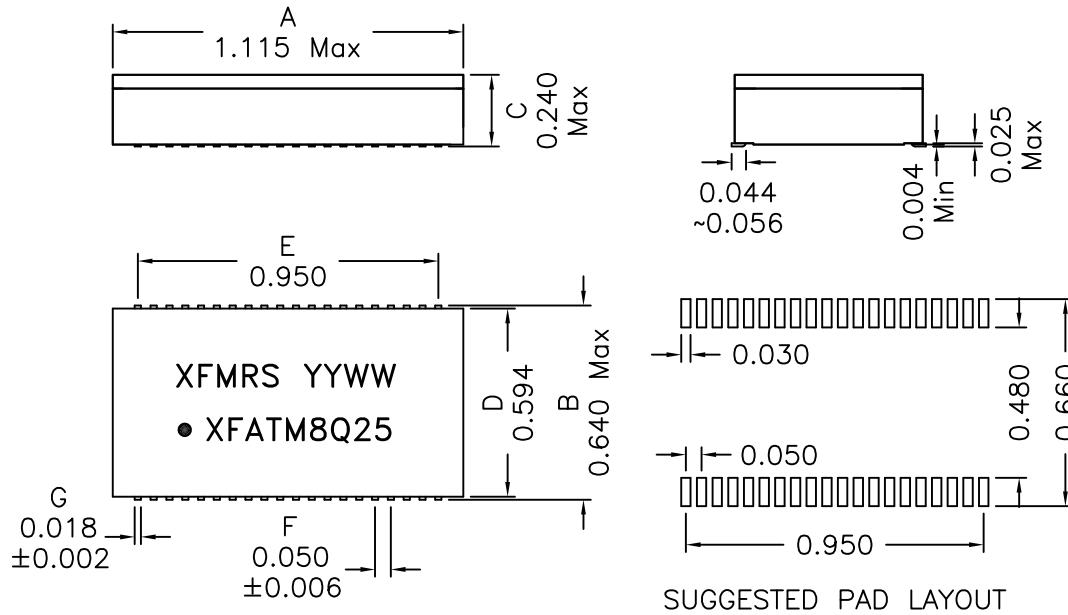


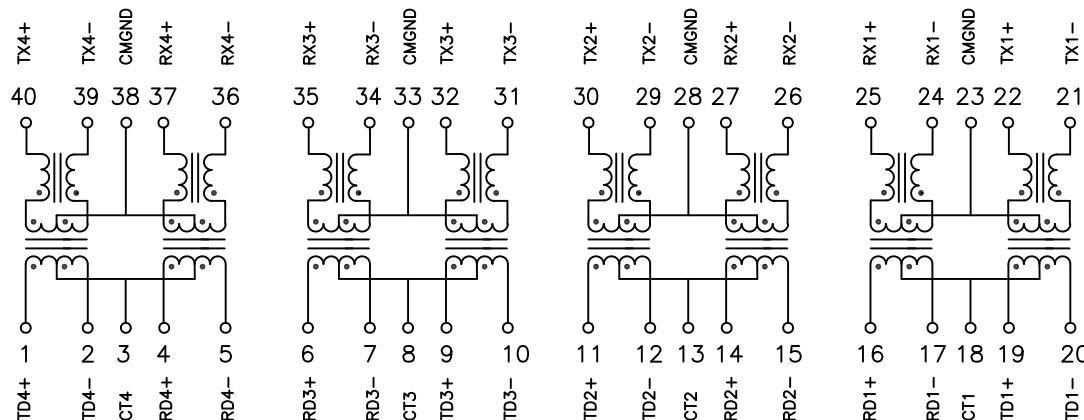
1. Mechanical Dimensions:



3. Electrical Specifications: @25°C

Isolation: 1500Vrms (PRI to SEC)
 TX Turns Ratio: 1CT:1CT (PRI:SEC)
 RCV Turns Ratio: 1CT:1CT (PRI:SEC)
 PRI OCL: 350uH Minimum @100KHz 100mV 8mAdc
 Insertion Loss: 1.0 dB Max @100KHz – 100MHz
 Return Loss: -18dB Min, 2–30 MHz
 -14.4dB Min, 40 MHz
 -13.1dB Min, 50 MHz
 -12dB Min, 60–80 MHz
 Crosstalk: -55dB Min, 1 KHz
 -45dB Min, 30 MHz
 -40dB Min, 60 MHz
 -33dB Min, 100 MHz
 Differential to Common Mode Rejection: -37dB Min, 1–60 MHz
 -25dB Min, 60–200 MHz
 Q: 5 Min @10KHz 50mV

2. Schematic:



Notes:

- Solderability: Leads shall meet MIL-STD-202G, Method 208H for solderability.
- Flammability: UL94V-0
- ASTM oxygen index: > 28%
- Insulation System: Class H 180°C. UL file E151556
- Operating Temperature Range: All listed parameters are to be within tolerance from -40°C to +100°C
- Storage Temperature Range: -55°C to +125°C
- Aqueous wash compatible
- SMD Lead Coplanarity: ±0.004" (0.102mm)
- Electrical and mechanical specifications 100% tested
- RoHS Compliant Component
- Recommended IR Reflow peak temp of 250C Max.

DOC. REV: B/3

XFMRS Inc www.XFMRS.com	Title: 10/100BASE-TX		
	UNLESS OTHERWISE SPECIFIED TOLERANCES:		REV. B
Dimensions in Inch	P/N: XFATM8Q25	DWN.	Yuan
		CHK.	YK Liao
		APP.	DDC
SHEET 1 OF 1			Jun-22-15

PROPRIETARY

Document is the property of XFMRS Group & is not allowed to be duplicated without authorization.