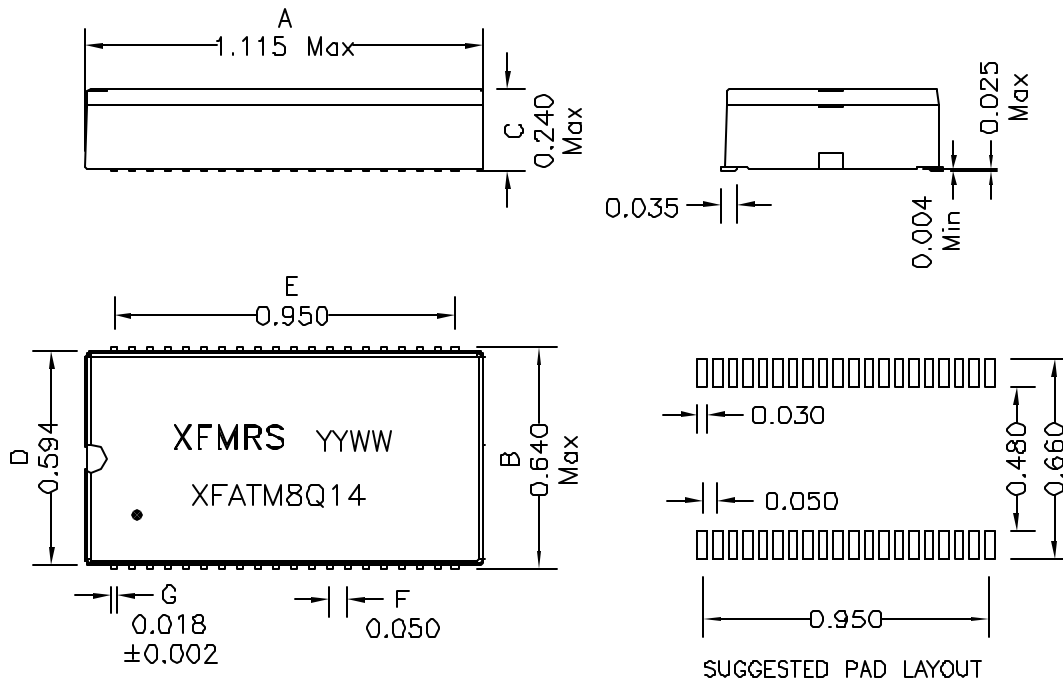


1. Mechanical Dimensions:

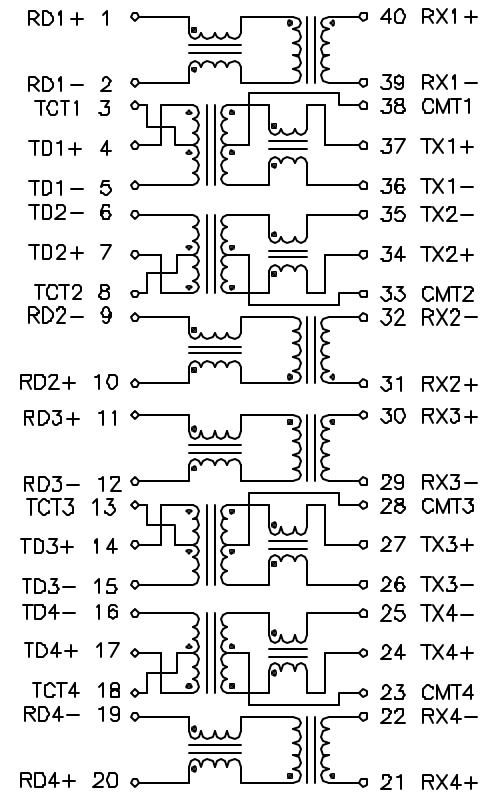


3. Electrical Specifications: @25°C

Turns Ratio: PRI/SEC TX 1CT:1CT ±3% RX 1:1 ±3%
 Isolation Voltage: 1500 Vrms (Input to Output)
 OCL: 350uH Minimum @100KHz, 100mV 8mADC
 INSERTION LOSS: -0.5dB Typ @0.1-100MHz
 RETURN LOSS: @2-30MHz -21dB Typ.
 @40MHz -17dB Typ. @50MHz -14.5dB Typ.
 @60-80MHz -12dB Typ.
 CROSSTALK: -65dB Typ. @1MHz
 -55dB Typ. @30MHz
 -45dB Typ @60MHz
 -35dB Typ. @100MHz
 CMRR: -30dB Typ. @100KHz-80MHz
 Differential to Common Mode Rejection:
 -40dB Typ. @100KHz-60MHz -30dB Typ. @60MHz-200MHz
 Q: 5 Min @10KHz 50mV

DOC. REV: B/1

2. Schematic:



Notes:

- Solderability: Leads shall meet MIL-STD-202G, Method 208H for solderability.
- Flammability: UL94V-0
- ASTM oxygen index: > 28%
- Insulation System: Class F 155°C, UL file E151556
- Operating Temperature Range: All listed parameters are to be within tolerance from -40°C to +85°C
- Storage Temperature Range: -55°C to +125°C
- Aqueous wash compatible
- SMD Lead Coplanarity: ±0.004" (0.102mm)
- Electrical and mechanical specifications 100% tested
- RoHS Compliant Component

XFMRS Inc www.XFMRS.com		Title: Quad Port 10/100BASE-TX Module	
UNLESS OTHERWISE SPECIFIED TOLERANCES: .xxx ±0.010 Dimensions in INCH	P/N: XFATM8Q14	REV. B	
	DWN.	Feng	Aug-16-11
SHT 1 OF 1	CHK.	YK Liao	Aug-16-11
	APP.	Joe Huff	Aug-16-11