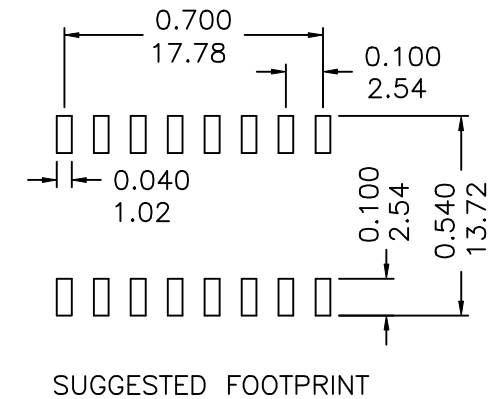
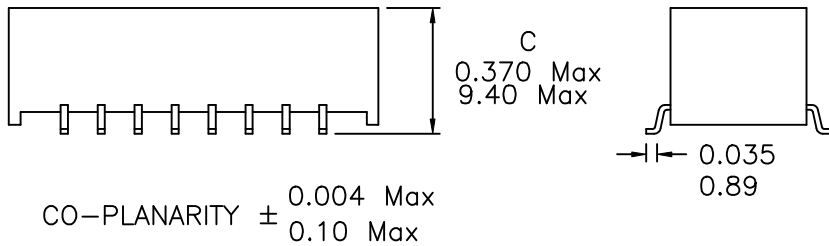
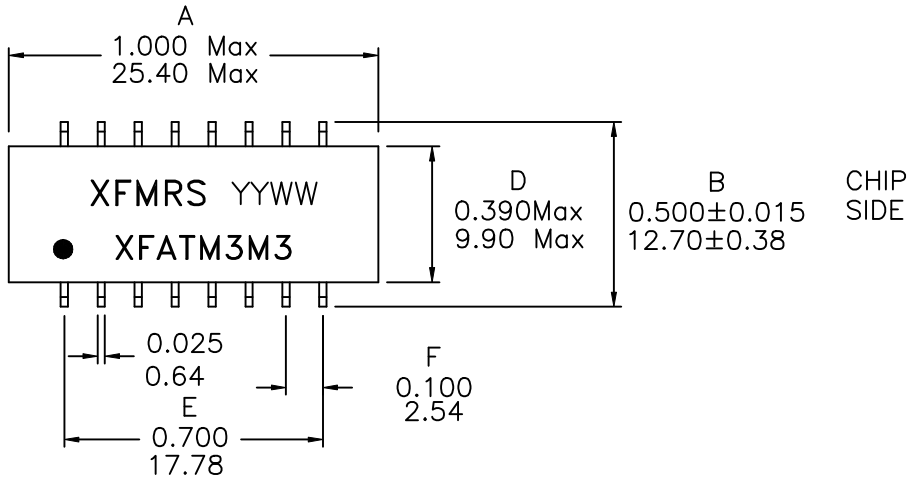


1. Dimensions:

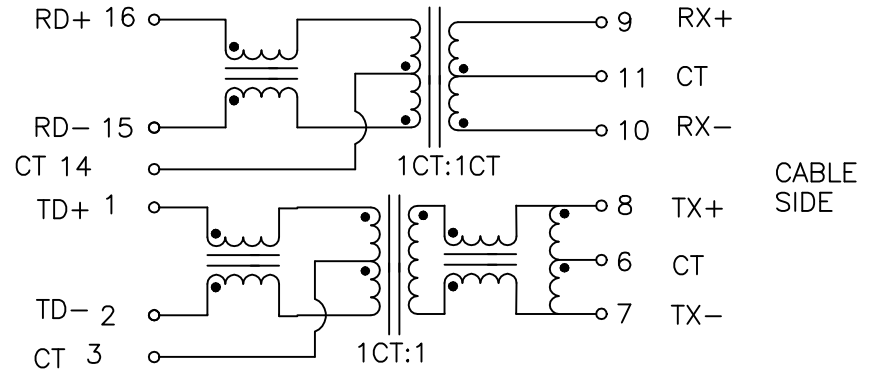


Notes:

1. Solderability: Leads shall meet MIL-STD-202, Method 208D for solderability.
2. Flammability: UL94V-0
3. ASTM oxygen index: > 28%
4. Insulation System: Class F 155°C. UL file E151556
5. Operating Temperature Range: All listed parameters are to be within tolerance from -40°C to +85°C
6. Storage Temperature Range: -55°C to +125°C
7. Aqueous wash compatible

Doc Rev: B/1

2. Schematic:



3. Electrical Specifications: @25°C

Isolation Voltage: 1500 Vrms
 CHIP SIDE OCL: 350uH Minimum @100KHz 100mV 8mADC
 Rise Time (10-90%): 3.0ns Maximum
 Insertion Loss @80MHz: -2.0dB Maximum
 Return Loss: @60MHz -12dB Min.
 Common Mode Rejection:
 @50MHz -45dB Typ.(Tx) / -45dB Typ.(Rx)
 @100MHz -42dB Typ.(Tx) / -42dB Typ.(Rx)
 @200MHz -26dB Typ.(Tx) / -26dB Typ.(Rx)
 @400MHz -17dB Typ.(Tx) / -17dB Typ.(Rx)
 Crosstalk: @100MHz -40dB Min.
 Impedance: 100 OHM

XFMRS Inc	Title: 100BASE-X MODULE	
	P/N: XFATM3M3	REV. B
UNLESS OTHERWISE SPECIFIED TOLERANCES: .xxx ±0.010 Inch Dimensions in Inch/mm	DWN.	李小锋 Jun-11-03
	CHK.	廖玉坤 Jun-11-03
SCALE 2:1 SHT 1 OF 1	APP. BW	Jun-11-03