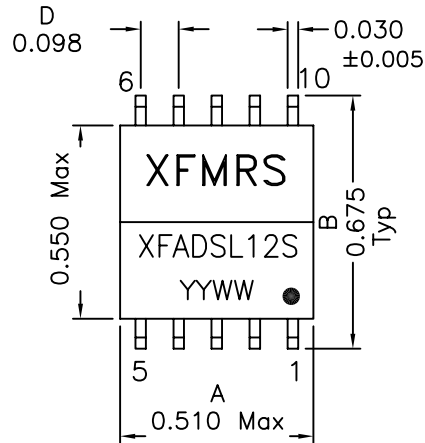
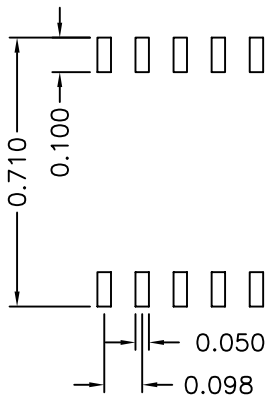


1. Dimensions:



CO-PLANARITY: 0.004 Max



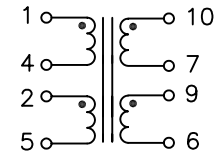
Suggested PCB Layout

Note: Designed to meet UL1950 Supplementary Insulation requirements for a working voltage up to 250V.

DOC. REV B/3

2.Schematic:

Line Side Chip Side



3.Electrical Specifications: @25°C

Isolation: 2000Vrms

PIN10-6 OCL: 430uH±10% @10KHz 100mV

(CONNECT PIN7-9)

TURNS RATIO: (10-6):(1-5)=1CS:1CS ±2%

DCR: 1-4,2-5 0.45 Ohms Max

DCR: 10-7,9-6 0.35 Ohms Max

Leakage L: 1-5 10uH Max @ 100KHz, 0.1V

(Short Pins 2-4,7-9,10-6)

Long. Bal.: 25KHz-1.1MHz 40dB Min

THD: -80dB @100KHz

Insertion Loss: 0.5dB Max @772KHz

Notes:

1. Solderability: Leads shall meet MIL-STD-202G, Method 208H for solderability.
2. Flammability: UL94V-0
3. ASTM oxygen index: > 28%
4. Insulation System: Class F 155°C. UL file E151556
5. Operating Temperature Range: All listed parameters are to be within tolerance from -40°C to +85°C
6. Storage Temperature Range: -55°C to +125°C
7. Aqueous wash compatible
8. SMD Lead Coplanarity: ±0.004"(0.102mm)
9. Electrical and mechanical specifications 100% tested
10. RoHS Compliant Component

XFMRs Inc www.XFMRs.com		Title: ADSL TRANSFORMER	
UNLESS OTHERWISE SPECIFIED TOLERANCES: .xxx ±0.010 Dimensions in INCH		P/N: XFADSL12S	REV. B
SHEET 1 OF 1		DWN. 廖玉坤	Feb-03-10
		CHK. 李清儿	Feb-03-10
		APP. BW	Feb-03-10