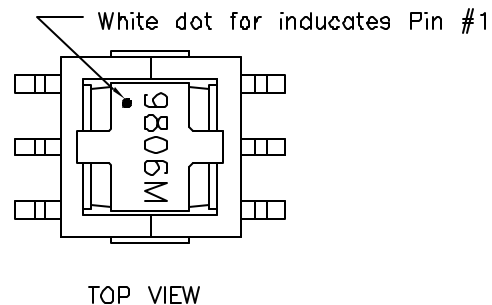
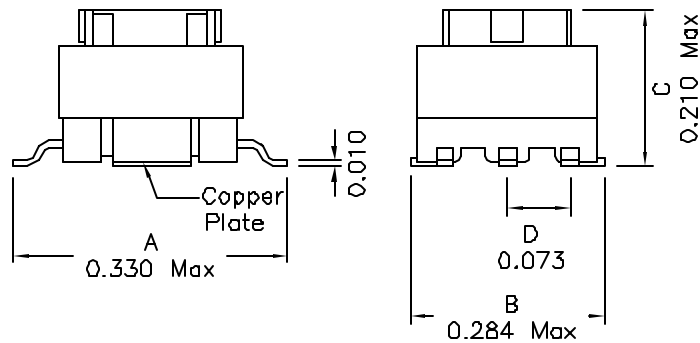
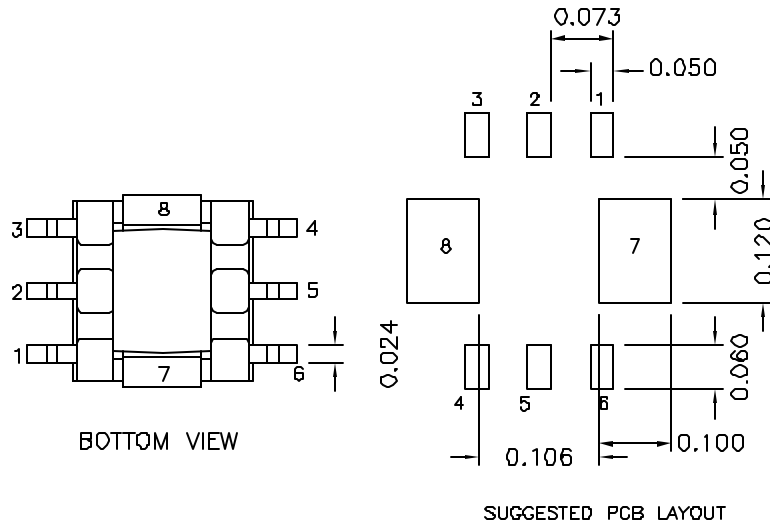
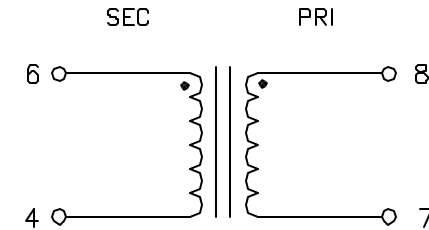


1. Mechanical Dimensions:



2. Schematic:



3. Electrical Specifications:

OCL: Pins 6-4 980uH Min @100KHz 0.1V

DCR: Pins 6-4 4.75 Ohms Max

Turns Ratio: Pins (6-4):(8-7)=70:1

Rated: 20Adc (Based on 40°C Typ Temp Rise)

HIPOT: 500Vac, Wire to Clip

Notes:

1. Solderability: Leads shall meet MIL-STD-202G, Method 208H for solderability.
2. Flammability: UL94V-0
3. ASTM oxygen index: > 28%
4. Insulation System: Class F 155°C. UL file E151556
5. Operating Temperature Range: All listed parameters are to be within tolerance from -40°C to +85°C
6. Storage Temperature Range: -55°C to +125°C
7. Aqueous wash compatible
8. SMD Lead Coplanarity: $\pm 0.004^{\circ}$ (0.102mm)
9. Electrical and mechanical specifications 100% tested
10. RoHS Compliant Component

XFMRs Inc www.XFMRs.com	Model: Current Sense Xfmr		
Unless Otherwise Specified	P/N:XF9806M-EE5CS	REV. A	
TOLERANCES: .xxx ± 0.010	DWN.	罗振江	Aug-23-06
Dimensions in INCH	CHK.	廖玉坤	Aug-23-06
SHEET 1 OF 1	APP.	BW	Aug-23-06

DOC REV: A/1

PROPRIETARY Document is the property of XFMRs Group & is not allowed to be duplicated without authorization.