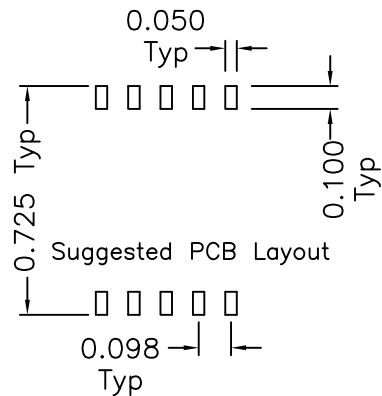
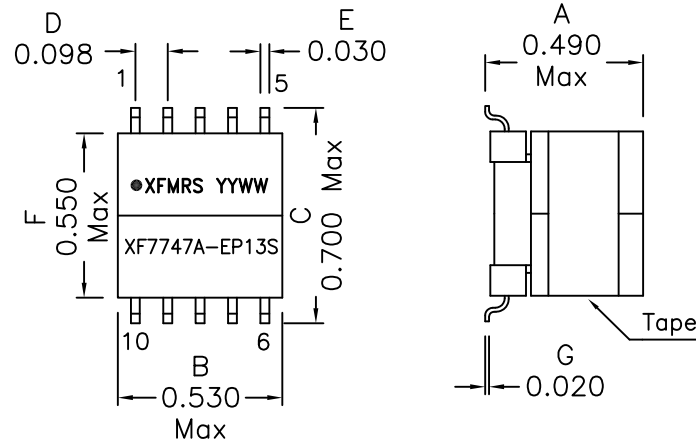
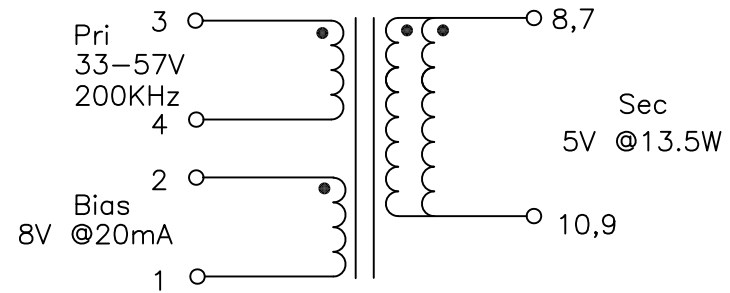


1. Mechanical Dimensions:



2. Schematic:



3. Electrical Specifications: @25°C

OCL: Pins 3-4 77.4uH±10% @200KHz 0.1V

Q: Pins 3-4 50 Min @200KHz 0.1V

LL: Pins 3-4 0.8uH Max @200KHz 0.1V, (Short All Else)

Cw/w: Pins 3-10 60pF Max @100KHz 0.1V (short pri; sec)

DCR: Pins 3-4 0.220 Ohms Max

Pins 2-1 0.250 Ohms Max

Pins 8-10 0.036 Ohms Max

Pins 7-9 0.036 Ohms Max

Turns Ratio: Pins (3-4):(7,8-9,10):(2-1) = 1.0: 0.272: 0.681

Hipot: 1500Vrms Pri & Bias to Sec

Notes:

1. Solderability: Leads shall meet MIL-STD-202G, Method 208H for solderability.
2. Flammability: UL94V-0
3. ASTM oxygen index: > 28%
4. Insulation System: Class F 155°C. UL file E151556
5. Operating Temperature Range: All listed parameters are to be within tolerance from -40°C to +130°C
6. Storage Temperature Range: -55°C to +125°C
7. Aqueous wash compatible
8. SMD Lead Coplanarity: ±0.004"(0.102mm)
9. Electrical and mechanical specifications 100% tested
10. RoHS Compliant Component
11. Recommended IR Reflow peak temp of 250C Max

DOC. REV: A/1

XFMRs Inc www.XFMRs.com		Title: High Frequency Transformer	
UNLESS OTHERWISE SPECIFIED		P/N: XF7747A-EP13S	REV. A
TOLERANCES: .xxx ±0.010		DWN.	Yuan Jun-28-13
Dimensions in INCH		CHK.	YK Liao Jun-28-13
SHEET 1 OF 1		APP.	BSJ Jun-28-13