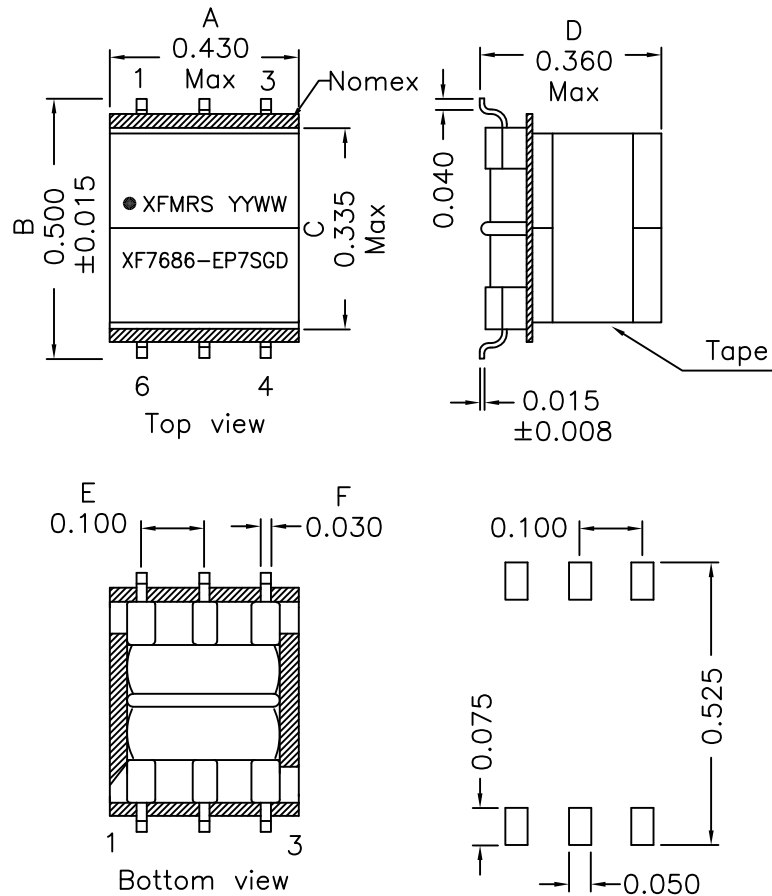
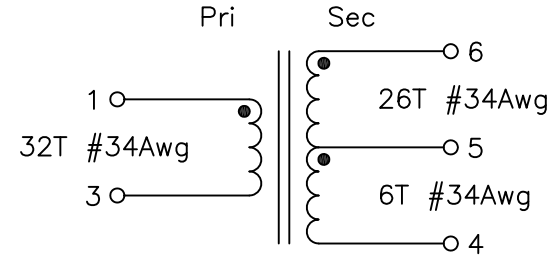


## 1. Mechanical Dimensions:



## 2. Schematic:



## 3. Electrical Specifications: @25°C

OCL: Pins 1-3 768uH Min @100KHz, 0.2V

Q: Pins 1-3 40 Min @100KHz, 0.2V

LL: Pins 1-3 30uH Max @100KHz, 0.1V Short Sec

CW/w: Pins 1-6 8.0pF Max @100KHz, 0.1V

DCR: Pins 1-3 0.530 Ohms Max

Pins 5-4 0.120 Ohms Max

Pins 6-5 0.420 Ohms Max

Turns Ratio: (1-3):(6-5):(5-4)=1.000:0.813:0.188±2%

Hipot: 2500Vac, Pri to Sec

### Notes:

- Solderability: Leads shall meet MIL-STD-202G, Method 208H for solderability.
- Flammability: UL94V-0
- ASTM oxygen index: > 28%
- Insulation System: Class F 155°C. UL file E151556
- Operating Temperature Range: All listed parameters are to be within tolerance from -40°C to +105°C
- Storage Temperature Range: -55°C to +125°C
- Aqueous wash compatible
- SMD Lead Coplanarity: ±0.004"(0.102mm)
- Electrical and mechanical specifications 100% tested
- RoHS Compliant Component
- Recommended IR Reflow peak temp of 250°C Max.

DOC. REV: A/2

<b>XFMRs Inc</b> www.XFMRs.com	Title: TRANSFORMER		
	UNLESS OTHERWISE SPECIFIED TOLERANCES: .xxx ±0.010 Dimensions in Inch	P/N: XF7686-EP7SGD	REV. A
SHEET 1 OF 1	DWN.	Yuan	Jul-02-14
	CHK.	YK Liao	Jul-02-14
	APP.	BW	Jul-02-14

**PROPRIETARY**

Document is the property of XFMRs Group & is not allowed to be duplicated without authorization.