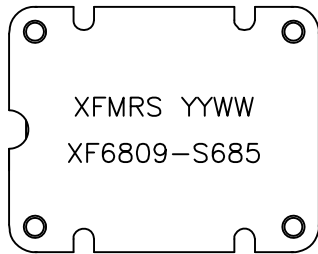
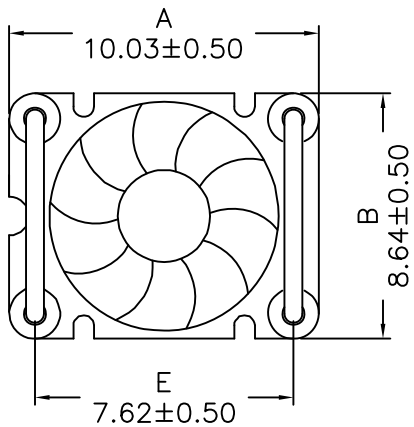
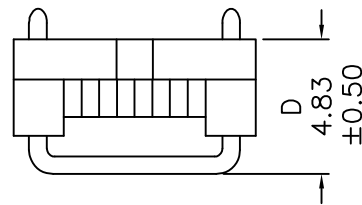
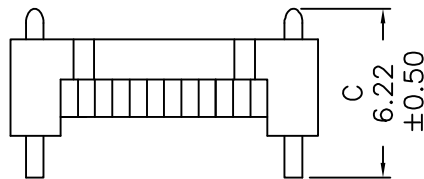


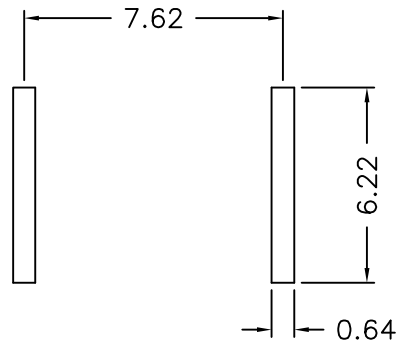
1. Mechanical Dimensions:



Top view

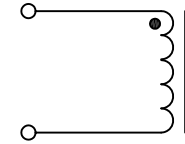


Bottom view



Footprint

2. Schematic:



3. Electrical Specifications: @25°C

OCL: 0.680uH±15% @10MHz, 0.1V

Q: 140 Min @10MHz, 0.1V

180 Min @20MHz, 0.1V

160 Min @30MHz, 0.1V

DCR: 41 mOhms Nom

SRF: 150MHz Typ

Notes:

1. Solderability: Leads shall meet MIL-STD-202G, Method 208H for solderability.
2. Flammability: UL94V-0
3. ASTM oxygen index: > 28%
4. Insulation System: Class F 155°C. UL file E151556
5. All listed parameters are to be within tolerance from -40°C to +85°C unless otherwise noted.
6. Storage Temperature Range: -55°C to +125°C
7. Aqueous wash compatible
8. Electrical and mechanical specifications 100% tested
9. RoHS Compliant Component

DOC. REV: A/1

XFMRS Inc www.XFMRS.com	Title: INDUCTOR		
	UNLESS OTHERWISE SPECIFIED TOLERANCES: .xx ±0.25 Dimensions in MM	P/N: XF6809-S685	REV. A
SHEET 1 OF 1	DWN.	Yuan	Apr-15-15
	CHK.	YK Liao	Apr-15-15
	APP.	BW	Apr-15-15

PROPRIETARY

Document is the property of XFMRS Group & is not allowed to be duplicated without authorization.