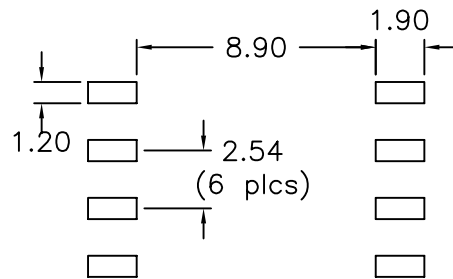
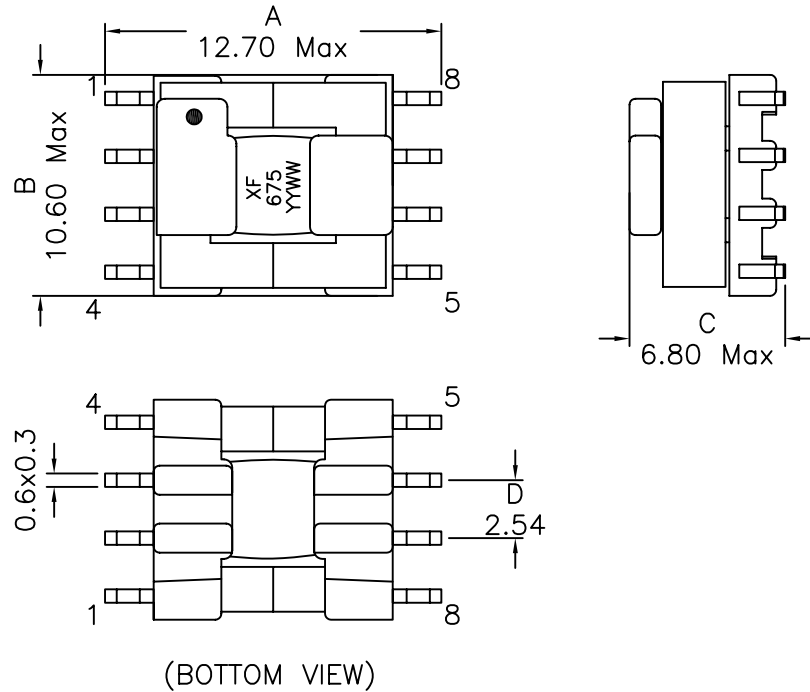


1. Mechanical Dimensions:

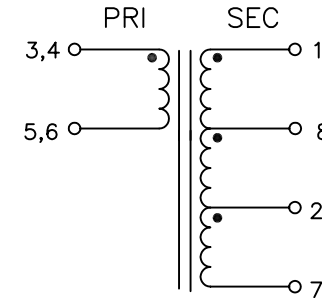


(SUGGESTED PAD LAYOUT)

Notes:

- Solderability: Leads shall meet MIL-STD-202G, Method 208H for solderability.
- Flammability: UL94V-0
- ASTM oxygen index: > 28%
- Insulation System: Class F 155°C. UL file E151556
- Operating Temperature Range: All listed parameters are to be within tolerance from -40°C to +85°C
- Storage Temperature Range: -55°C to +125°C
- Aqueous wash compatible
- SMD Lead Coplanarity: $\pm 0.004''$ (0.102mm)
- Electrical and mechanical specifications 100% tested
- RoHS Compliant Component

2. Schematic:



3. Electrical Specifications: @25°C

OCL: Pins 3,4-5,6 675-850nH $\pm 10\%$ @100KHz 0.1V, Ls Scale
 LL: Pins 3,4-5,6 0.16uH Max @100KHz 10mV, Ls Scale,
 Short all else

DCR: Pins 3-6 0.060 Ohms Max

DCR: Pins 4-5 0.070 Ohms Max

DCR: Pins 1-8 0.440 Ohms Max

DCR: Pins 8-2 0.480 Ohms Max

DCR: Pins 2-7 0.520 Ohms Max

URNS RATIO: Pins (3-6):(4-8):(1-8):(8-2):(2-7)=
 1.000:1.000:2.667:2.667:2.667 $\pm 5\%$

HIPOT: 500Vac, PRI to SEC, All Wdgs to Core

XFMRs Inc www.XFMRS.com	Title: Flyback Transformer		
	UNLESS OTHERWISE SPECIFIED TOLERANCES: .xx ± 0.25 Dimensions in MM	P/N: XF6759-E8	REV. A
SHEET 1 OF 1	DWN.	Juan Mao	Jul-08-09
	CHK.	YK Liao	Jul-08-09
	APP.	BW	Jul-08-09

DOC REV: A/1