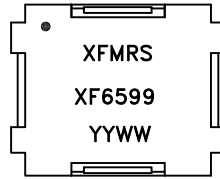
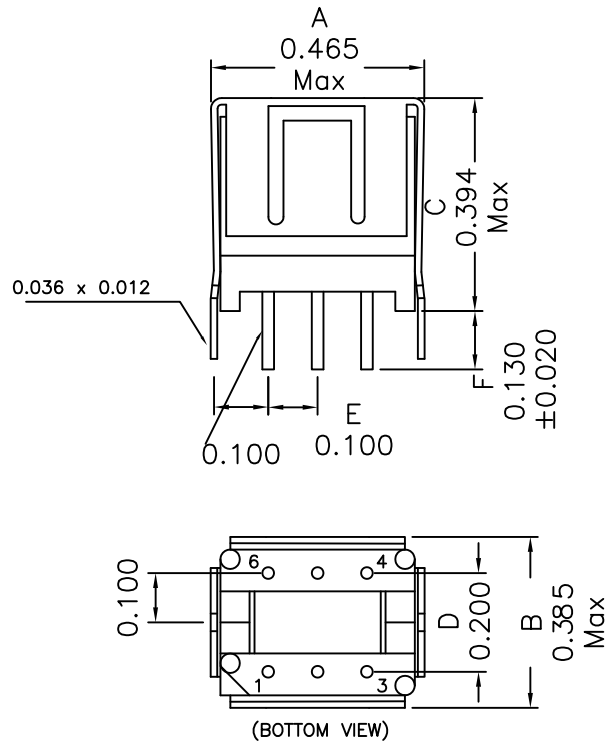
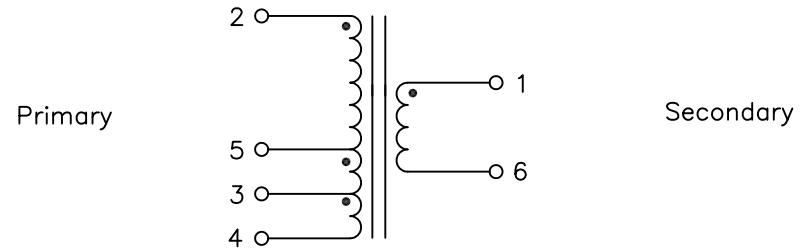


1. Mechanical Dimensions:



2. Schematic:



3. Electrical Specifications:

- OCL: P(2-5) 1.3mH Min. 10KHz 1.0V, Ls
- OCL: P(2-5) 650uH Min. 10KHz 1.0V @-40°C to +85°C
- LL: P(1-6) 0.5uH Max. 10KHz 0.1V Short Pins 2-4
- DCR: P(2-4) 0.96-1.55 ohms
- DCR: P(1-6) 0.75-1.15 ohms
- HIPOT: 1650Vdc Pri to Sec, Wdgs to Core
- LB: 40dB Min @1MHz
- Freq. Resp.: ±0.15dB @50KHz-3MHz, Ref. 772KHz
- Insertion Loss: 0.25dB Max @772KHz, 75 Ohms on PRI
- Return Loss: 18dB Min @PRI vs. appropriate ref. resistance, 75 Ohms on SEC, 100KHz-2MHz.
- Turns Ratio: (1-6):(2-5):(2-4):(2-3) = 1:1:1.26:1.16 ±2%
- Designed to reflect: 75/100/120 Ohms on PRI with 75 Ohms on SEC.

Notes:

1. Solderability: Leads shall meet MIL-STD-202G, Method 208H for solderability.
2. Flammability: UL94V-0
3. ASTM oxygen index: > 28%
4. Insulation System: Class F 155°C. UL file E151556
5. Operating Temperature Range: All listed parameters are to be within tolerance from -40°C to +85°C
6. Storage Temperature Range: -55°C to +125°C
7. Aqueous wash compatible
8. Electrical and mechanical specifications 100% tested
9. RoHS Compliant Component

DOC. REV B/6

XFMRS Inc www.XFMRS.com		Title: EP7 TRANSFORMER	
UNLESS OTHERWISE SPECIFIED		P/N: XF6599	REV. B
TOLERANCES: .xxx ±0.010		DWN.	Juan Mao Jan-17-07
Dimensions in Inch		CHK.	YK Liao Jan-17-07
SCALE 4:1 SHT 1 OF 1		APP.	BW Jan-17-07