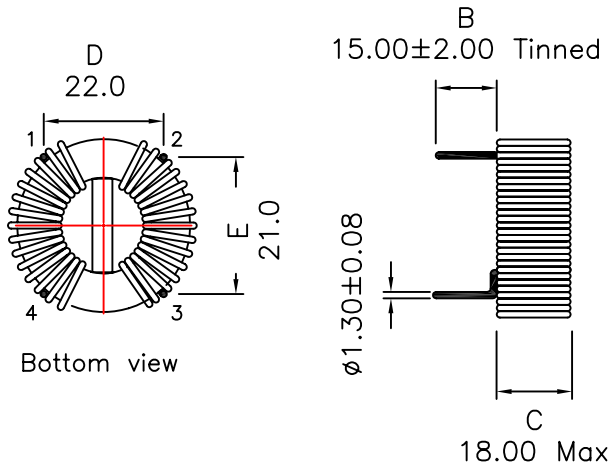
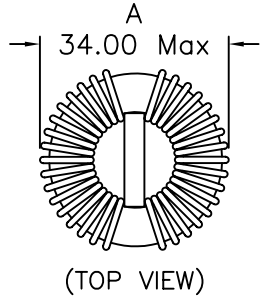


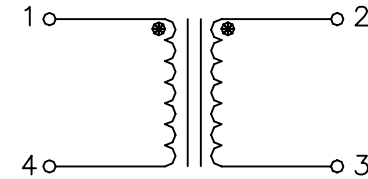
## 1. Mechanical Dimensions:



### Notes:

1. Solderability: Leads shall meet MIL-STD-202G, Method 208H for solderability.
2. Flammability: UL94V-0
3. ASTM oxygen index: > 28%
4. Insulation System: Class F 155°C. UL file E151556
5. Operating Temperature Range: All listed parameters are to be within tolerance from -40°C to +85°C
6. Storage Temperature Range: -55°C to +125°C
7. Aqueous wash compatible
8. Electrical and mechanical specifications 100% tested
9. RoHS Compliant Component
10. Lead spacing is uncontrolled.

## 2. Schematic:



## 3. Electrical Specifications: @25°C

OCL: 600uH Min @10KHz 0.1V, Each Wdg

DCR: 8mOhms Max, Each Wdg

Rated Current: 9A (40°C Temp Rise Max)

Hi-pot: 2400Vac for 2 Sec Wdg to Wdg

Rated Voltage: 250VAC/VDC

DOC REV: A/1

<b>XFMRs Inc.</b> www.XFMRS.com	Title: <b>COMMON MODE CHOKE</b>		
	UNLESS OTHERWISE SPECIFIED TOLERANCES: .xx ±0.25 Dimensions in MM	P/N: XF6006-HOCMC	REV. A
	DWN.	Juan Mao	Mar-21-11
	CHK.	YK Liao	Mar-21-11
SHEET 1 OF 1	APP.	BW	Mar-21-11